

# USERS GUIDE

## WIZARD INTERFACE BOARD

### PRODUCT DESCRIPTION

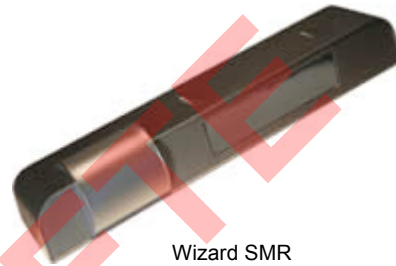
The Wizard Interface Board (PN: 10IFBWIZARD) allows the retrofit of the Wizard to older sliding door controls that utilize AC switching voltages for activation and safety. For example: Horton 2160 control, Keane Monroe 7000, Gyrotech Whisper Slide, Stanley Dyna-Glide\*. The Interface board is connected to the Wizard as shown below. The Brown and Blue wires from the Wizard connect to the Brown and Blue wires of the Interface board respectfully. This allows the interface to provide a relay output (dry contact) on the Green (N/O) and White (Com) wires. The Green and White wires can then be connected to the activation or safety inputs on the door control. The Red and Black wires connect to the same power source as the Wizard, provided that it is 24 volts AC or DC.

\*Note: This is not intended as a complete list of older door controls.

### COMPONENTS



Wizard Interface Board



Wizard SMR

### SAFETY PRECAUTIONS

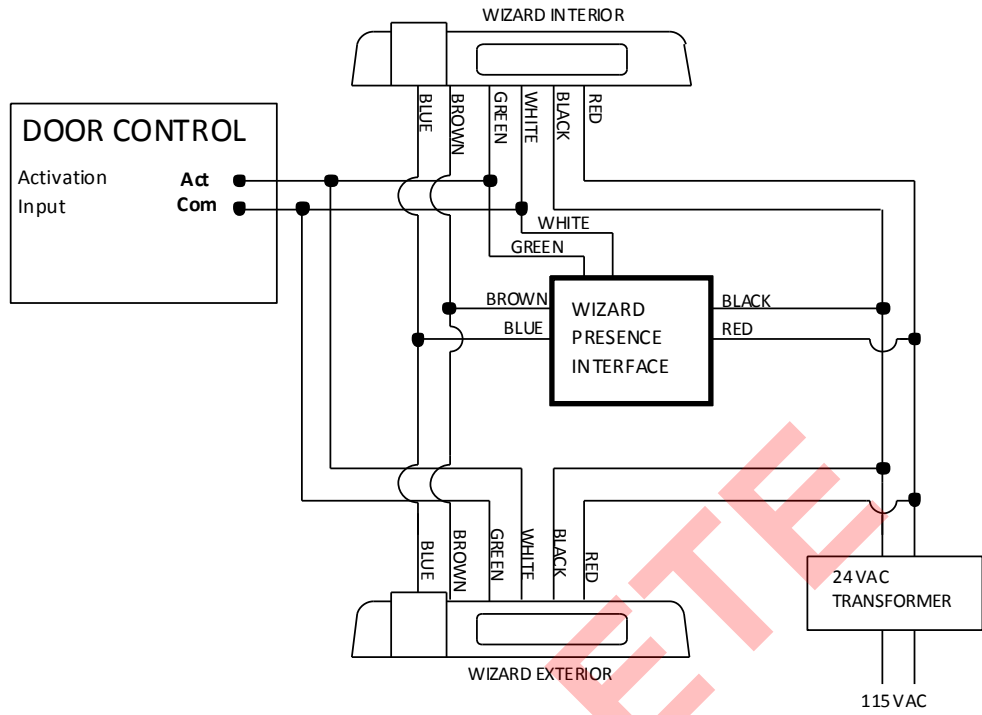


- Shut off all power going to the header before attempting any wiring procedures.
- Maintain a clean & safe environment when working in public areas.
- Constantly be aware of pedestrian traffic around the door area.
- Always stop pedestrian traffic through the doorway when performing tests that may result in unexpected reactions by the door.
- Always check placement of all wiring before powering up to insure that moving door parts will not catch any wires and cause damage to equipment.
- Ensure compliance with all applicable safety standards (i.e. ANSI A156.10) upon completion of installation.

### COMPANY CONTACT

If after troubleshooting a problem, a satisfactory solution cannot be achieved, please call B.E.A., Inc. for further assistance during Eastern Standard Time at **1-800-523-2462 from 7am - 5pm**.  
**For after-hours, call East Coast: 1-866-836-1863 or 1-800-407-4545 / Mid-West: 1-888-308-8843 / West Coast: 1-909-596-3011. DO NOT** leave any problem unresolved. If you must wait for the following workday to call B.E.A., leave the door inoperable until satisfactory repairs can be made.  
**NEVER** sacrifice the safe operation of the automatic door or gate for an incomplete solution.

### MOTION AND PRESENCE PARALLELED



### MOTION AND PRESENCE SEPARATED

