

KNOWING-ACT PRODUCTS

DIMENSIONS & COMPATIBILITY REFERENCE GUIDE

PURPOSE

To provide a quick reference for dimensions and compatibility information for applicable products.

SCOPE

1. Knowing act devices (push plates and touchless actuators)
2. Associated accessories

Please refer to the appropriate User's Guide or Cut Sheet for more information regarding the products.

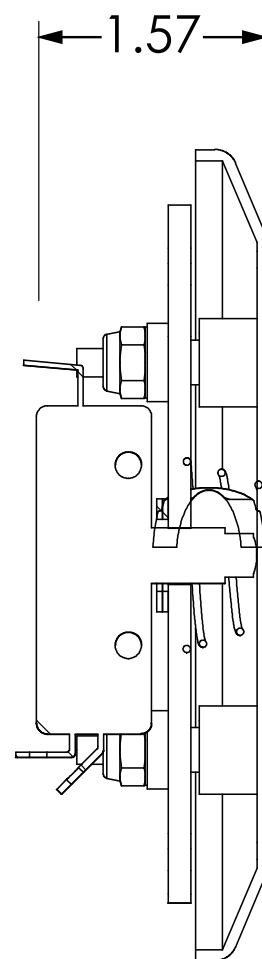
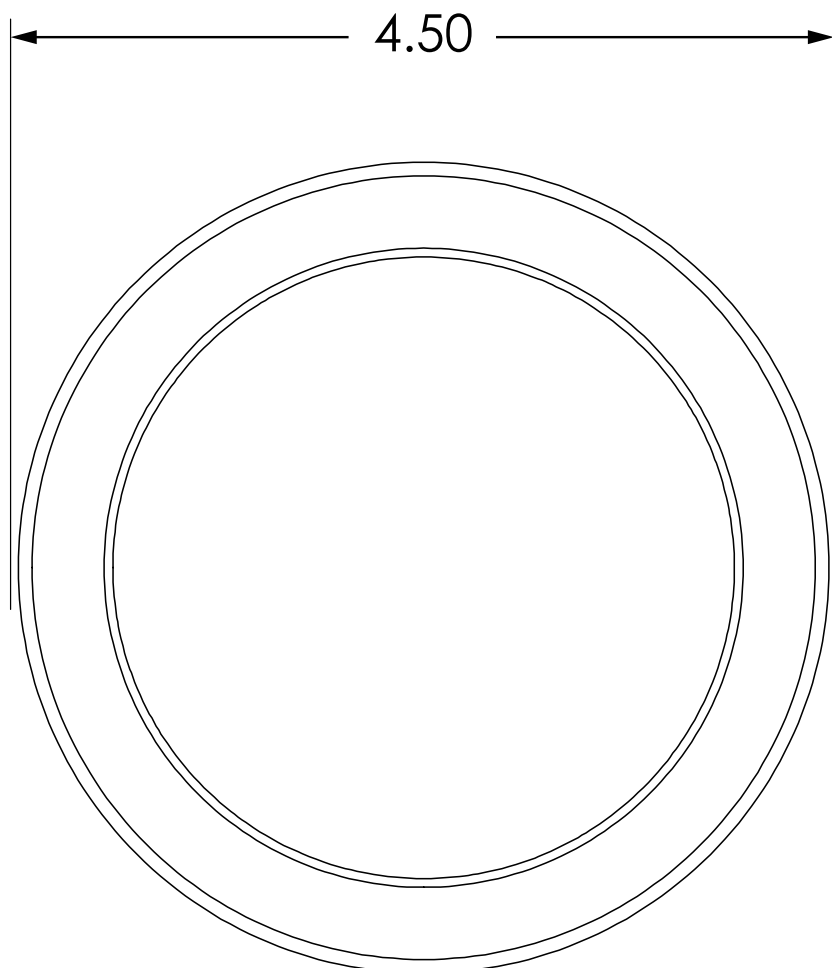
DEVICES

4 ½" ROUND	3	MS31 (6" ROUND)	20
4 ½" SQUARE	4	MS41 (JAMB)	21
4 ¾" SQUARE	5	MS41 (SINGLE GANG)	22
6" ROUND	6	MS41 (4 ½" SQUARE)	23
6" SQUARE	7	MS41 (6" ROUND)	24
SINGLE GANG	10	MS51 (JAMB)	25
4 ¾" × 1 ½" JAMB	9	MS51 (SINGLE-GANG)	26
4 ½" × 1 ¾" JAMB	10	MS51 (DOUBLE-GANG)	27
VESTIBULE	11	MS51 (6" ROUND)	28
LPR36	12	ACCESS CONTROL PUSH BUTTONS	29
PANTHER 4 ¾" ROUND	13	PNEUMATIC PUSH BUTTONS (SINGLE GANG)	30
PANTHER 4 ¾" SQUARE	14	PNEUMATIC PUSH BUTTONS (JAMB)	31
PANTHER 6" ROUND	15	PIEZO BUTTON	32
MS09	16	KEYSWITCHES (SINGLE GANG)	33
MS31 (JAMB)	17	KEYSWITCHES (JAMB)	34
MS31 (SINGLE GANG)	18	COMBO PLATE	35
MS31 (DOUBLE GANG)	19	KEYPADS	36

ACCESSORIES

SINGLE GANG, SURFACE-MOUNT BOX	37	DOUBLE GANG, NON-METALLIC BOX	50
DOUBLE GANG, SURFACE-MOUNT BOX	38	4 ¾" × 1 ½" JAMB, FLUSH-MOUNT BOX	51
4 ½" ROUND, FLUSH-MOUNT BOX	39	4 ¾" × 1 ½" JAMB, SURFACE-MOUNT BOX	52
4 ½" ROUND, SURFACE-MOUNT BOX	40	4 ½" × 1 ¾" JAMB, SURFACE-MOUNT BOX	53
4 ½" SQUARE, FLUSH-MOUNT BOX	41	MAGIC SWITCH SINGLE-GANG, SURFACE-MOUNT BOX	54
4 ½" SQUARE, SURFACE-MOUNT BOX	42	MAGIC SWITCH DOUBLE-GANG, SURFACE-MOUNT BOX	55
4 ¾" SQUARE, FLUSH-MOUNT BOX	43	MAGIC SWITCH 6" ROUND, SURFACE-MOUNT BOX	56
4 ¾" SQUARE, SURFACE-MOUNT BOX	44	MAGIC SWITCH JAMB, SURFACE-MOUNT BOX	57
4 ¾" SQUARE, EASY BATTERY ACCESS BOX	45	6" ESCUTCHEON	58
6" ROUND, FLUSH-MOUNT BOX	46	4 ½" ESCUTCHEON	10
6" ROUND, SURFACE-MOUNT BOX	47	BOLLARD	60
6" SQUARE, FLUSH-MOUNT BOX	48	BRINGC	61
6" SQUARE, SURFACE-MOUNT BOX	49	ADAPTER BRACKET	62

PUSH PLATE - 4 1/2" ROUND



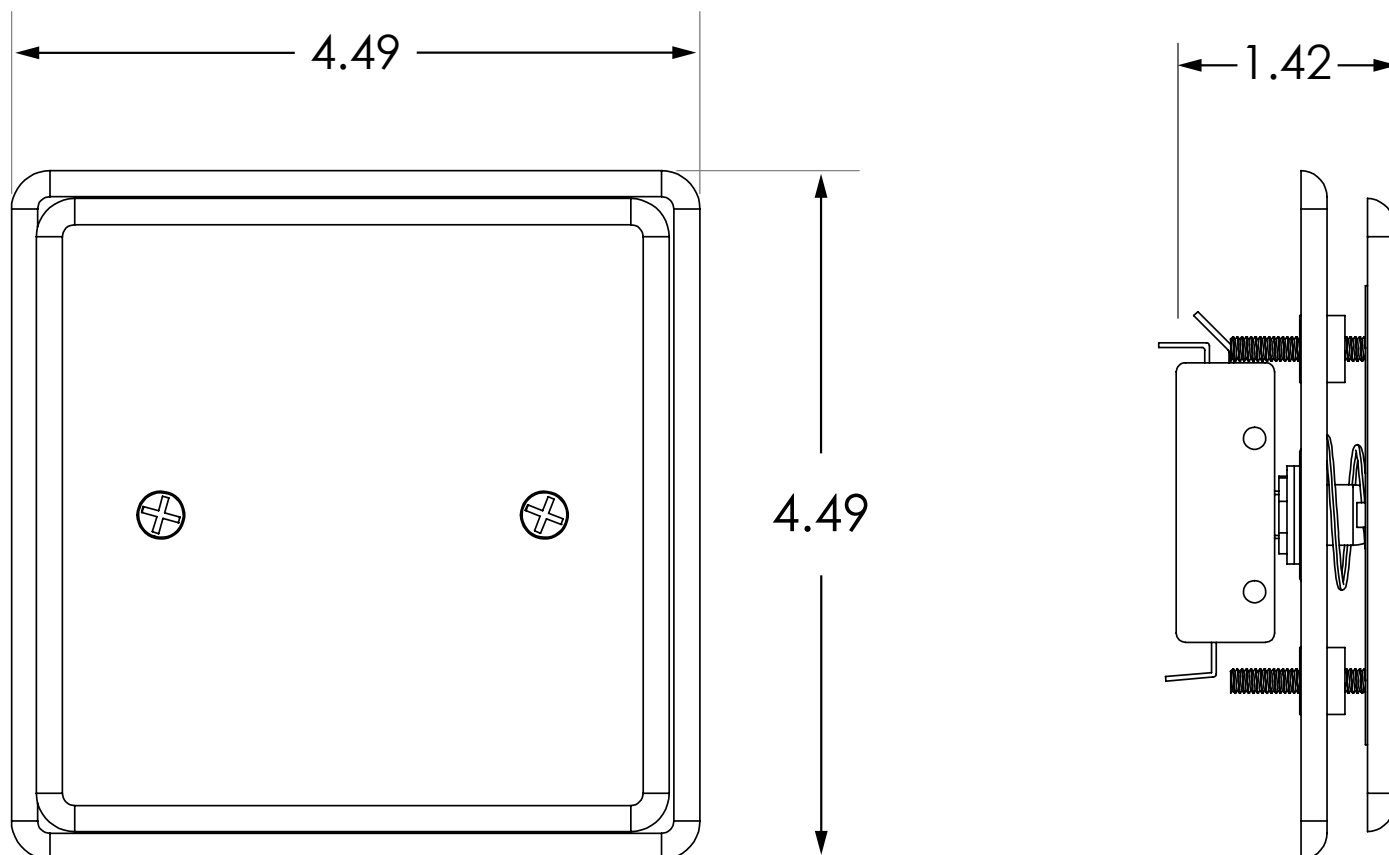
VARIETIES

P/N	DESCRIPTION	MATERIAL
10PBR45	"PUSH TO OPEN"	Stainless steel 304
10PBR451	Text/Logo	Stainless steel 304
10PBR45LL	Logo	Stainless steel 304
10PBR4510	Plain	Stainless steel 304

COMPATIBLE WITH

P/N	DESCRIPTION
10BOX45RNDISM	4 1/2" round, surface-mount box
10BOX45RNDIFM	4 1/2" round, flush-mount box
not sold by BEA	Single-gang electrical box
10BOLLARD series	Bollard <i>*Poor aesthetics, exposure to elements</i>

PUSH PLATE - 4 1/2" SQUARE



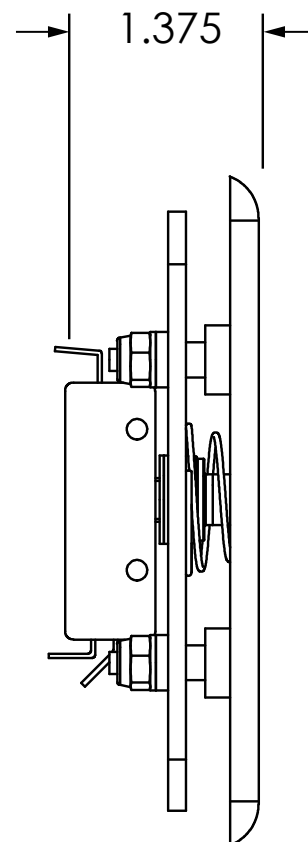
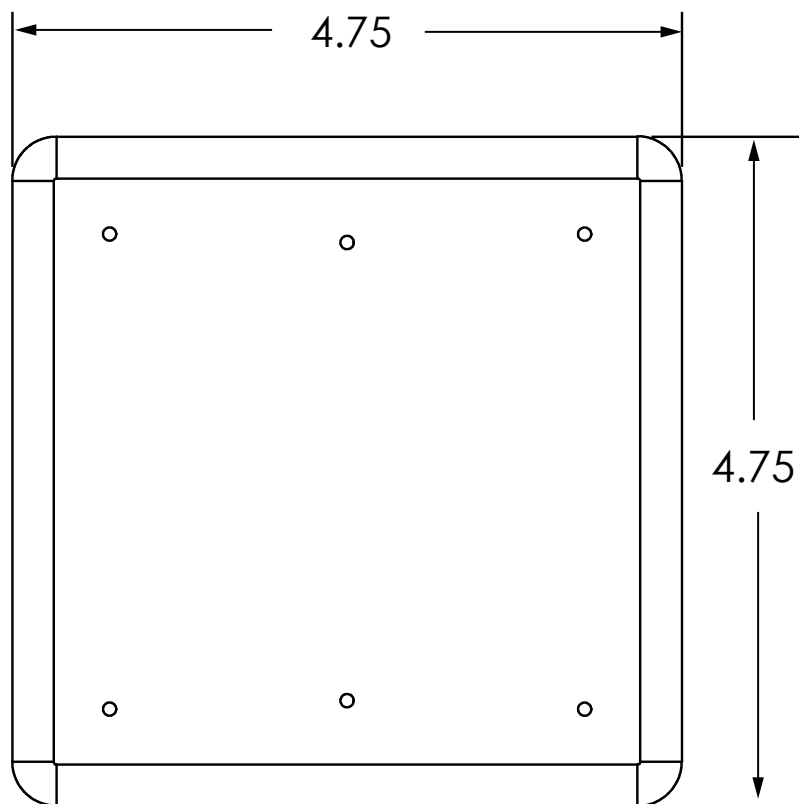
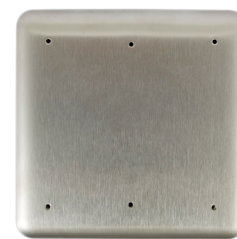
VARIETIES

P/N	DESCRIPTION	MATERIAL
10PBS45	"PUSH TO OPEN"	Stainless steel 304
10PBS45POD	"PRESS TO OPERATE DOOR"	Stainless steel 304
10PBS451	Text/Logo	Stainless steel 304
10PBS451AL	Text/Alt Logo	Stainless steel 304
10PBS45LL	Logo	Stainless steel 304
10PBS4510	Plain	Stainless steel 304
10PBS45B	White text, blue plate	Stainless steel 304, powder-coated
10PBS451B	White text/logo, blue plate	Stainless steel 304, powder-coated

COMPATIBLE WITH

P/N	DESCRIPTION
10BOX45SQSM	4 1/2" square, surface-mount box
10BOXDQSM	Double-gang, surface-mount box
10BOX45SQFM	4 1/2" square, flush-mount box
10BOXDG4H	Double-gang, non-metallic box
10BOLLARD series	Bollard
not sold by BEA	Single-gang electrical box
not sold by BEA	Double-gang electrical box

PUSH PLATE - 4 3/4" SQUARE



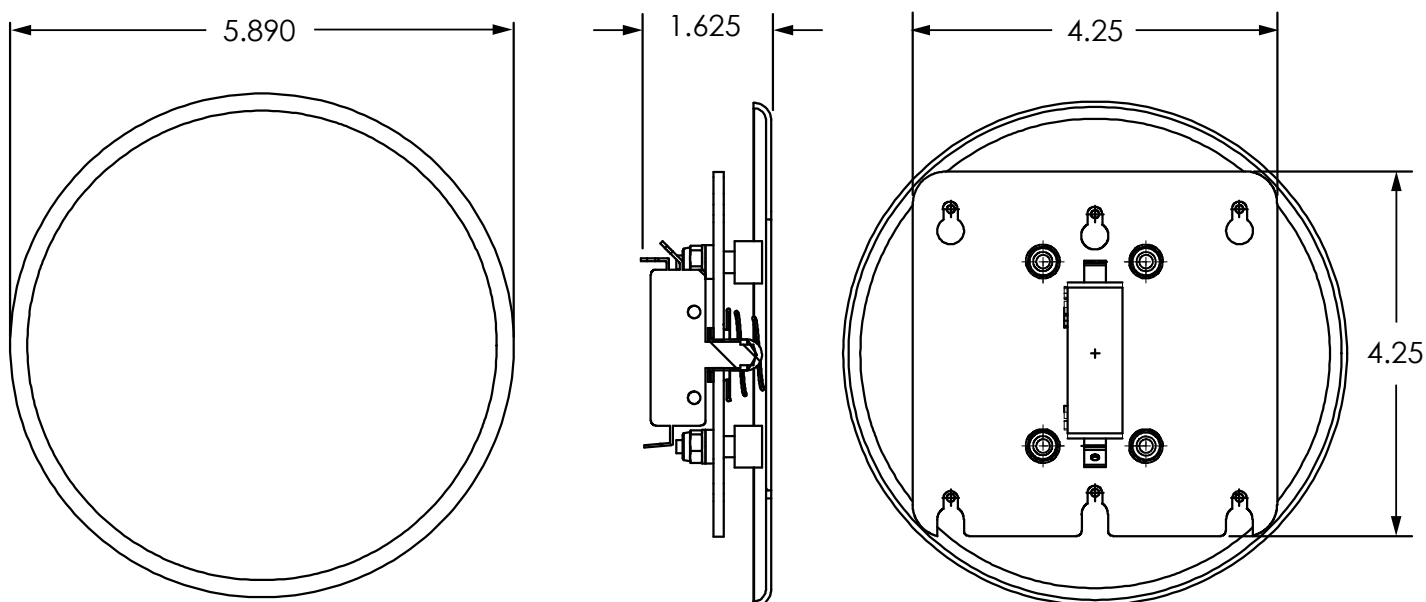
VARIETIES

P/N	DESCRIPTION	MATERIAL
10PBS	"PUSH TO OPEN"	Stainless steel 304
10PBS1	Text/Logo	Stainless steel 304
10PBS1AL	Text/Alt Logo	Stainless steel 304
10PBSLL	Logo	Stainless steel 304
10PBS10	Plain	Stainless steel 304
10PBS1SB	Blue text/logo, satin brass plate	Stainless steel 304, powder-coated
10PBS1B	White text/logo, blue plate	Stainless steel 304, powder-coated
10PBSE	"PUSH TO EXIT"	Stainless steel 304

COMPATIBLE WITH

P/N	DESCRIPTION
10BOX475SQSM	4 3/4" square, surface-mount box
10BOX475SQSMEBA	4 3/4" square, easy battery access box
10BOX475SQFM	4 3/4" square, flush-mount box
10BOLLARD series	Bollard
not sold by BEA	Single-gang electrical box
10BOXDGSM	Double-gang, surface-mount box (10BRINGC required) <i>*Poor aesthetics, potential for vandalism</i>
10BOXDG4H	Double-gang, non-metallic box <i>*Potential for vandalism</i>
not sold by BEA	Double-gang electrical box (10BRINGC required) <i>*Potential for vandalism</i>

PUSH PLATE - 6" ROUND



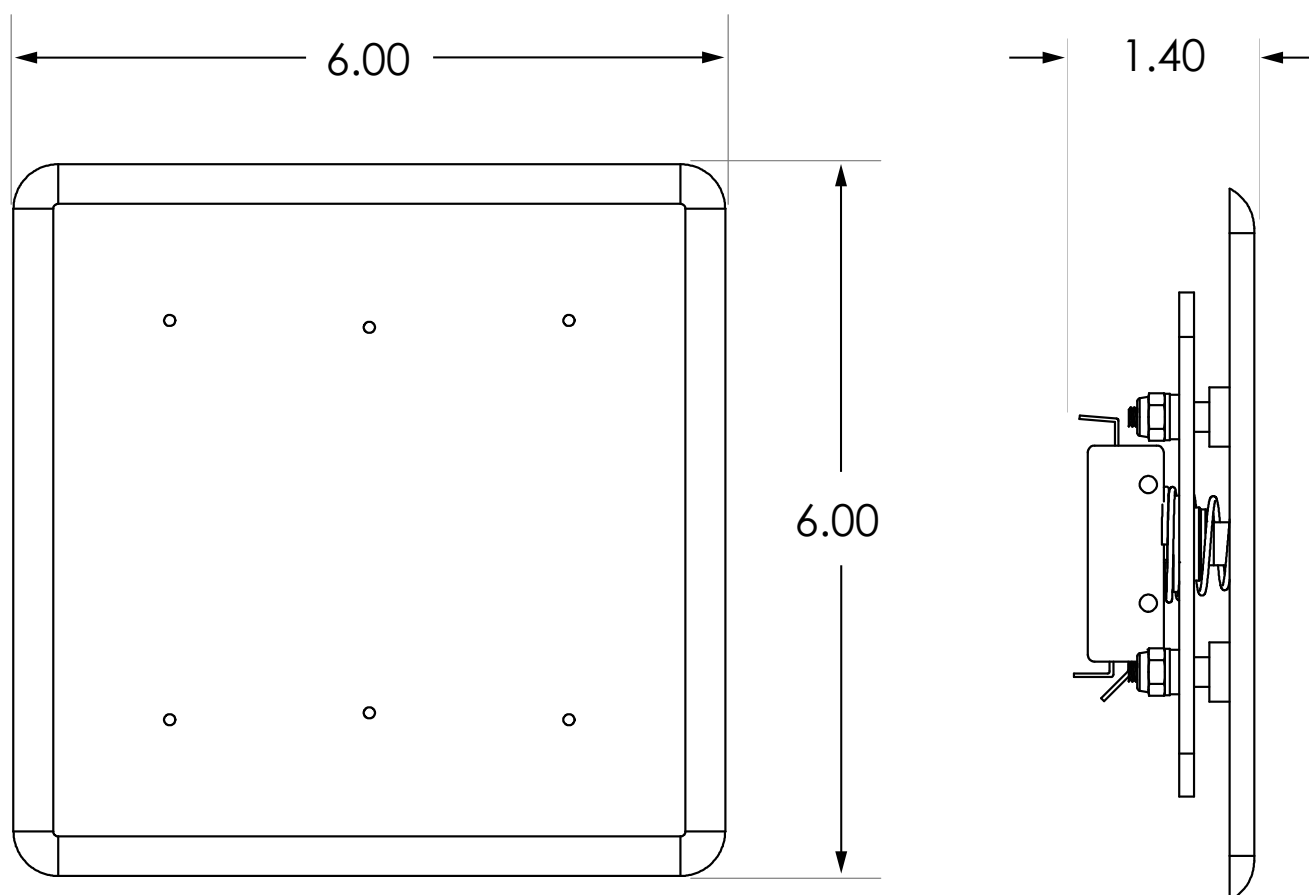
VARIETIES

P/N	DESCRIPTION	MATERIAL
10PBR	"PUSH TO OPEN"	Stainless steel 304
10PBR1	Text/Logo	Stainless steel 304
10PBR1AL	Text/Alt Logo	Stainless steel 304
10PBRLL	Logo	Stainless steel 304
10PBR10	Plain	Stainless steel 304

COMPATIBLE WITH

P/N	DESCRIPTION
10BOX6RNDISM	6" round, surface-mount box
10BOX6RNDIFM	6" round, flush-mount box
10ESCUTCHEON	6" escutcheon
10BOXDGSM	Double-gang, surface-mount box (10BRINGC required) <i>*Poor aesthetics, potential for vandalism</i>
10BOXDG4H	Double-gang, non-metallic box <i>*Potential for vandalism</i>
not sold by BEA	Single-gang electrical box <i>*Potential for vandalism</i>
not sold by BEA	Double-gang electrical box (10BRINGC required) <i>*Potential for vandalism</i>

PUSH PLATE - 6" SQUARE



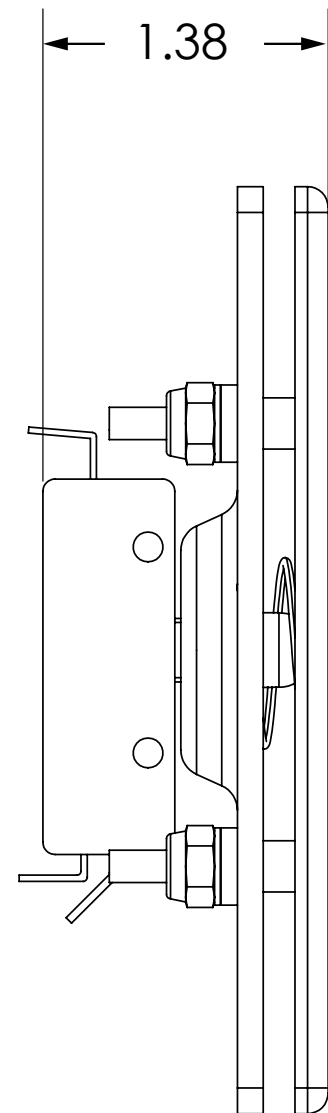
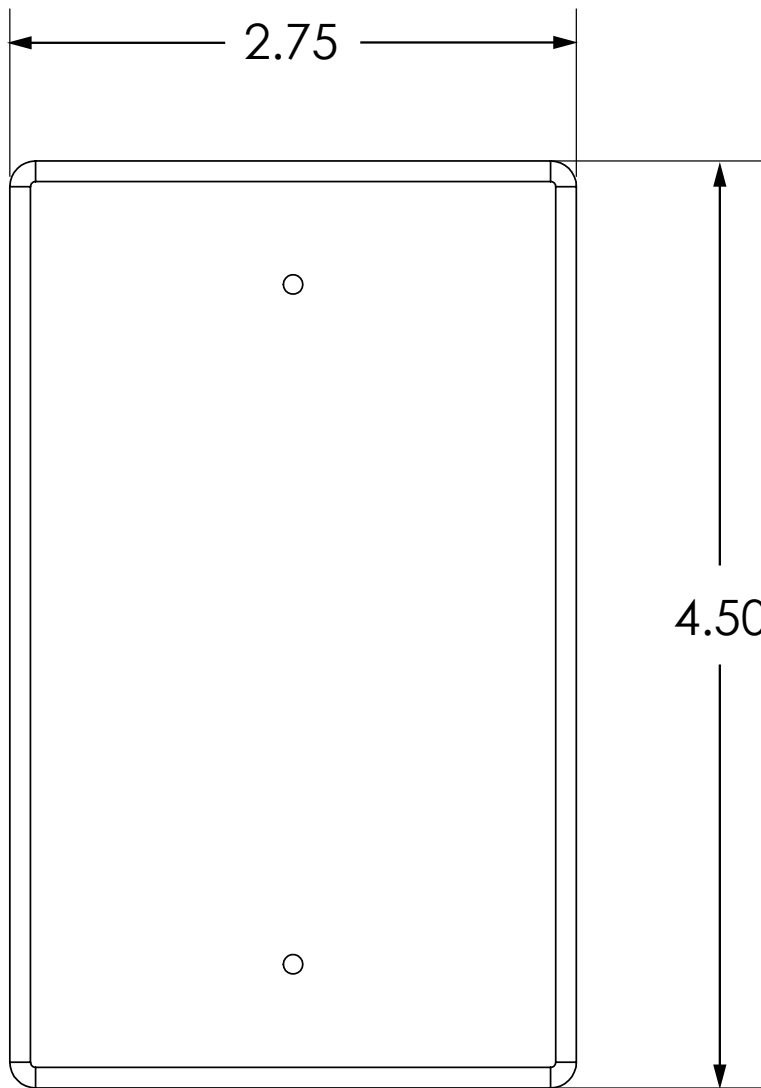
VARIETIES

P/N	DESCRIPTION	MATERIAL
10PBS6	"PUSH TO OPEN"	Stainless steel 304
10PBS61	Text/Logo	Stainless steel 304
10PBS6LL	Logo	Stainless steel 304
10PBS610	Plain	Stainless steel 304

COMPATIBLE WITH

P/N	DESCRIPTION
10BOX6SQSM	6" square, surface-mount box
10BOX6SQFM	6" square, flush-mount box
10BOXDGSM	Double-gang, surface-mount box (10BRINGC required) <i>*Poor aesthetics, potential for vandalism</i>
10BOXDG4H	Double-gang, non-metallic box <i>*Potential for vandalism</i>
not sold by BEA	Single-gang electrical box <i>*Potential for vandalism</i>
not sold by BEA	Double-gang electrical box (10BRINGC required) <i>*Potential for vandalism</i>

PUSH PLATE - SINGLE-GANG



VARIETIES

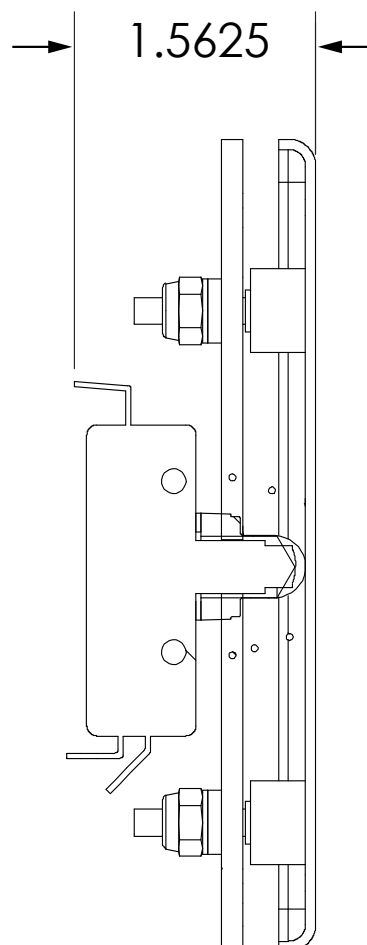
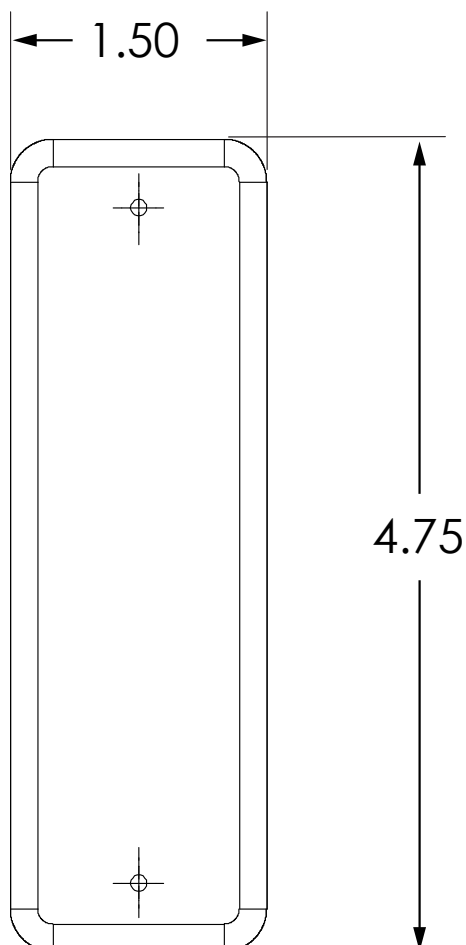
P/N	DESCRIPTION	MATERIAL
10PBO241	Text/Logo	Stainless steel 304
10PBO24L	Logo	Stainless steel 304
10PBO2410	Plain	Stainless steel 304
10PBO24E	"PUSH TO EXIT"	Stainless steel 304

COMPATIBLE WITH

P/N	DESCRIPTION
10BOX24SGSM	Single-gang, surface-mount box
not sold by BEA	Single-gang electrical box
10BOLLARD series	Bollard <i>*Poor aesthetics, exposure to elements</i>

PUSH PLATE - JAMB (4 3/4" × 1 1/2")

(with or without microswitch)



VARIETIES

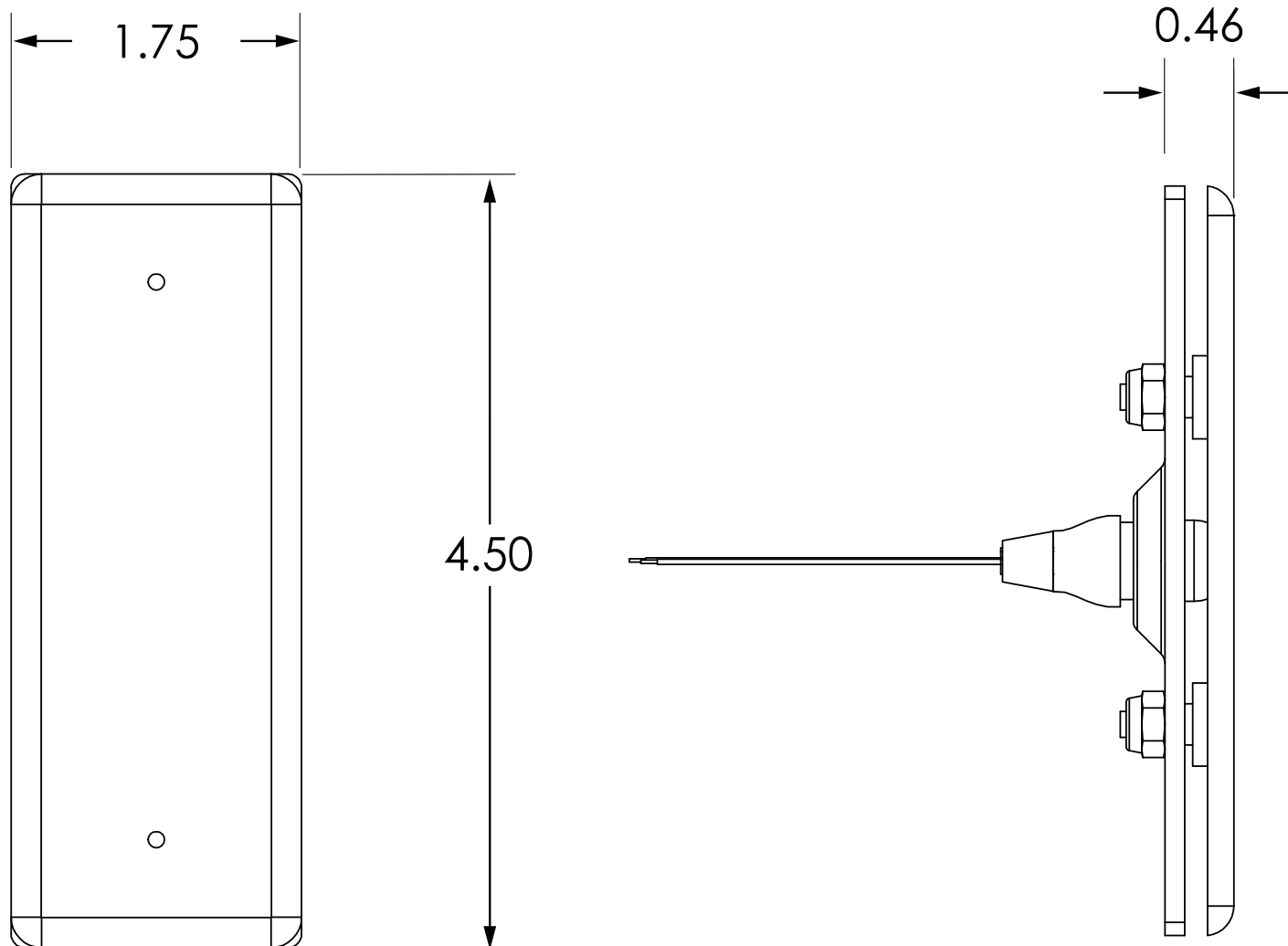
P/N	DESCRIPTION	MATERIAL
10PBJ	"PUSH TO OPEN"	Stainless steel 304
10PBJ1	Text/Logo	Stainless steel 304
10PBJL	Logo	Stainless steel 304
10PBJE	"PUSH TO EXIT"	Stainless steel 304
10PBJ1B	White text/logo, blue plate	Stainless steel 304, powder-coated
10PBJ10	Plain	Stainless steel 304
10PBJM1	Text/Logo	Stainless steel 304
10PBJML	Logo	Stainless steel 304

COMPATIBLE WITH

P/N	DESCRIPTION
10BOXJAMBSM	Jamb, surface-mount box
10BOXJAMBFM	Jamb, flush-mount box

PUSH PLATE - JAMB (4 1/2" × 1 3/4")

(with or without microswitch)



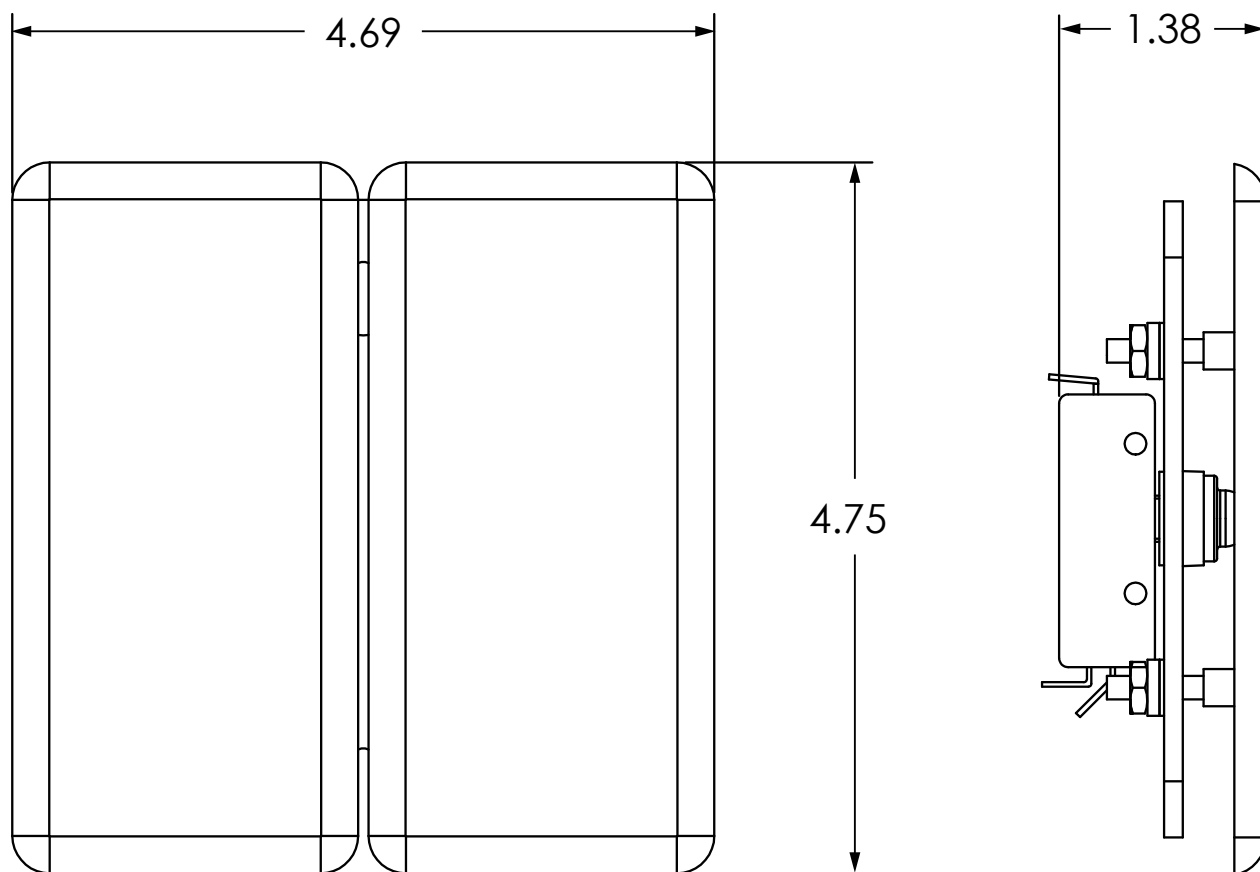
VARIETIES

P/N	DESCRIPTION	MATERIAL
10PBJMS1	Text/Logo	Stainless steel 304
10PBJMSSL	Logo	Stainless steel 304
10PBJSREV	"PUSH TO SLOW" w/Braille (white on blue)	Stainless steel 304

COMPATIBLE WITH

P/N	DESCRIPTION
10BOXJAMBST	4 1/2" × 1 3/4" jamb box *hard-wired only

PUSH PLATE - VESTIBULE



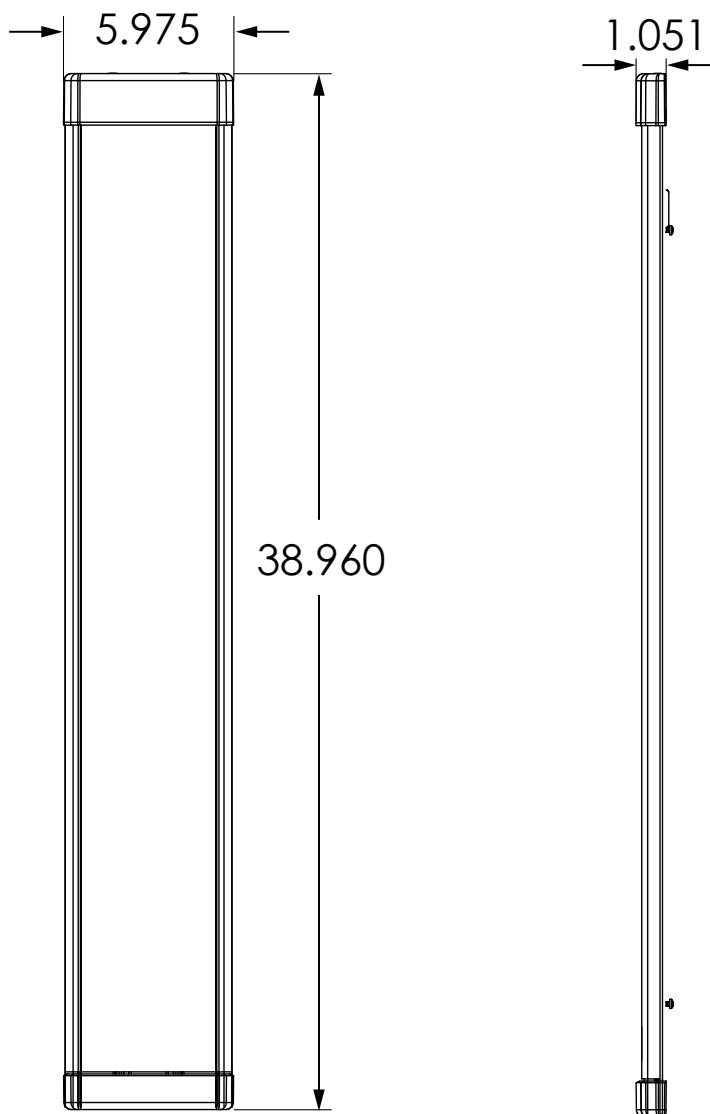
VARIETIES

P/N	DESCRIPTION	MATERIAL
10PBDGP1	Text/Logo	Stainless steel 304

COMPATIBLE WITH

P/N	DESCRIPTION
10BOX475SQSM	4 3/4" square, surface-mount box (adapter ring 50.5016 required)
10BOX475SQSMEBA	4 3/4" square, easy battery access box (adapter ring 50.5016 required)
10BOX475SQFM	4 3/4" square, flush-mount box (adapter ring 50.5016 required)
10BOXDG4H	Double-gang, non-metallic box (adapter ring 50.5016 required)
10BOLLARD series	Bollard
not sold by BEA	Single-gang electrical box
10BOXDGSM	Double-gang, surface-mount box (adapter ring 50.5016 required) <i>*Poor aesthetics, potential for vandalism</i>
not sold by BEA	Double-gang electrical box (adapter ring 50.5016 required) <i>*Potential for vandalism</i>

PUSH PLATE - LPR36



VARIETIES

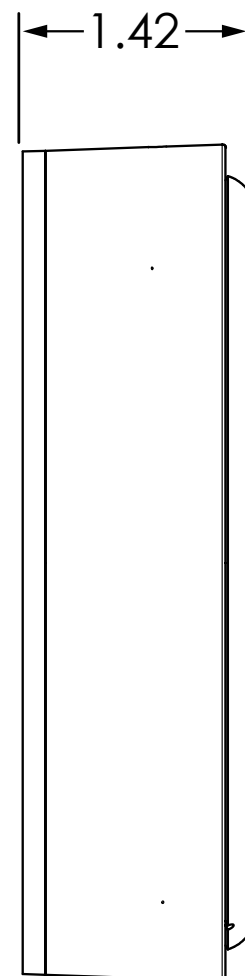
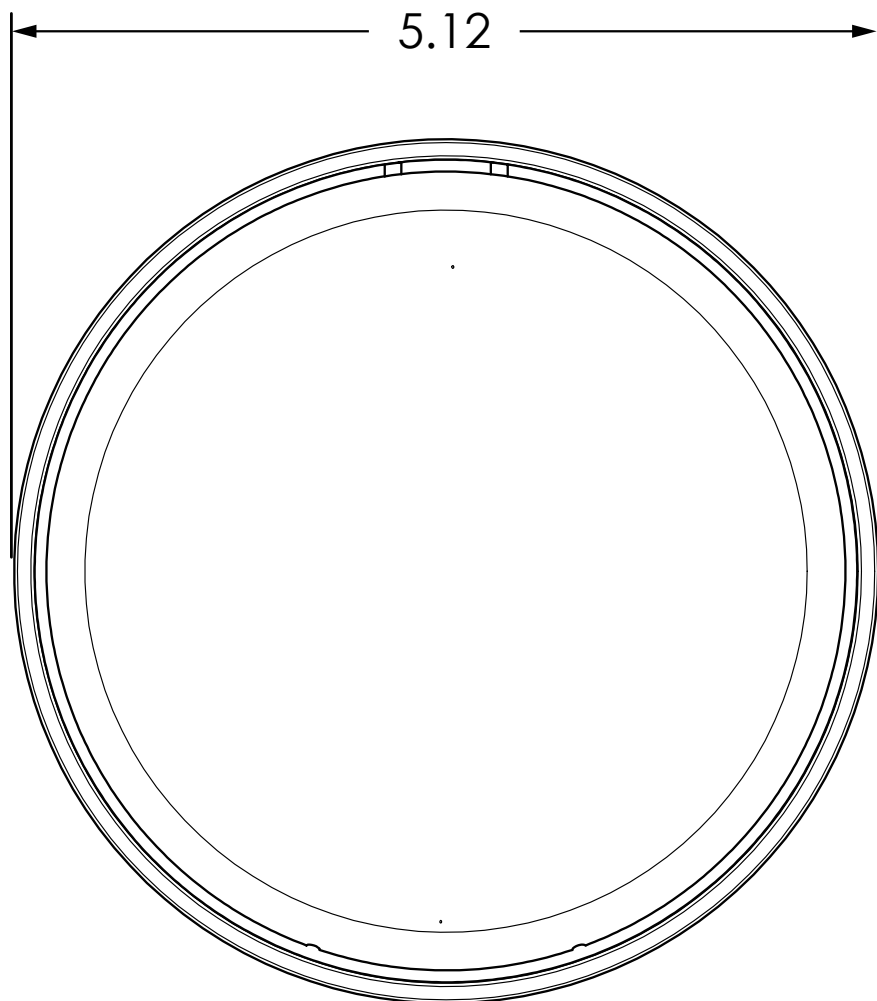
P/N	DESCRIPTION	MATERIAL
10LPR36-300 10LPR36-433 10LPR36-900	300 MHZ Text/Logo 433 MHZ Text/Logo 900 MHZ Text/Logo	Plate: Stainless steel 304 w/aluminum construction Caps: ABS plastic
10LPR36L-300 10LPR36L-433 10LPR36L-900	300 MHZ Logo 433 MHZ Logo 900 MHZ Logo	Plate: Stainless steel 304 w/aluminum construction Caps: ABS plastic
10LPR36-HW	Hardwired, text/logo	Plate: Stainless steel 304 w/aluminum construction Caps: ABS plastic
10LPR36L-HW	Hardwired, logo	Plate: Stainless steel 304 w/aluminum construction Caps: ABS plastic

COMPATIBLE WITH

P/N	DESCRIPTION
10BOLLARDXXXWOH	Bollard ("without hole")

PUSH PLATE - PANTHER

4 3/4" ROUND



VARIETIES

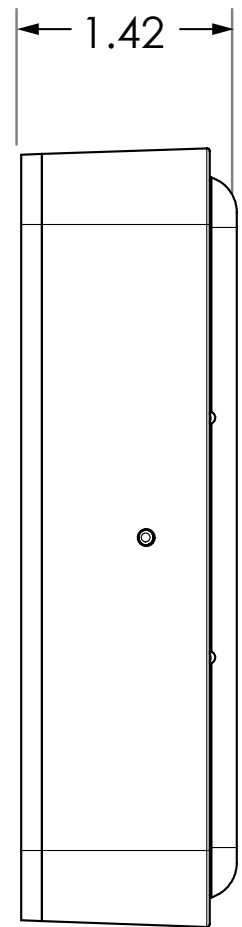
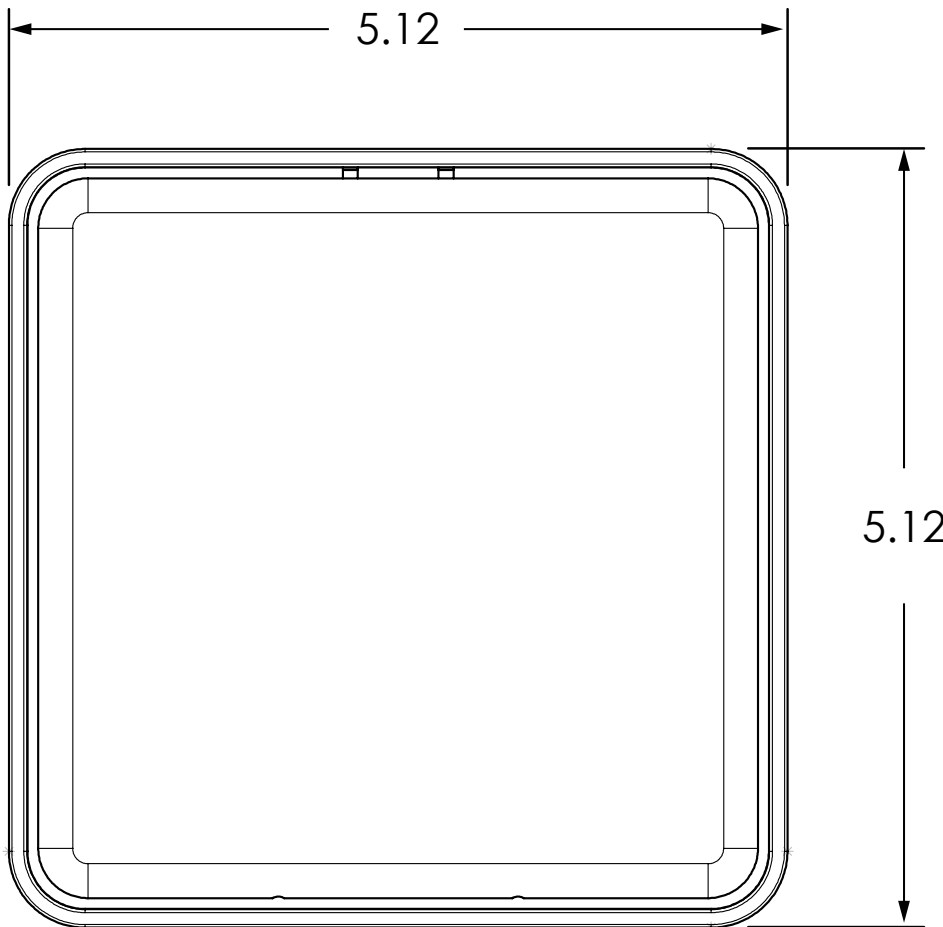
P/N	DESCRIPTION	MATERIAL
10EMR475 10EMR475-900	433 MHZ "PUSH TO OPEN" 900 MHZ "PUSH TO OPEN"	Plate: Stainless steel 304 Housing: ABS plastic
10EMR475L 10EMR475L-900	433 MHZ Logo 900 MHZ Logo	Plate: Stainless steel 304 Housing: ABS plastic
10EMR4751 10EMR4751-900	433 MHZ Text/Logo 900 MHZ Text/Logo	Plate: Stainless steel 304 Housing: ABS plastic

COMPATIBLE WITH

P/N	DESCRIPTION
10BOLLARD series	Bollard <i>*Poor aesthetics, exposure to elements</i>

PUSH PLATE - PANTHER

4 3/4" SQUARE



VARIETIES

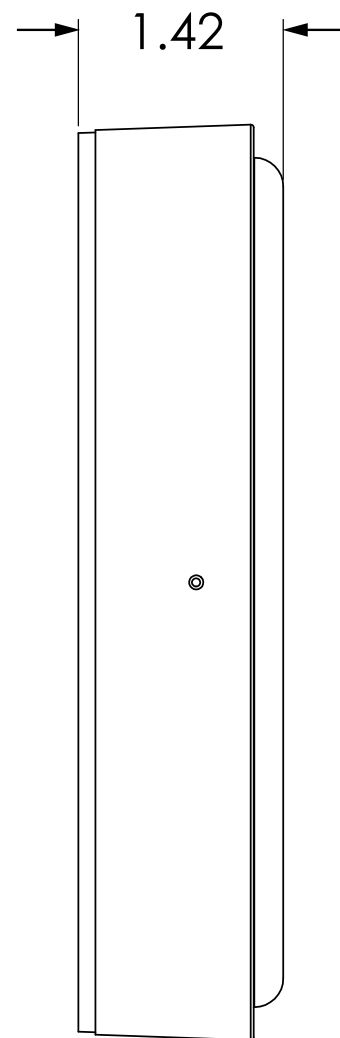
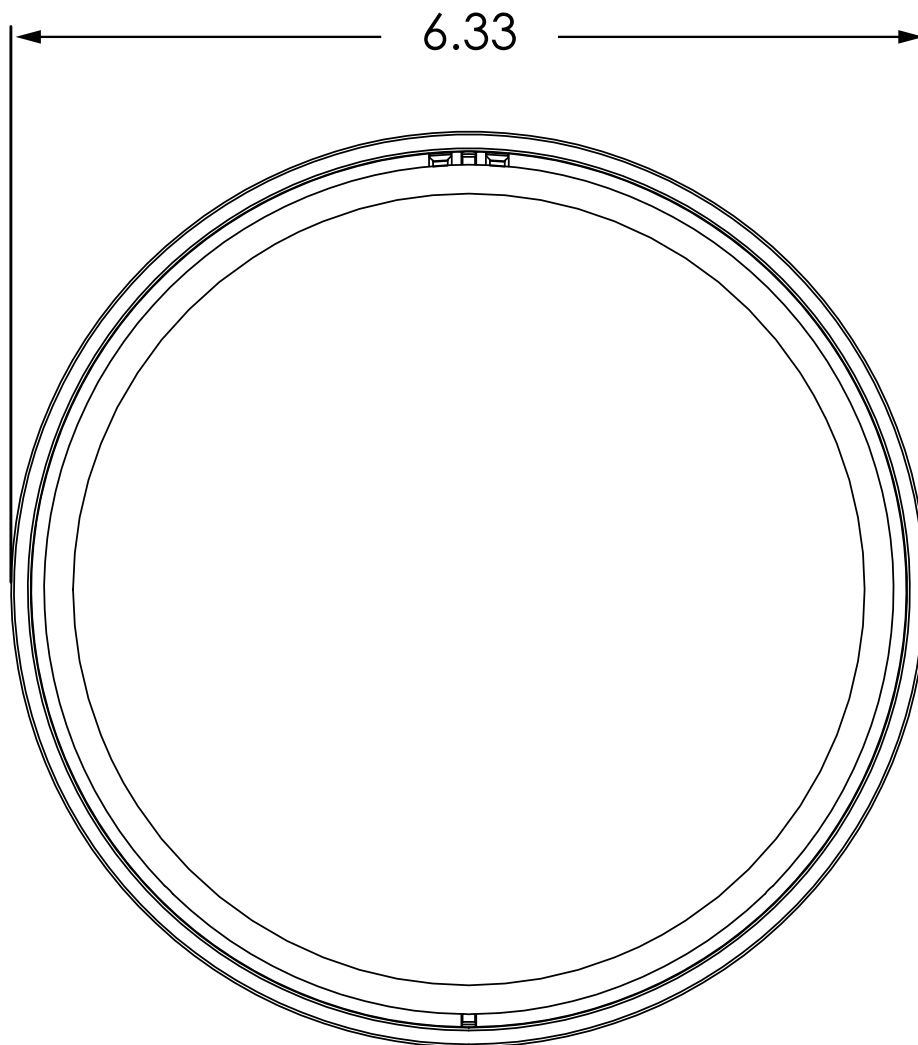
P/N	DESCRIPTION	MATERIAL
10EMS475 10EMS475-900	433 MHZ "PUSH TO OPEN" 900 MHZ "PUSH TO OPEN"	Plate: Stainless steel 304 Housing: ABS plastic
10EMS475L 10EMS475L-900	433 MHZ Logo 900 MHZ Logo	Plate: Stainless steel 304 Housing: ABS plastic
10EMS4751 10EMS4751-900	433 MHZ Text/Logo 900 MHZ Text/Logo	Plate: Stainless steel 304 Housing: ABS plastic

COMPATIBLE WITH

P/N	DESCRIPTION
10BOLLARD series	Bollard

PUSH PLATE - PANTHER

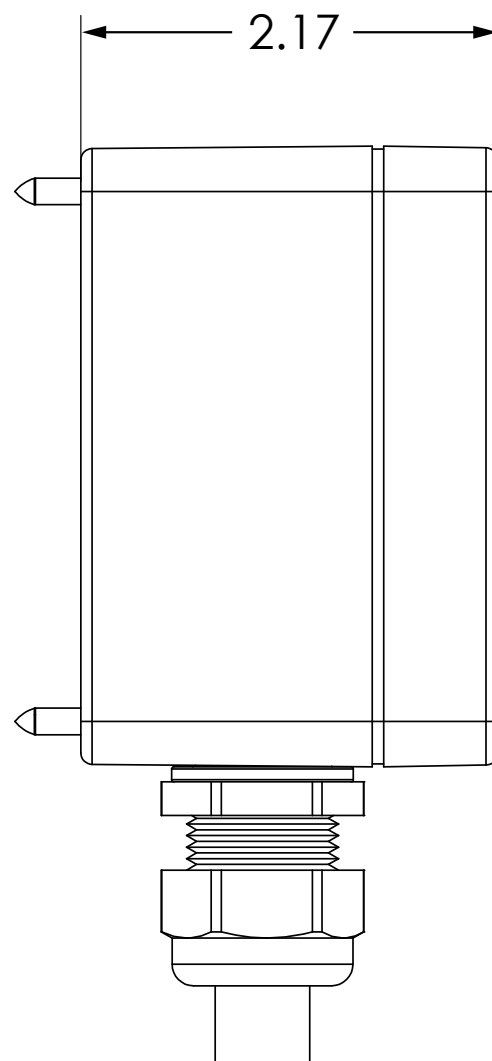
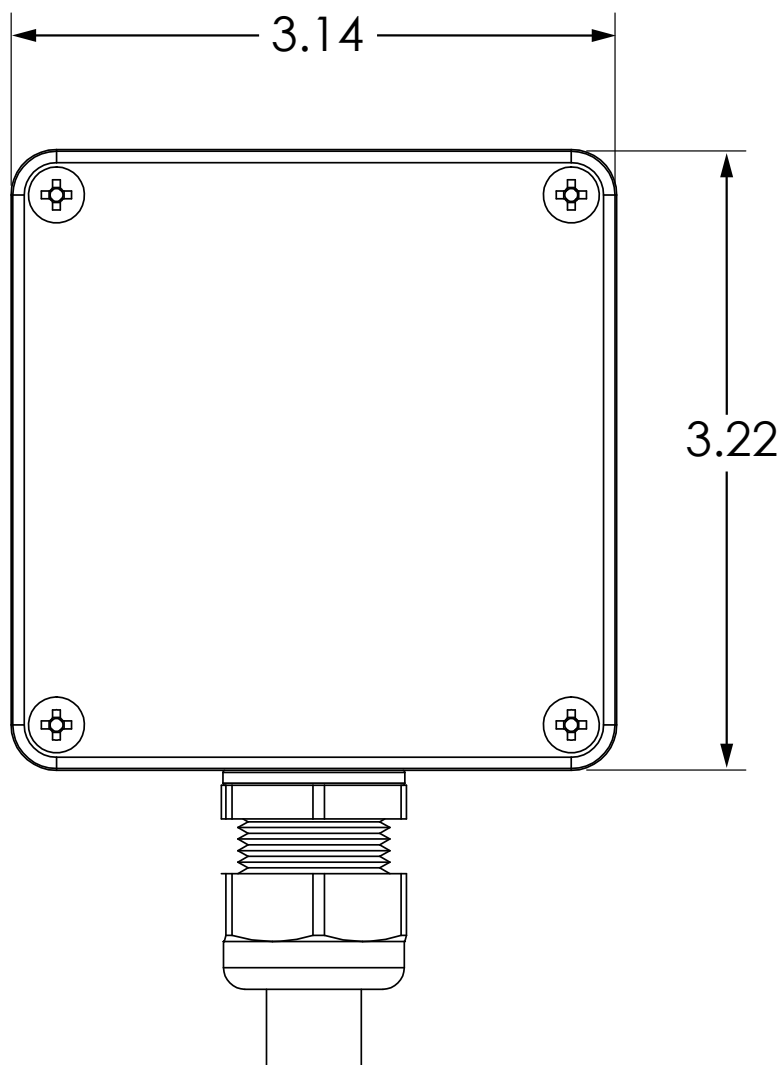
6" ROUND



VARIETIES

P/N	DESCRIPTION	MATERIAL
10EMR6 10EMR6-900	433 MHZ "PUSH TO OPEN" 900 MHZ "PUSH TO OPEN"	Plate: Stainless steel 304 Housing: ABS plastic
10EMR6L 10EMR6L-900	433 MHZ Logo 900 MHZ Logo	Plate: Stainless steel 304 Housing: ABS plastic
10EMR61 10EMR61-900	433 MHZ Text/Logo 900 MHZ Text/Logo	Plate: Stainless steel 304 Housing: ABS plastic

MS09



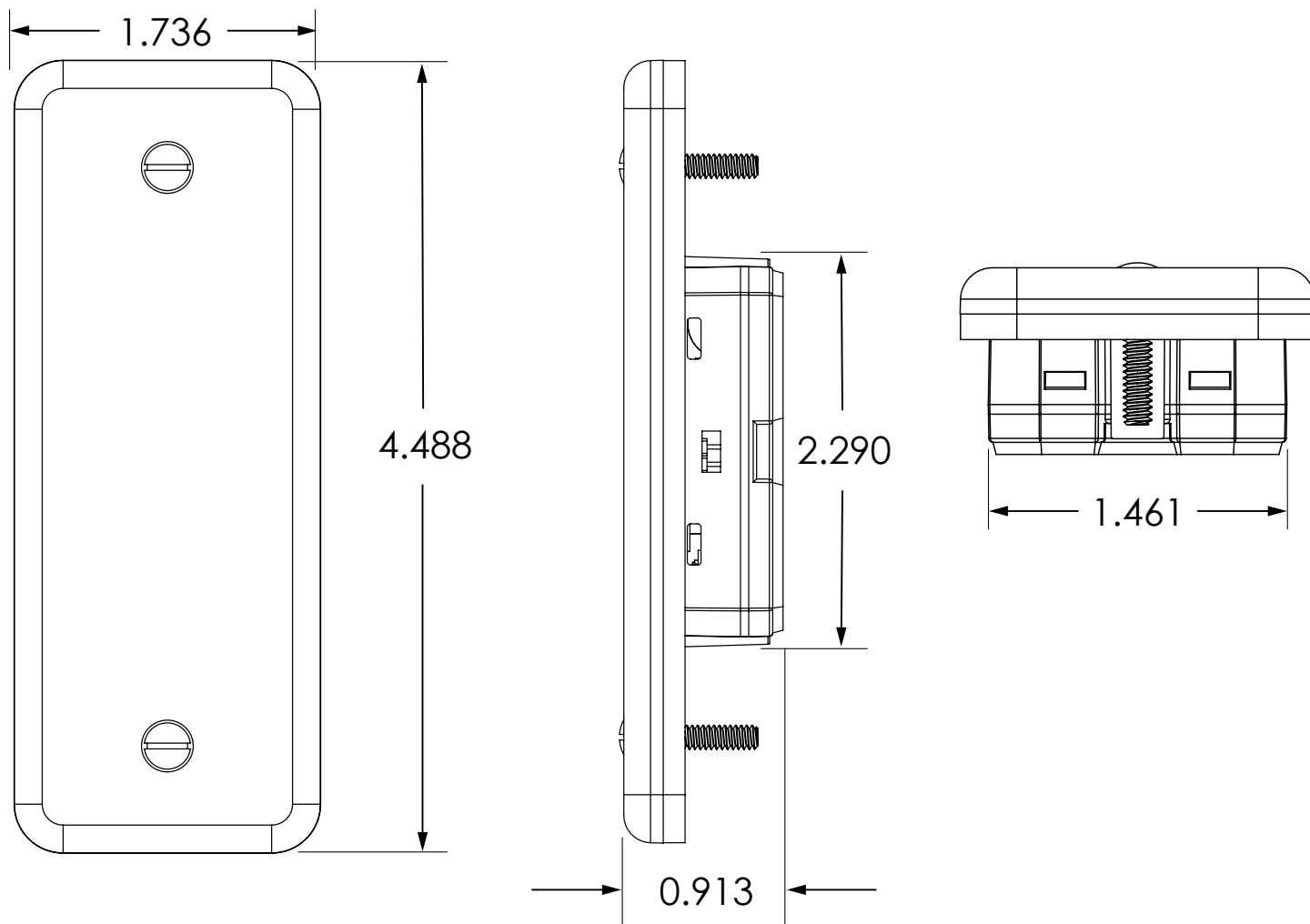
VARIETIES

P/N	DESCRIPTION	MATERIAL
10MS09TL	Text/Logo	Polycarbonate plastic
10MS09L	Logo	Polycarbonate plastic

COMPATIBLE WITH

P/N	DESCRIPTION
10BOLLARD series	Bollard ("without hole")

MS31 (JAMB)



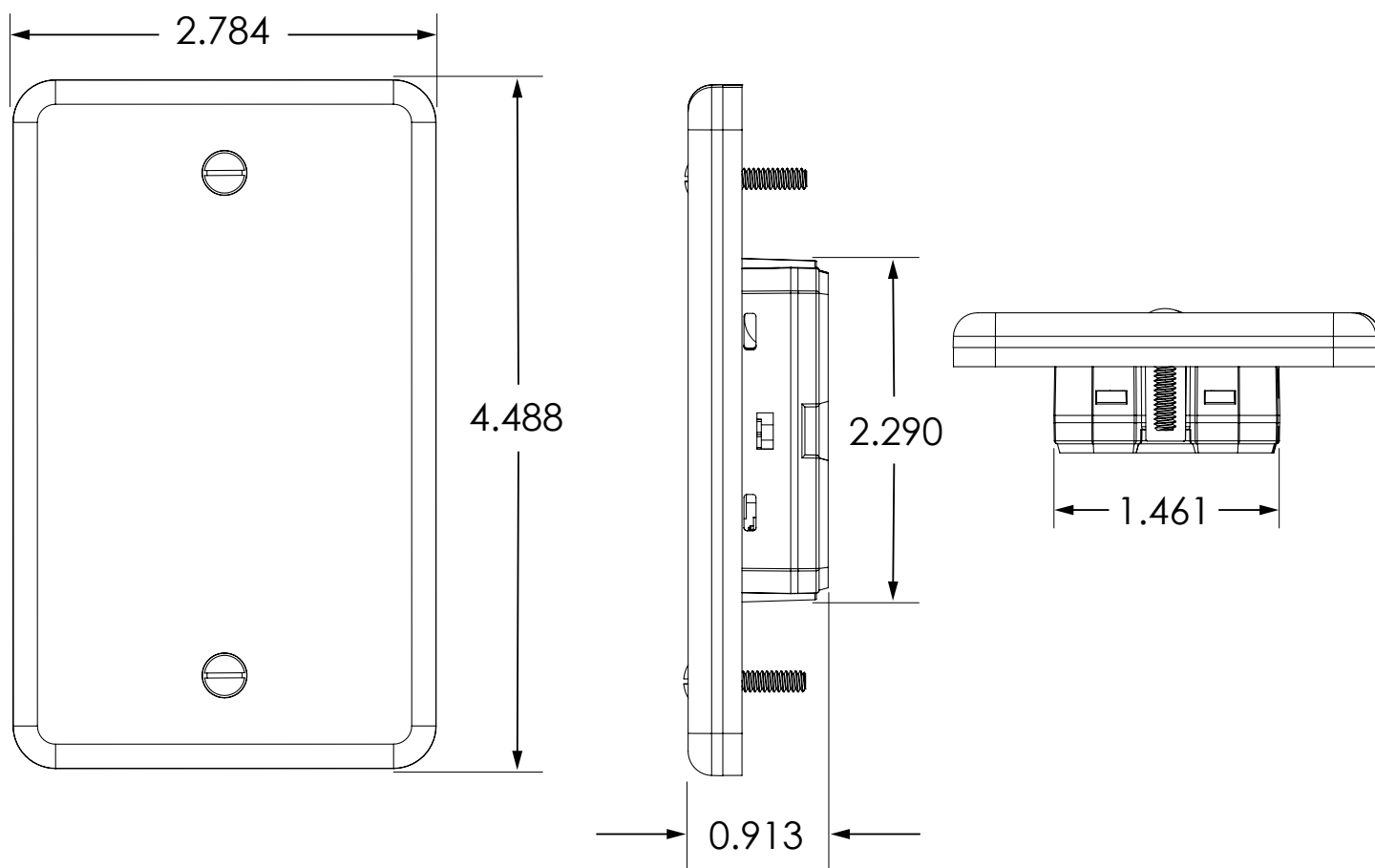
VARIETIES

P/N	DESCRIPTION	MATERIAL
10MS31J-B	black, text+logo	Plate, LED cover: polycarbonate plastic Cube: polyethelene plastic
10MS31J-W	white, text+logo	Plate, LED cover: polycarbonate plastic Cube: polyethelene plastic
10MS31J-G	gray, text+logo	Plate, LED cover: polycarbonate plastic Cube: polyethelene plastic

COMPATIBLE WITH

P/N	DESCRIPTION
10MSBOXJAMBSTM	MAGIC SWITCH Surface-Mount Box (jamb) - <i>recommended</i>
10BOXJAMBST	4 1/2" x 1 3/4" jamb box
10BOLLARDXXXWOH	Bollard ("without hole")

MS31 (SINGLE-GANG)



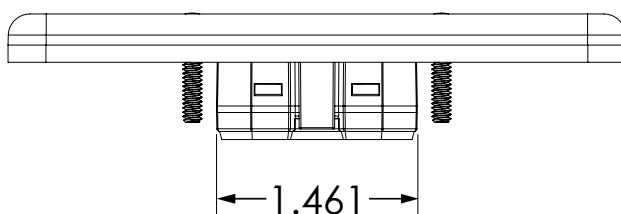
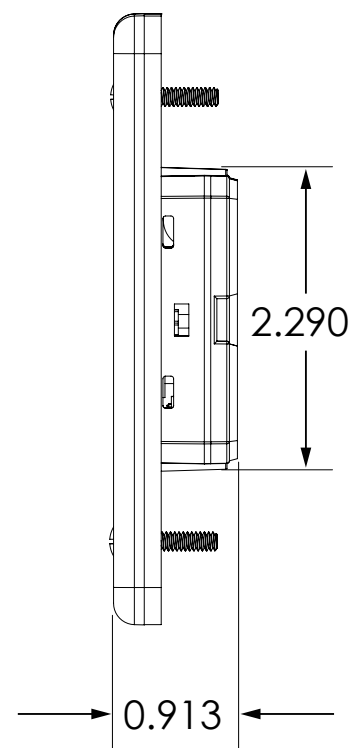
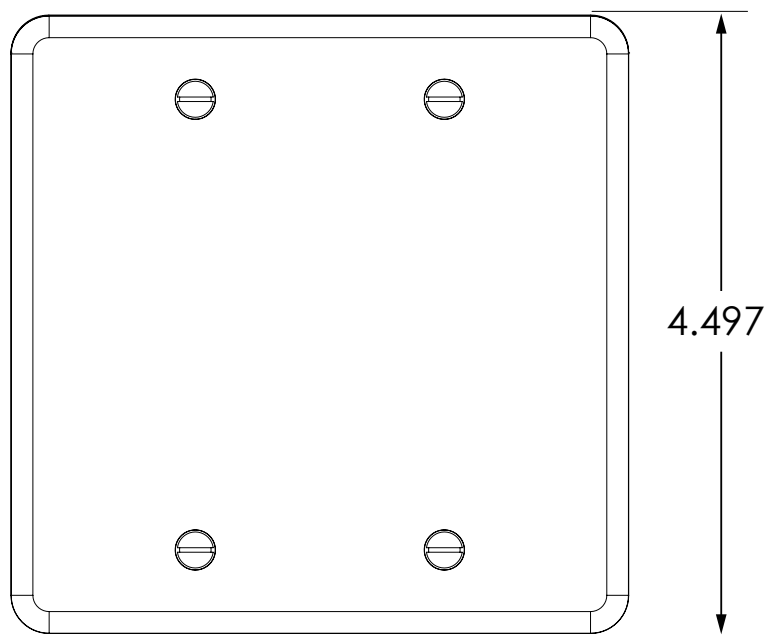
VARIETIES

P/N	DESCRIPTION	MATERIAL
10MS31U-B	black, text+logo	Plate, LED cover: polycarbonate plastic Cube: polyethelene plastic
10MS31U-W	white, text+logo	Plate, LED cover: polycarbonate plastic Cube: polyethelene plastic
10MS31U-G	gray, text+logo	Plate, LED cover: polycarbonate plastic Cube: polyethelene plastic

COMPATIBLE WITH

P/N	DESCRIPTION
10MSBOXSGSM	MAGIC SWITCH Surface-Mount Box (single gang) - <i>recommended</i>
10BOX24SGSM	Single-gang, surface-mount box
10BOLLARDXXXWOH	Bollard ("without hole")

MS31 (DOUBLE-GANG)



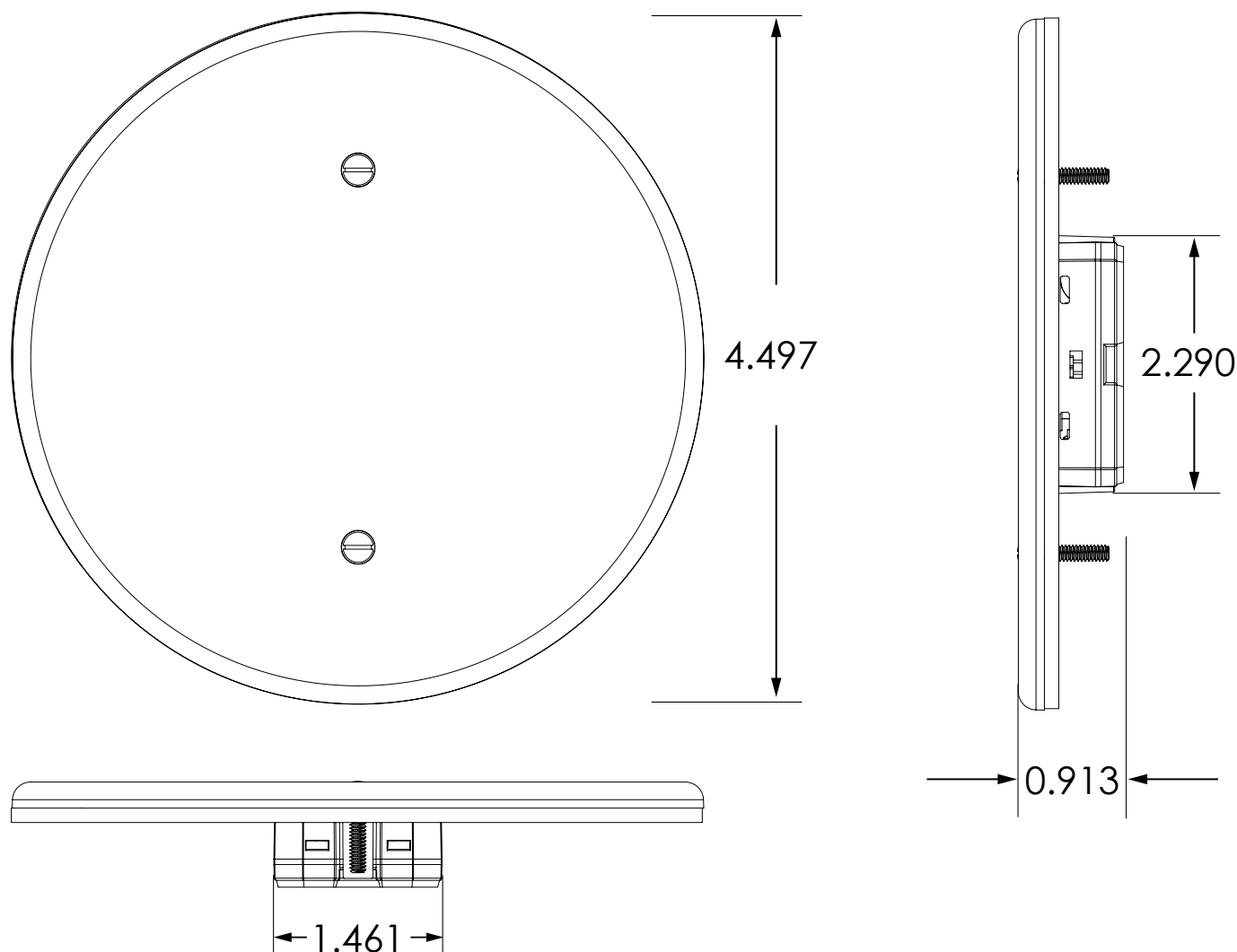
VARIETIES

P/N	DESCRIPTION	MATERIAL
10MS31U-B	black, text+logo	Plate, LED cover: polycarbonate plastic Cube: polyethelene plastic
10MS31U-W	white, text+logo	Plate, LED cover: polycarbonate plastic Cube: polyethelene plastic
10MS31U-G	gray, text+logo	Plate, LED cover: polycarbonate plastic Cube: polyethelene plastic

COMPATIBLE WITH

P/N	DESCRIPTION
10MSBOXDGSM	MAGIC SWITCH Surface-Mount Box (double gang) - <i>recommended</i>
10BOXDGSM	Double-gang, surface-mount box
10BOX45SQSM	4 1/2" square, surface-mount box (must use adapter bracket)
10BOX475SQSM	4 3/4" square, surface-mount box (must use adapter bracket)
10BOX45SQFM	4 1/2" square, flush-mount box (must use adapter bracket)
10BOLLARD series	Bollard
not sold by BEA	Double-gang electrical box

MS31 (6" ROUND)



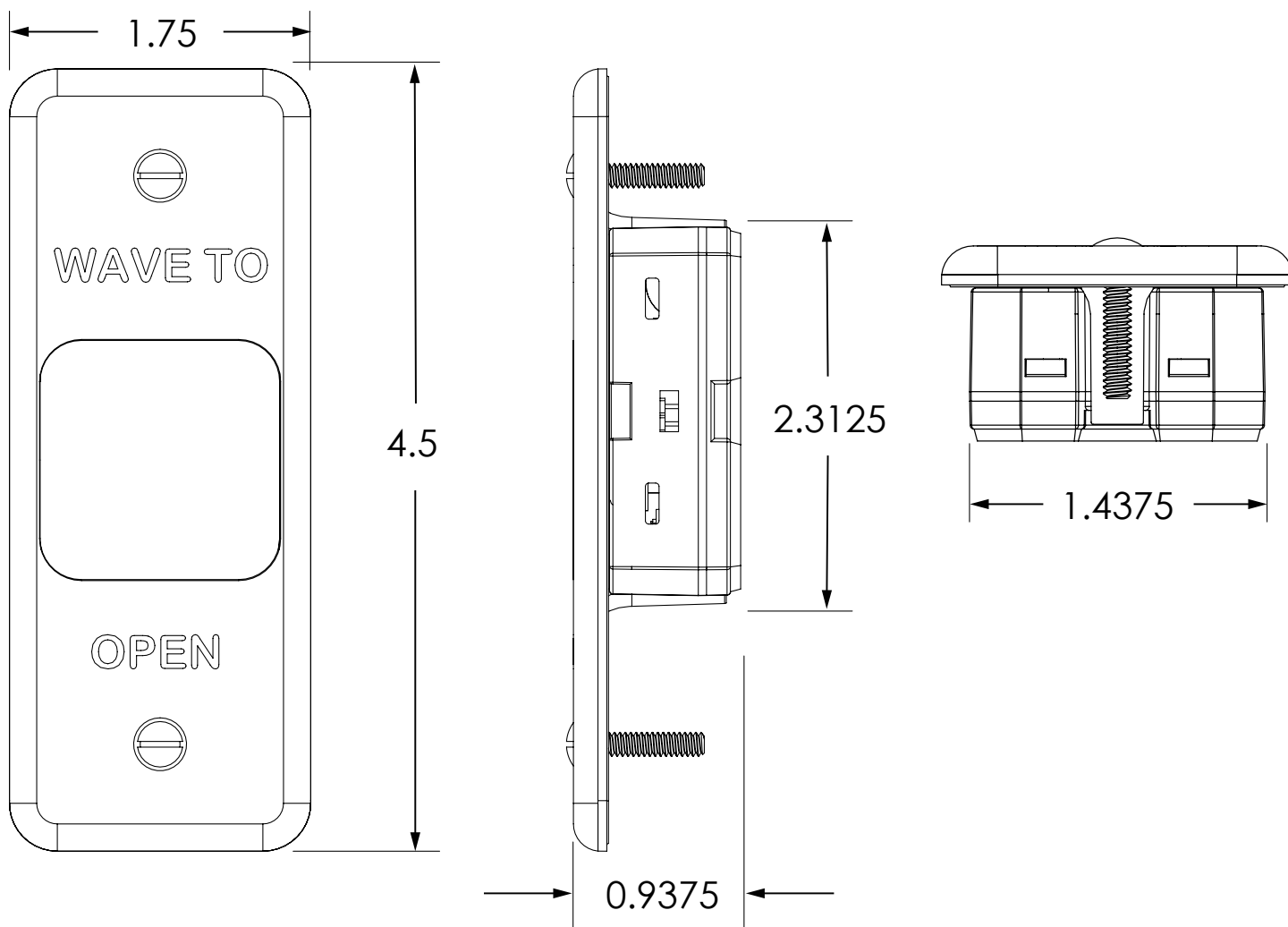
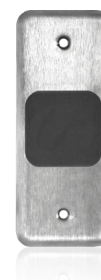
VARIETIES

P/N	DESCRIPTION	MATERIAL
10MS31R-B	black, text+logo	Plate, LED cover: polycarbonate plastic Cube: polyethelene plastic
10MS31R-W	white, text+logo	Plate, LED cover: polycarbonate plastic Cube: polyethelene plastic
10MS31R-G	gray, text+logo	Plate, LED cover: polycarbonate plastic Cube: polyethelene plastic

COMPATIBLE WITH

P/N	DESCRIPTION
10MSBOXRNDISM	MAGIC SWITCH Surface-Mount Box (6" round) - <i>recommended</i>
10BOX6RNDISM	6" round, surface-mount box (must use adapter bracket)
not sold by BEA	Single-gang electrical box
10BOLLARDXXXWOH	Bollard ("without hole")

MS41 (JAMB)



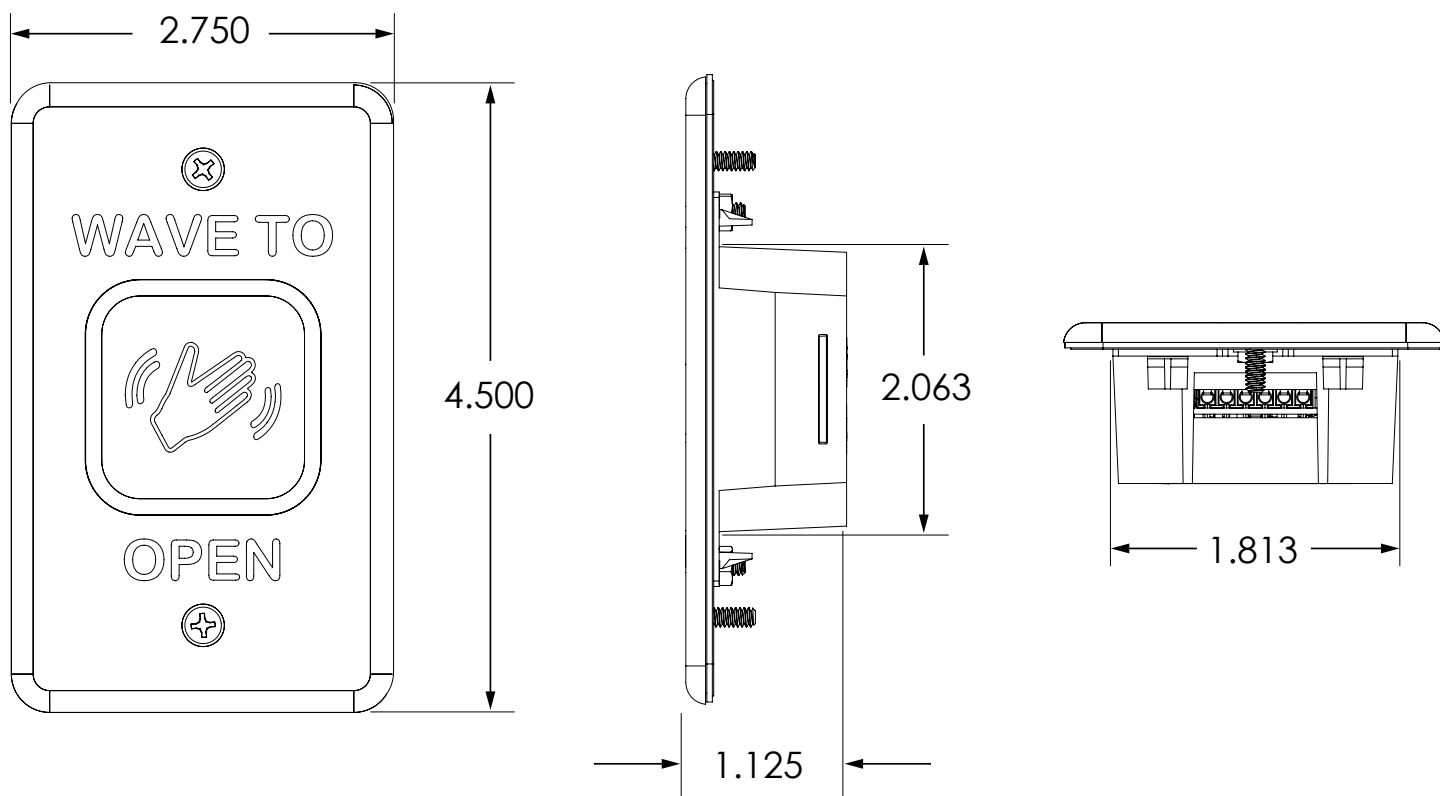
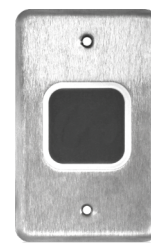
VARIETIES

P/N	DESCRIPTION	MATERIAL
10MS41-J	text + hand	Plate: stainless steel Cube: polyethelene plastic Center square: polycarbonate plastic LED ring cover: lexan
10MS41-JA	text + accessibility logo	
10MS41-JPHL	hand logo	
10MS41-JPAL	accessibility logo	
10MS41-JP	plain	

COMPATIBLE WITH

P/N	DESCRIPTION
10MSBOXJAMBSM	MAGIC SWITCH Surface-Mount Box (jamb) - <i>recommended</i>
10BOXJAMBST	4 1/2" x 1 3/4" jamb box
10BOLLARDXXXWOH	Bollard ("without hole")

MS41 (SINGLE-GANG)



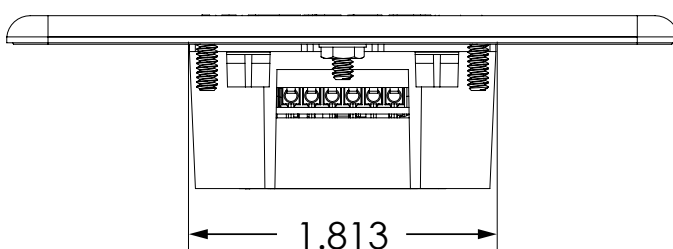
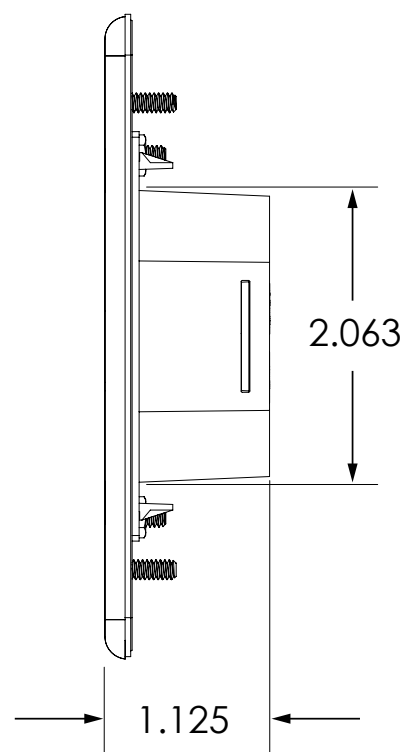
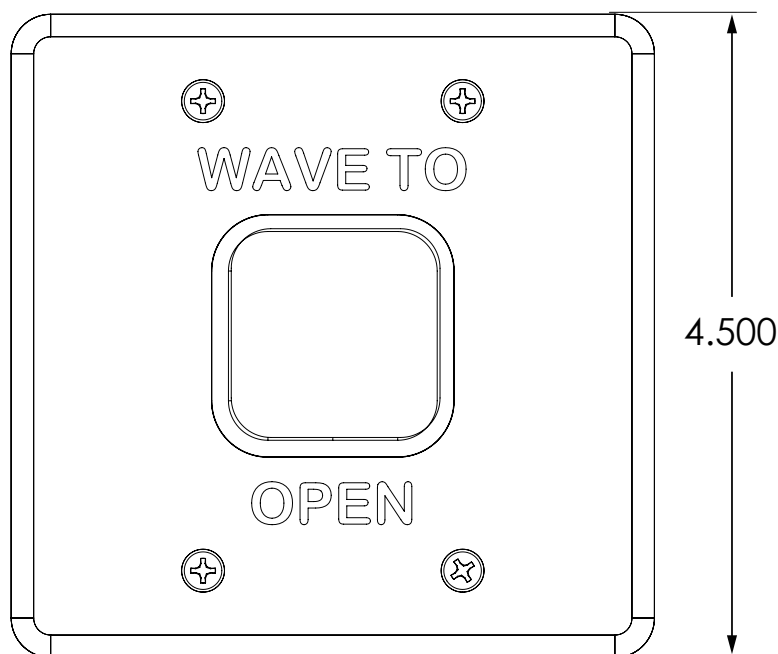
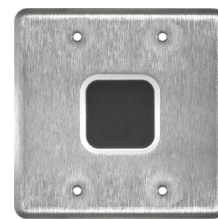
VARIETIES

P/N	DESCRIPTION	MATERIAL
10MS41-S	text + hand	Plate: stainless steel Cube: polyethelene plastic Center square: polycarbonate plastic LED ring cover: lexan
10MS41-SA	text + accessibility logo	
10MS41-SPHL	hand logo	
10MS41-SPAL	accessibility logo	
10MS41-SP	plain	

COMPATIBLE WITH

P/N	DESCRIPTION
10MSBOXSGSM	MAGIC SWITCH Surface-Mount Box (single gang) - <i>recommended</i>
10BOX24SGSM	Single-gang, surface-mount box
10BOLLARDXXXWOH	Bollard ("without hole")

MS41 (4 1/2" SQUARE)



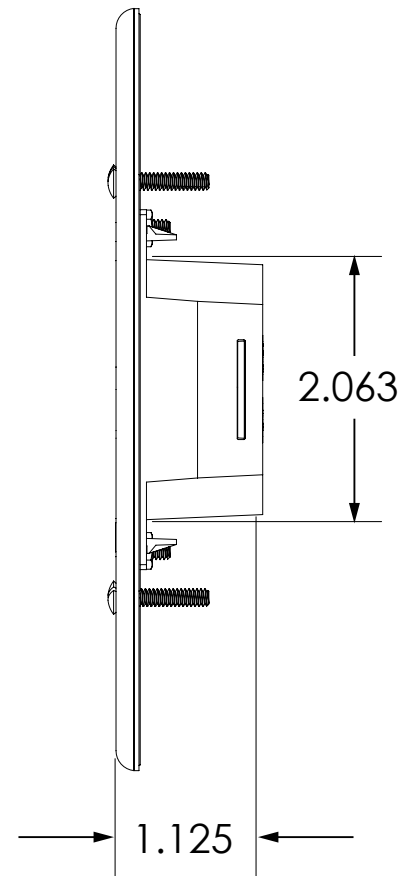
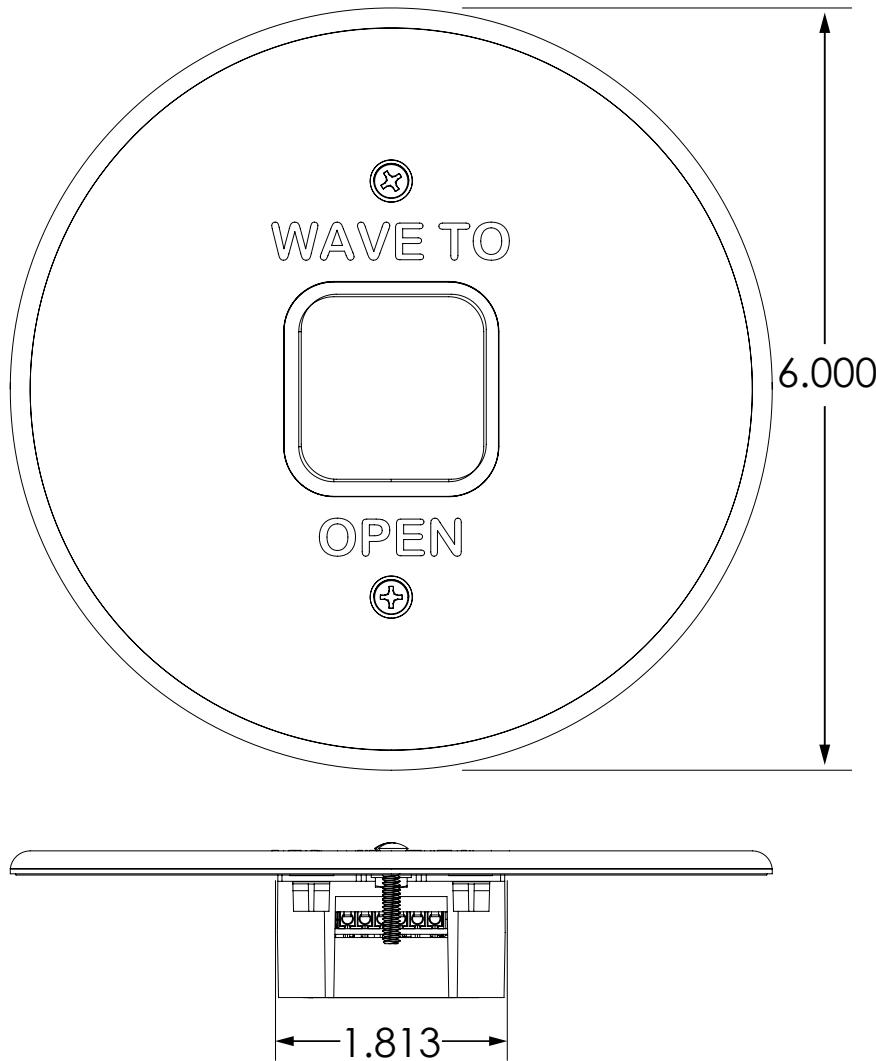
VARIETIES

P/N	DESCRIPTION	MATERIAL
10MS41-D	text + hand	Plate: stainless steel Cube: polyethelene plastic Center square: polycarbonate plastic LED ring cover: lexan
10MS41-DA	text + accessibility logo	
10MS41-DPHL	hand logo	
10MS41-DPAL	accessibility logo	
10MS41-DP	plain	

COMPATIBLE WITH

P/N	DESCRIPTION
10MSBOXDGSM	MAGIC SWITCH Surface-Mount Box (double gang) - <i>recommended</i>
10BOXDGSM	Double-gang, surface-mount box
10BOX45SQSM	4 1/2" square, surface-mount box (must use adapter bracket)
10BOX475SQSM	4 3/4" square, surface-mount box (must use adapter bracket)
10BOX45SQFM	4 1/2" square, flush-mount box (must use adapter bracket)
not sold by BEA	Double-gang electrical box
10BOLLARD series	Bollard

MS41 (6" ROUND)



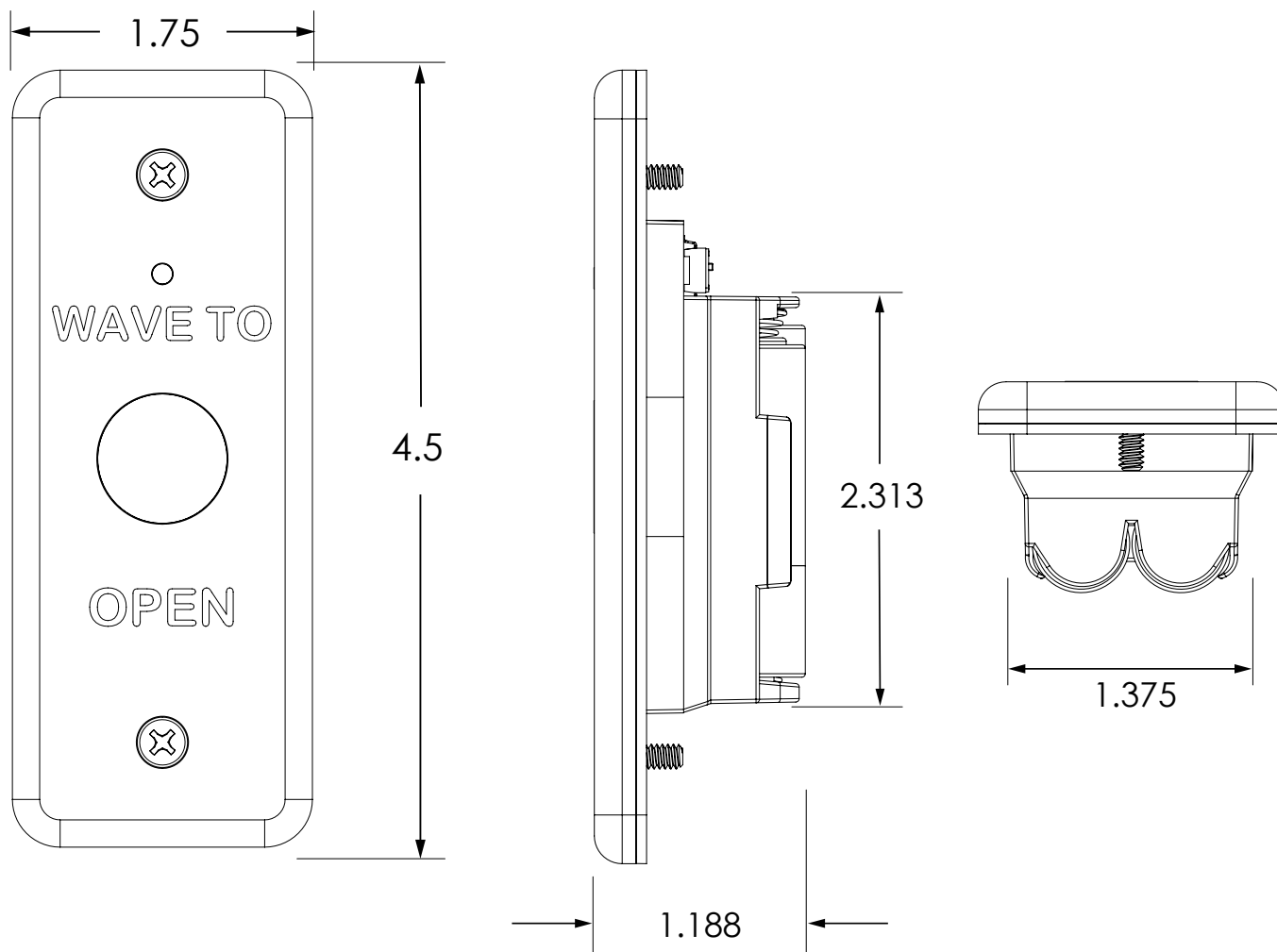
VARIETIES

P/N	DESCRIPTION	MATERIAL
10MS41-R	text + hand	Plate: stainless steel Cube: polyethelene plastic Center square: polycarbonate plastic LED ring cover: lexan
10MS41-RA	text + accessibility logo	
10MS41-RPHL	hand logo	
10MS41-RPAL	accessibility logo	
10MS41-RP	plain	

COMPATIBLE WITH

P/N	DESCRIPTION
10MSBOXRNDISM	MAGIC SWITCH Surface-Mount Box (6" round) - <i>recommended</i>
10BOX6RNDISM	6" round, surface-mount box (must use adapter bracket)
not sold by BEA	Single-gang electrical box
10BOLLARDXXXWOH	Bollard ("without hole")

MS51 (JAMB)



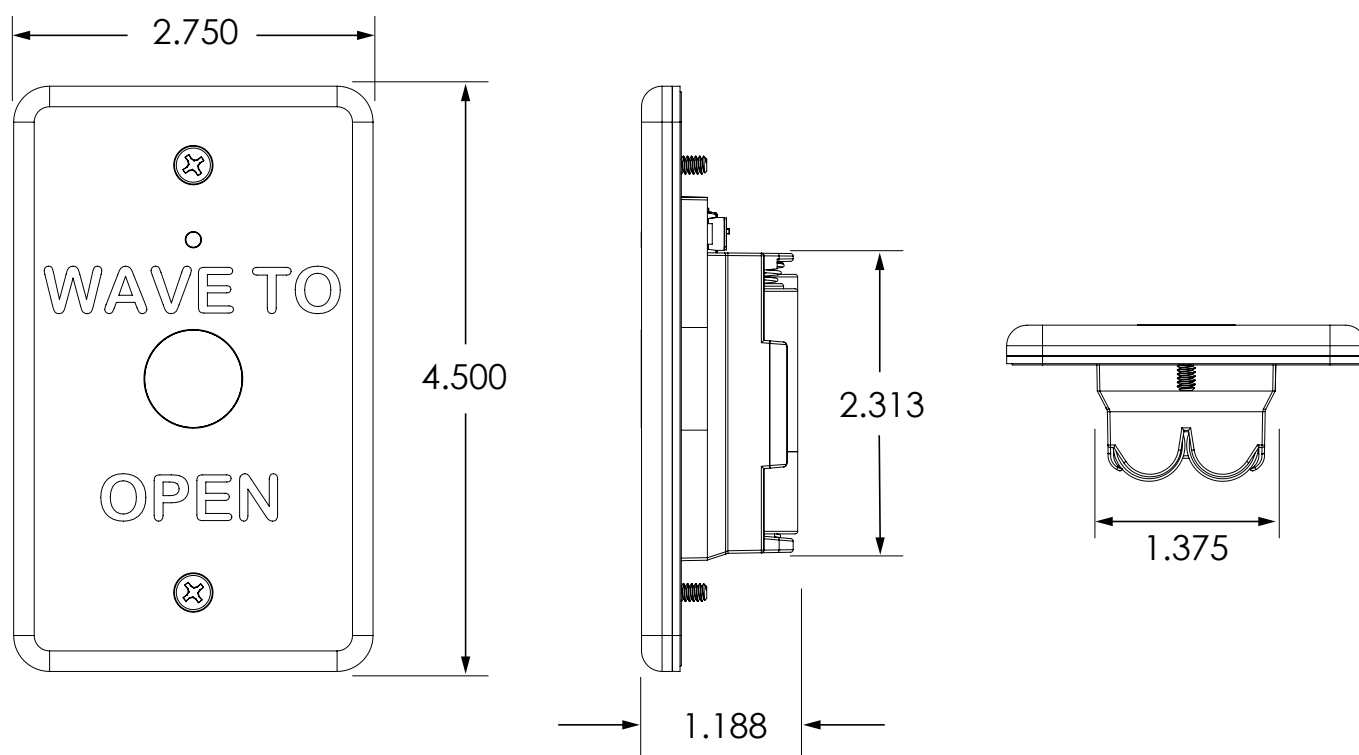
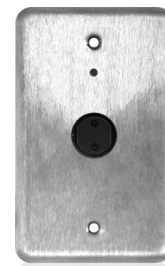
VARIETIES

P/N	DESCRIPTION	MATERIAL
10MS51-J 10MS51W-J	text + hand	Face plate: stainless steel Back plate: polycarbonate plastic
10MS51-JA 10MS51W-JA	text + accessibility logo	Face plate: stainless steel Back plate: polycarbonate plastic
10MS51-JP 10MS51W-JP	plain	Face plate: stainless steel Back plate: polycarbonate plastic
10MS51-JT 10MS51W-JT	text only	Face plate: stainless steel Back plate: polycarbonate plastic

COMPATIBLE WITH

P/N	DESCRIPTION
10MSBOXJAMBSM	MAGIC SWITCH Surface-Mount Box (jamb) - <i>recommended</i>
10BOXJAMBST	4 1/2" x 1 3/4" jamb box
10BOLLARDXXXWOH	Bollard ("without hole")

MS51 (SINGLE-GANG)



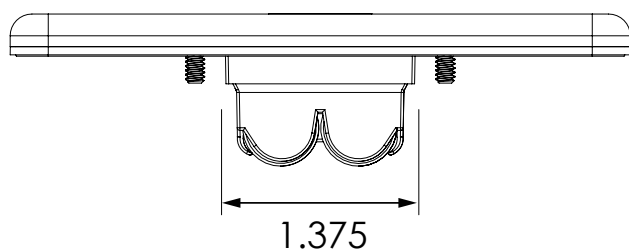
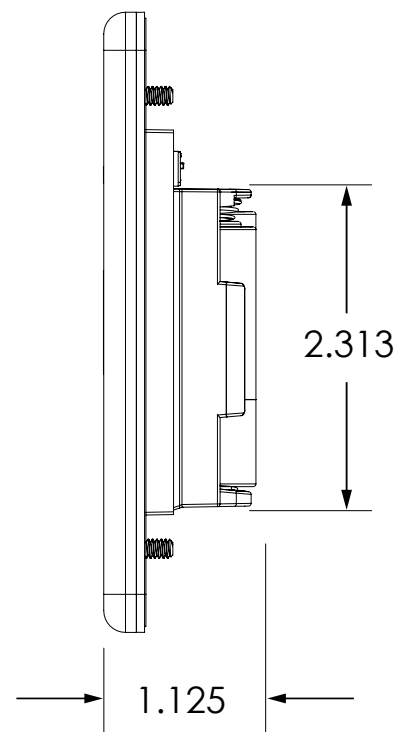
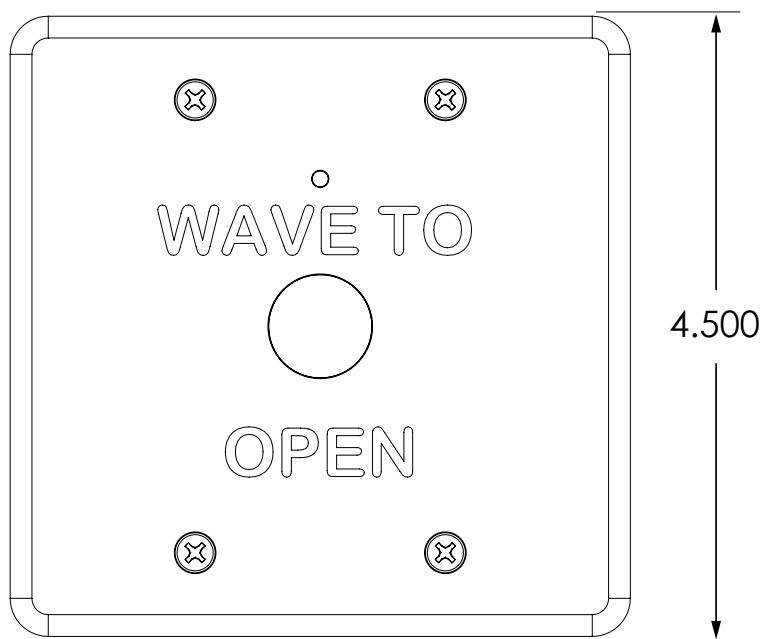
VARIETIES

P/N	DESCRIPTION	MATERIAL
10MS51-S 10MS51W-S	text + hand	Face plate: stainless steel Back plate: polycarbonate plastic
10MS51-SA 10MS51W-SA	text + accessibility logo	Face plate: stainless steel Back plate: polycarbonate plastic
10MS51-SP 10MS51W-SP	plain	Face plate: stainless steel Back plate: polycarbonate plastic
10MS51-ST 10MS51W-ST	text only	Face plate: stainless steel Back plate: polycarbonate plastic

COMPATIBLE WITH

P/N	DESCRIPTION
10MSBOXSGSM	MAGIC SWITCH Surface-Mount Box (single gang) - <i>recommended</i>
10BOX24SGSM	Single-gang, surface-mount box
10BOLLARDXXXWOH	Bollard ("without hole")

MS51 (DOUBLE-GANG)



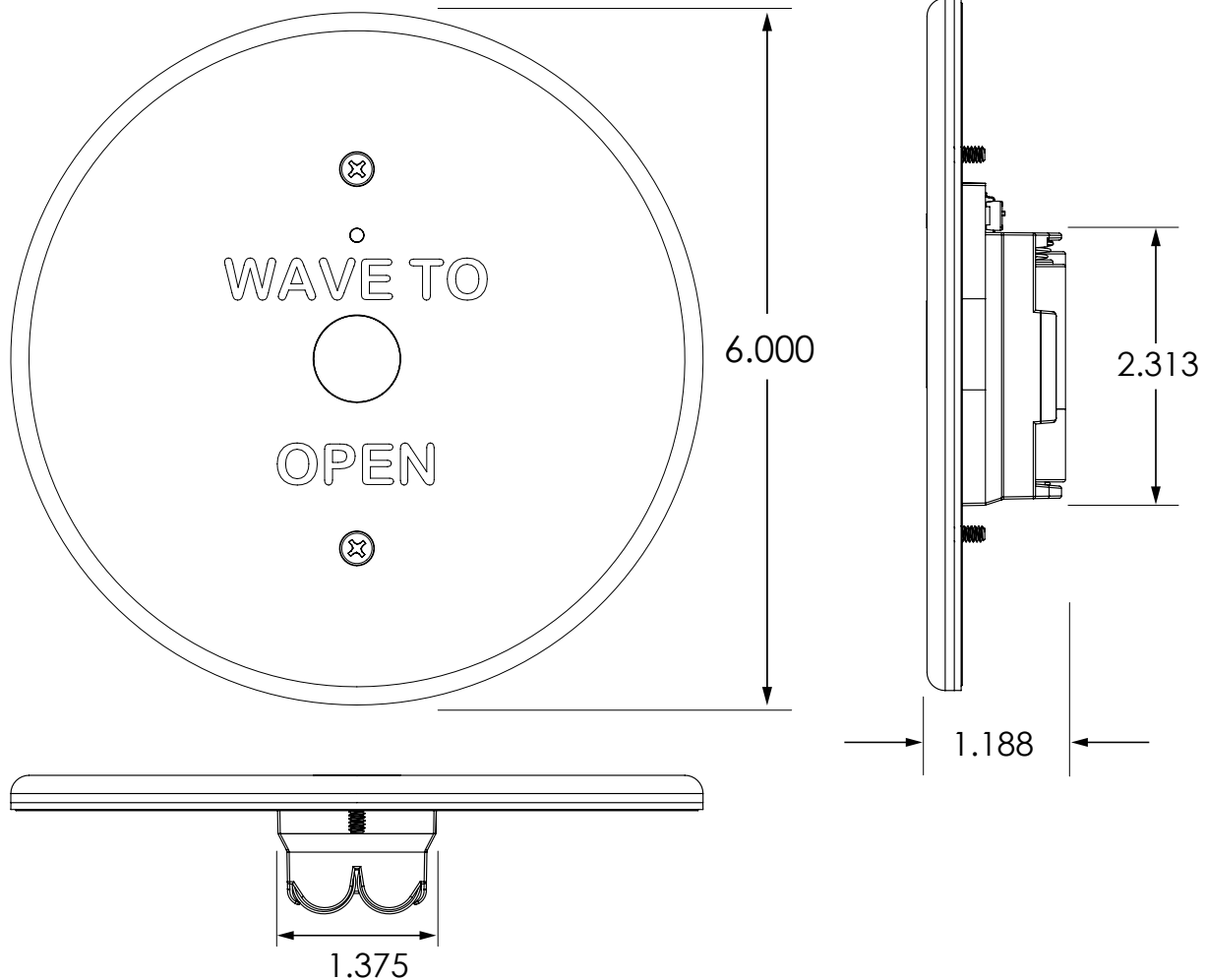
VARIETIES

P/N	DESCRIPTION	MATERIAL
10MS51-D 10MS51W-D	text + hand	Face plate: stainless steel Back plate: polycarbonate plastic
10MS51-DA 10MS51W-DA	text + accessibility logo	Face plate: stainless steel Back plate: polycarbonate plastic
10MS51-DP 10MS51W-DP	plain	Face plate: stainless steel Back plate: polycarbonate plastic
10MS51-DT 10MS51W-DT	text only	Face plate: stainless steel Back plate: polycarbonate plastic

COMPATIBLE WITH

P/N	DESCRIPTION
10MSBOXDGSM	MAGIC SWITCH Surface-Mount Box (double gang) - <i>recommended</i>
10BOXDGSM	Double-gang, surface-mount box
10BOX45SQSM	4 1/2" square, surface-mount box (must use adapter bracket)
10BOX475SQSM	4 3/4" square, surface-mount box (must use adapter bracket)
10BOX45SQFM	4 1/2" square, flush-mount box (must use adapter bracket)
not sold by BEA	Double-gang electrical box
10BOLLARD series	Bollard

MS51 (6" ROUND)



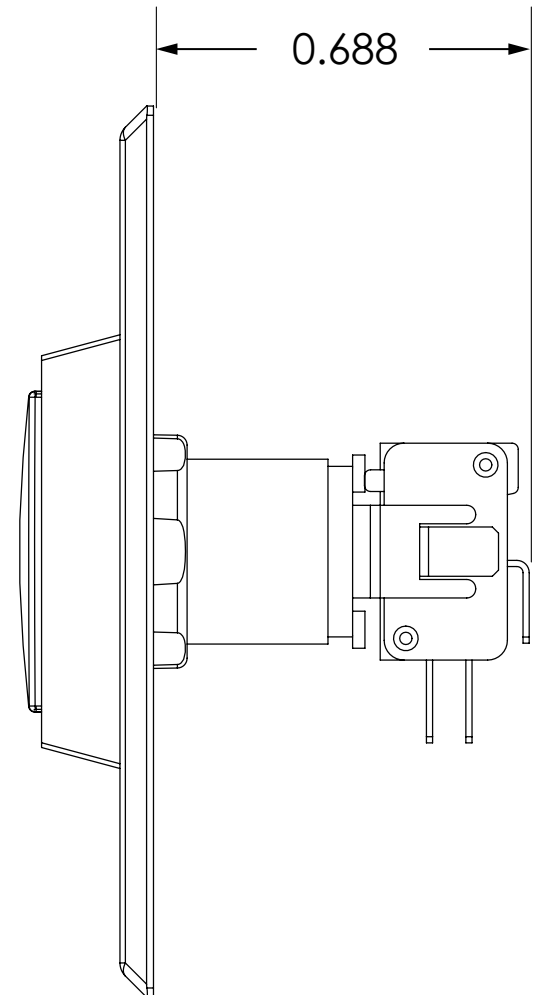
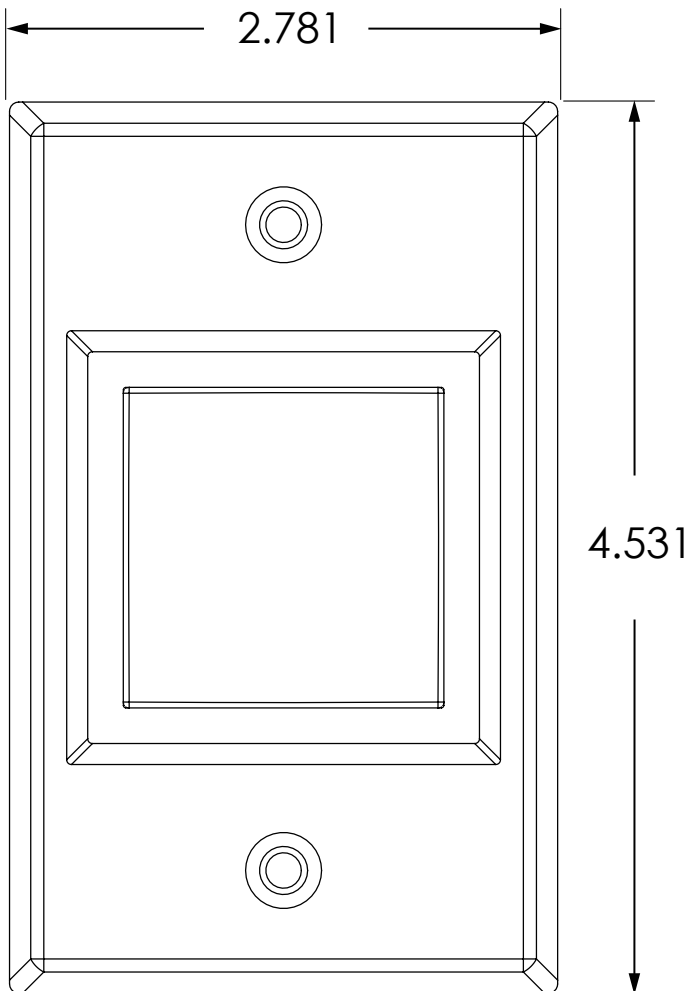
VARIETIES

P/N	DESCRIPTION	MATERIAL
10MS51-R 10MS51W-R	text + hand	Face plate: stainless steel Back plate: polycarbonate plastic
10MS51-RA 10MS51W-RA	text + accessibility logo	Face plate: stainless steel Back plate: polycarbonate plastic
10MS51-RP 10MS51W-RP	plain	Face plate: stainless steel Back plate: polycarbonate plastic
10MS51-RT 10MS51W-RT	text only	Face plate: stainless steel Back plate: polycarbonate plastic

COMPATIBLE WITH

P/N	DESCRIPTION
10MSBOXRNDISM	MAGIC SWITCH Surface-Mount Box (6" round) - <i>recommended</i>
10BOX6RNDISM	6" round, surface-mount box (must use adapter bracket)
not sold by BEA	Single-gang electrical box
10BOLLARDXXXWOH	Bollard ("without hole")

ACCESS CONTROL PUSH BUTTONS



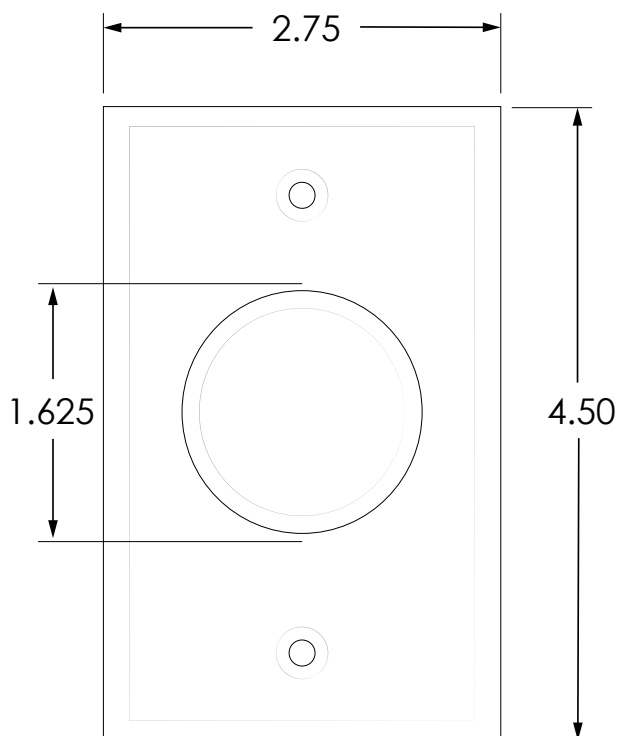
VARIETIES

P/N	DESCRIPTION	MATERIAL
10ACPBSS1	Text	Stainless steel 304
10PTLBUTTON	Text	Stainless steel 304

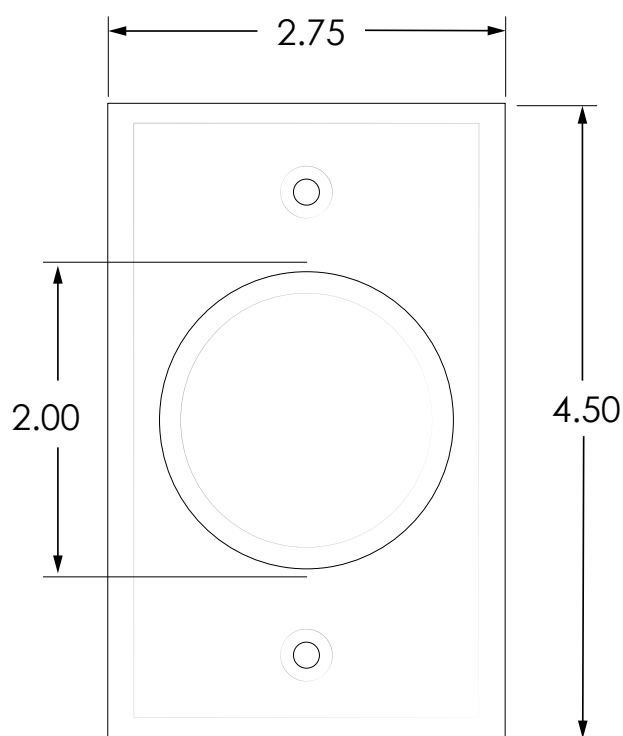
COMPATIBLE WITH

P/N	DESCRIPTION
10BOX24SGSM	Single-gang, surface-mount box
not sold by BEA	Single-gang electrical box <i>*requires box modification</i>

PNEUMATIC PUSH BUTTONS (SINGLE-GANG)



10ACPBDA4
10ACPBDA8
10ACPBDA12



10ACPBDA2
10ACPBDA6
10ACPBDA10

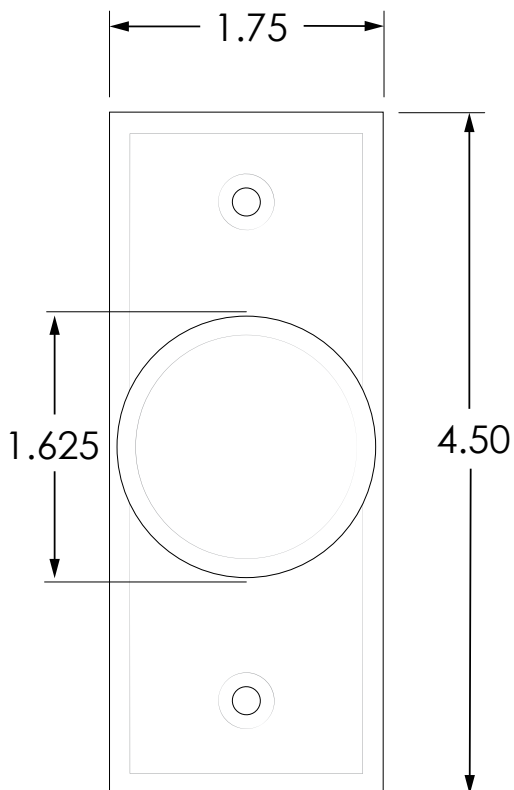
VARIETIES

P/N	DESCRIPTION	MATERIAL
10ACPBDA2	Text (red button, 2")	Stainless steel 304
10ACPBDA4	Text (red button, 1 5/8")	Stainless steel 304
10ACPBDA6	Logo (blue button, 2")	Stainless steel 304
10ACPBDA8	Logo (blue button 1 5/8")	Stainless steel 304
10ACPBDA10	Text (green button, 2")	Stainless steel 304
10ACPBDA12	Text (green button 1 5/8")	Stainless steel 304

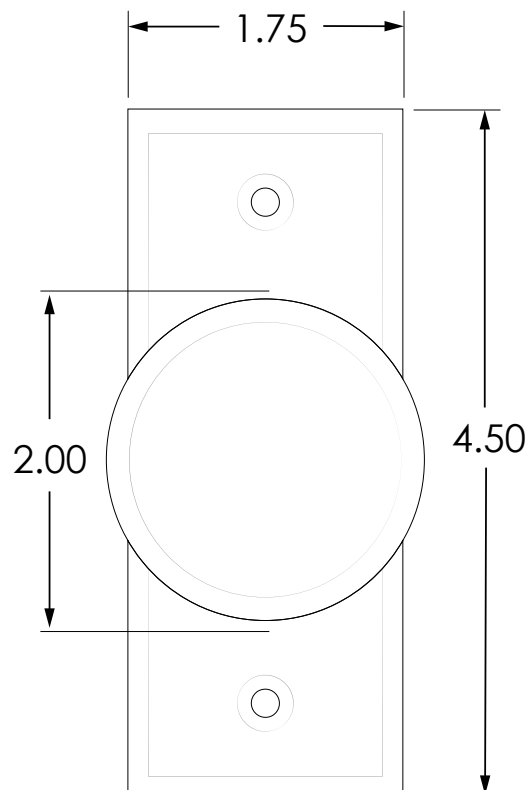
COMPATIBLE WITH

P/N	DESCRIPTION
10BOX24SGSM	Single-gang, surface-mount box
not sold by BEA	Single-gang electrical box

PNEUMATIC PUSH BUTTONS (JAMB)



10ACPBDA3
10ACPBDA7
10ACPBDA11



10ACPBDA1
10ACPBDA5
10ACPBDA9

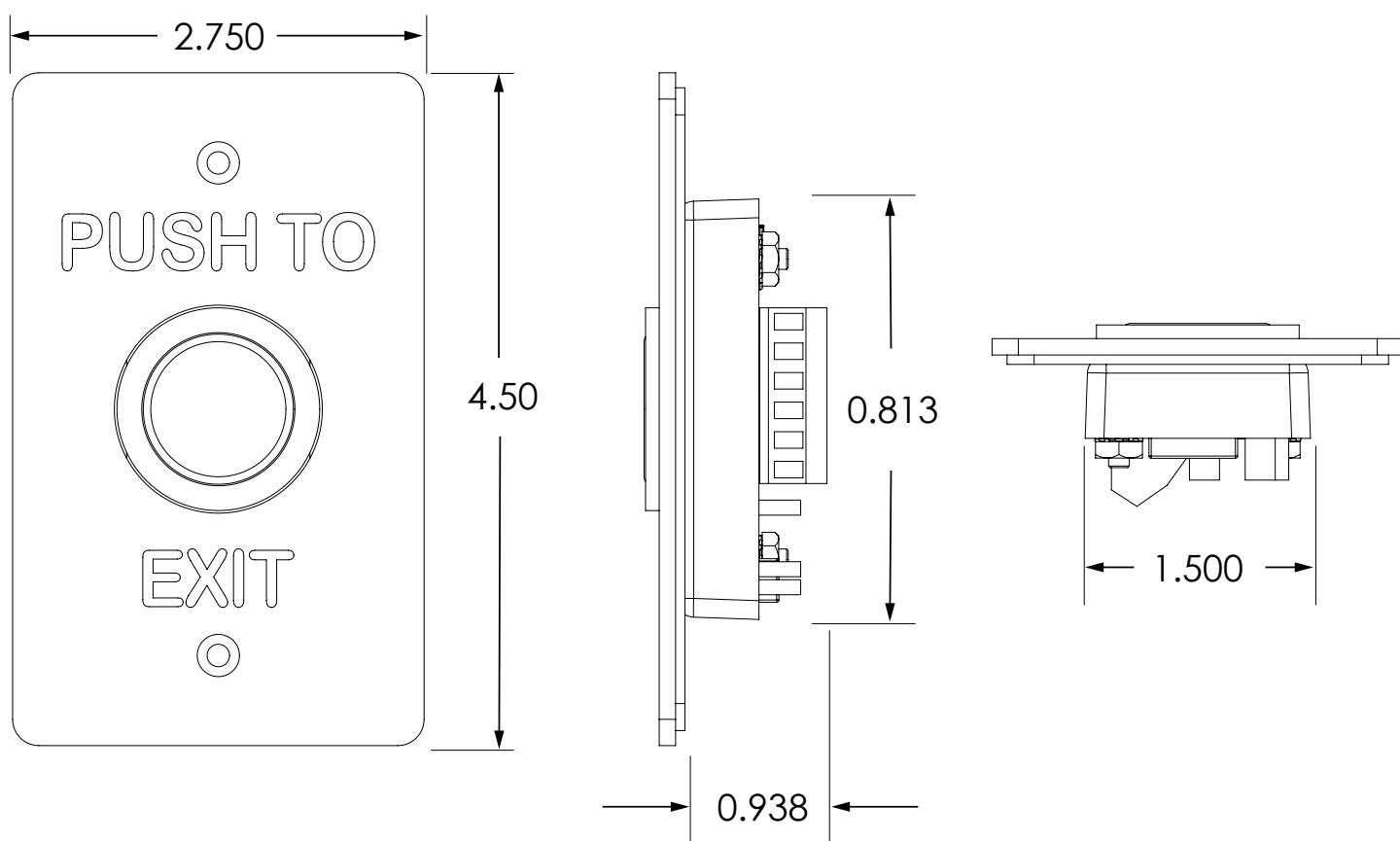
VARIETIES

P/N	DESCRIPTION	MATERIAL
10ACPBDA1	Text (red button, 2")	Stainless steel 304
10ACPBDA3	Text (red button, 1 5/8")	Stainless steel 304
10ACPBDA5	Logo (blue button, 2")	Stainless steel 304
10ACPBDA7	Logo (blue button 1 5/8")	Stainless steel 304
10ACPBDA9	Text (green button, 2")	Stainless steel 304
10ACPBDA11	Text (green button 1 5/8")	Stainless steel 304

COMPATIBLE WITH

P/N	DESCRIPTION
10BOXJAMBST	4 1/2" x 1 3/4" jamb box <i>*must be installed with spacer</i>

PIEZO BUTTONS



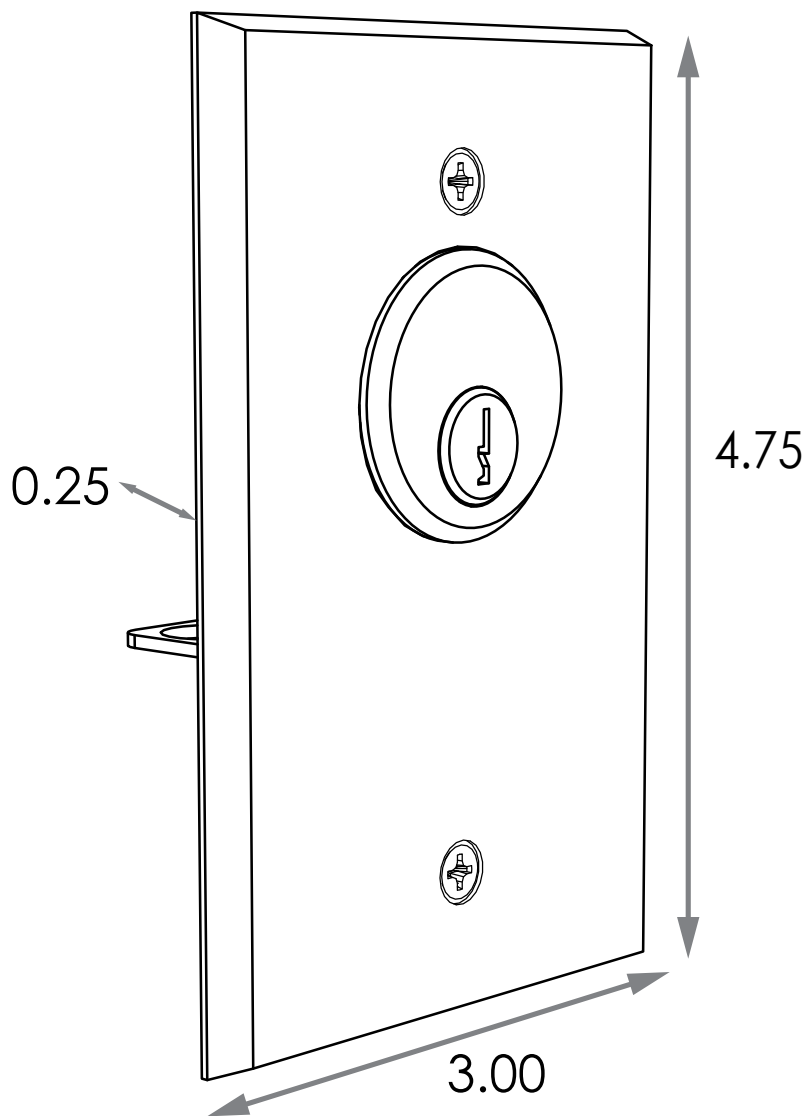
VARIETIES

P/N	DESCRIPTION	MATERIAL
10PIEZO241	Text	Stainless Steel 304

COMPATIBLE WITH

P/N	DESCRIPTION
10BOX24SGSM	Single-gang, surface-mount box
not sold by BEA	Single-gang electrical box

KEYSWITCH (SINGLE-GANG)



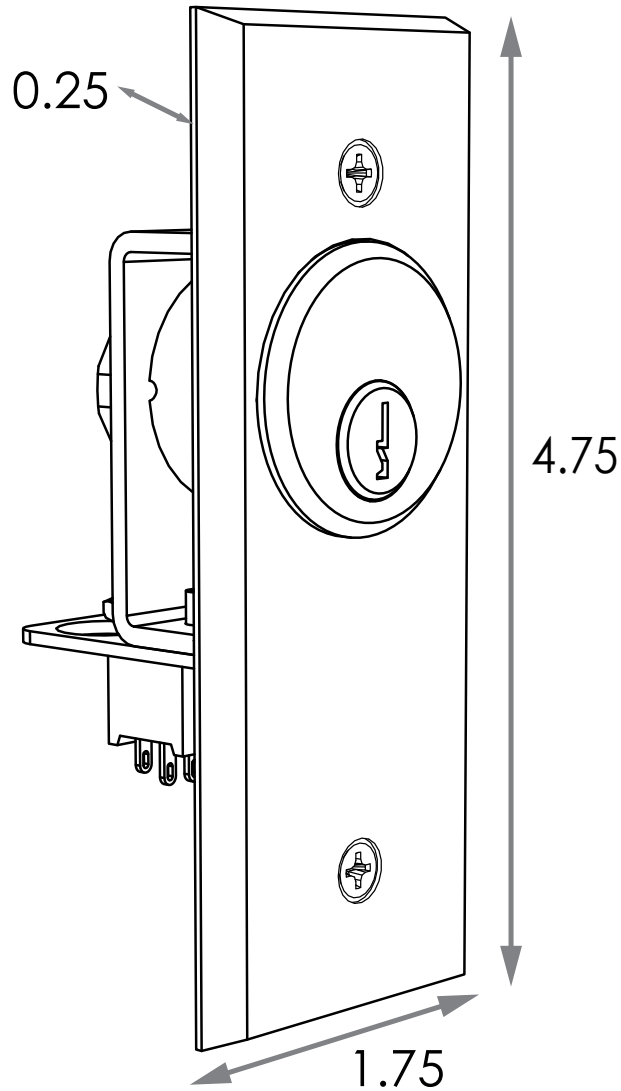
VARIETIES

P/N	DESCRIPTION	MATERIAL
10KEYSWITCHMOM	Momentary	Stainless steel 304
10KEYSWITCHONF	Maintained	Stainless steel 304

COMPATIBLE WITH

P/N	DESCRIPTION
not sold by BEA	Single-gang electrical box

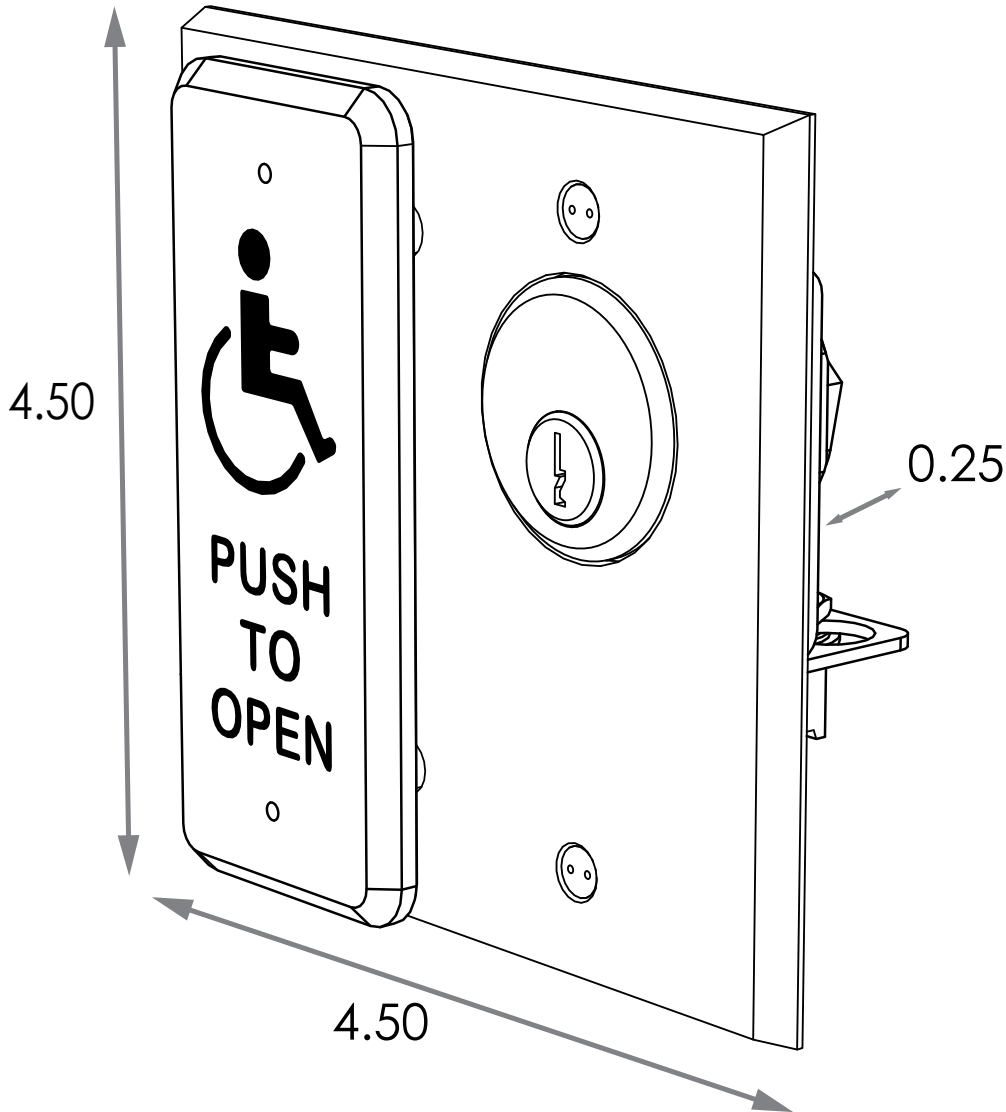
KEYSWITCH (JAMB)



VARIETIES

P/N	DESCRIPTION	MATERIAL
10JAMBSWITCHMOM	Momentary	Stainless steel 304
10JAMBSWITCHONF	Maintained	Stainless steel 304

COMBO PLATE



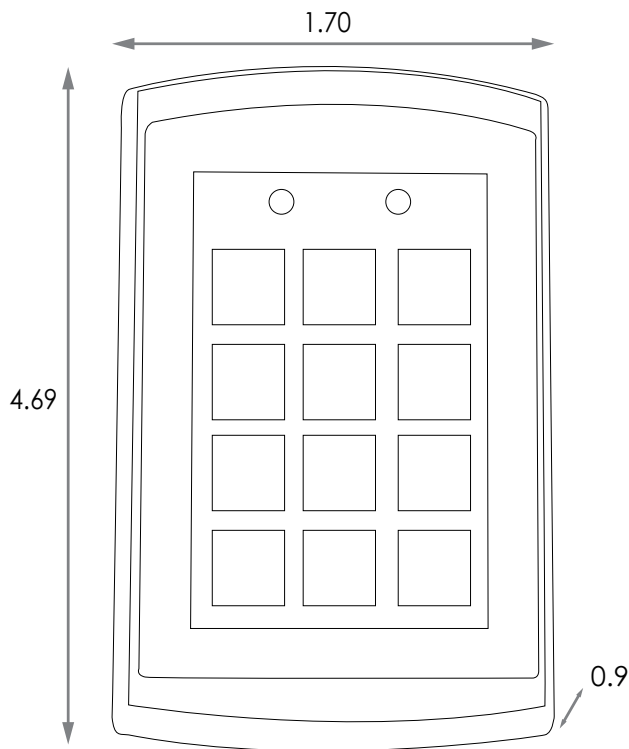
VARIETIES

P/N	DESCRIPTION	MATERIAL
10COMBOPLATEMOM	Momentary	Stainless steel 304
10COMBOPLATE	Maintained	Stainless steel 304

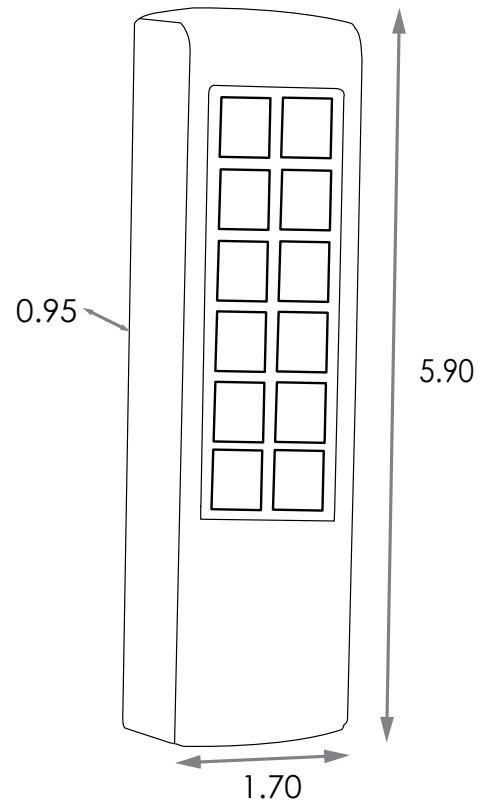
COMPATIBLE WITH

P/N	DESCRIPTION
10BOXDGSM	Double-gang, surface-mount box

UNIVERSAL KEYPADS



10KEYPADU

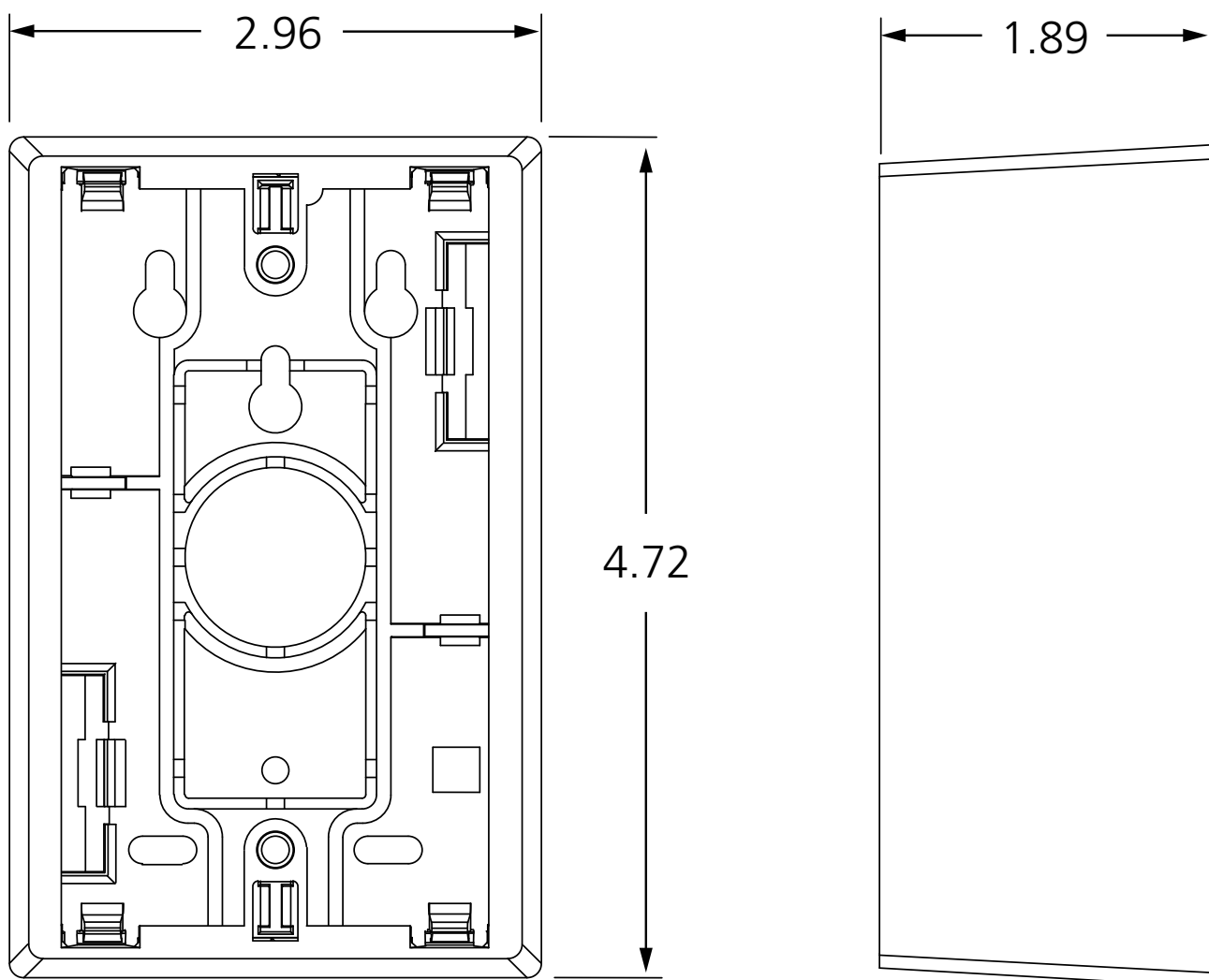


10KEYPADUSL

VARIETIES

P/N	DESCRIPTION	MATERIAL
10KEYPADU	Universal keypad	Stainless steel 304
10KEYPADUSL	Universal slim-line keypad	Stainless steel 304

SINGLE-GANG, SURFACE-MOUNT BOX



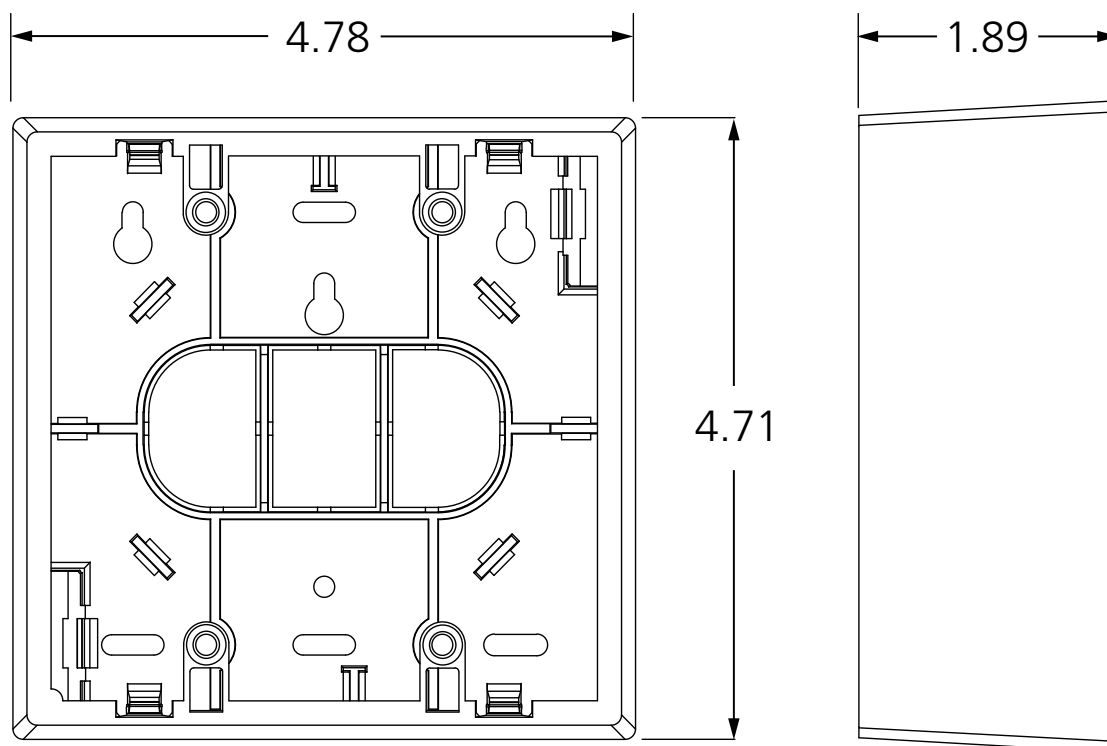
VARIETIES

P/N	MATERIAL
10BOX24SGSM	ABS plastic

COMPATIBLE WITH

4 1/2" round push plate	6" round push plate
4 1/2" square push plate	6" square push plate
4 3/4" square push plate	Single-gang push plate
MS31 (single gang)	MS41 (single gang)
MS51 (single gang)	

DOUBLE-GANG, SURFACE-MOUNT BOX



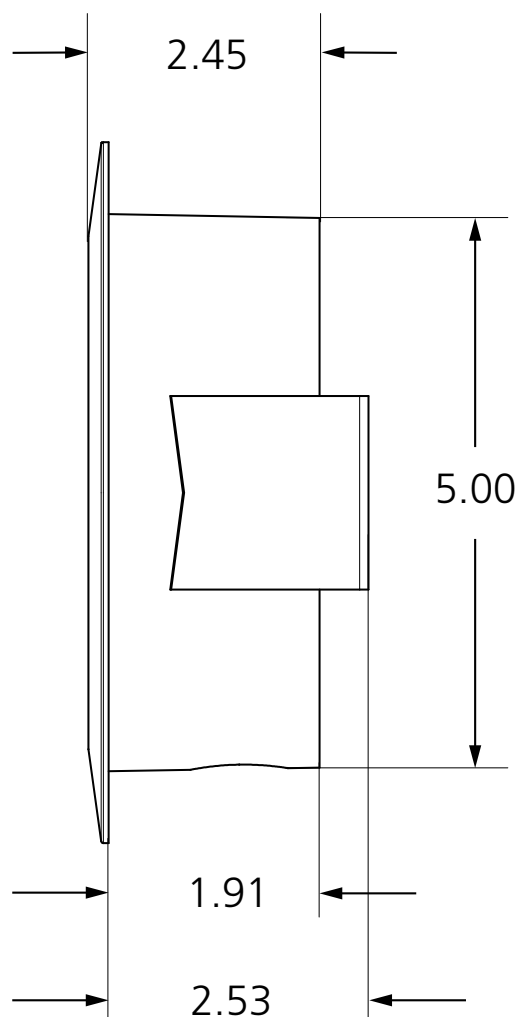
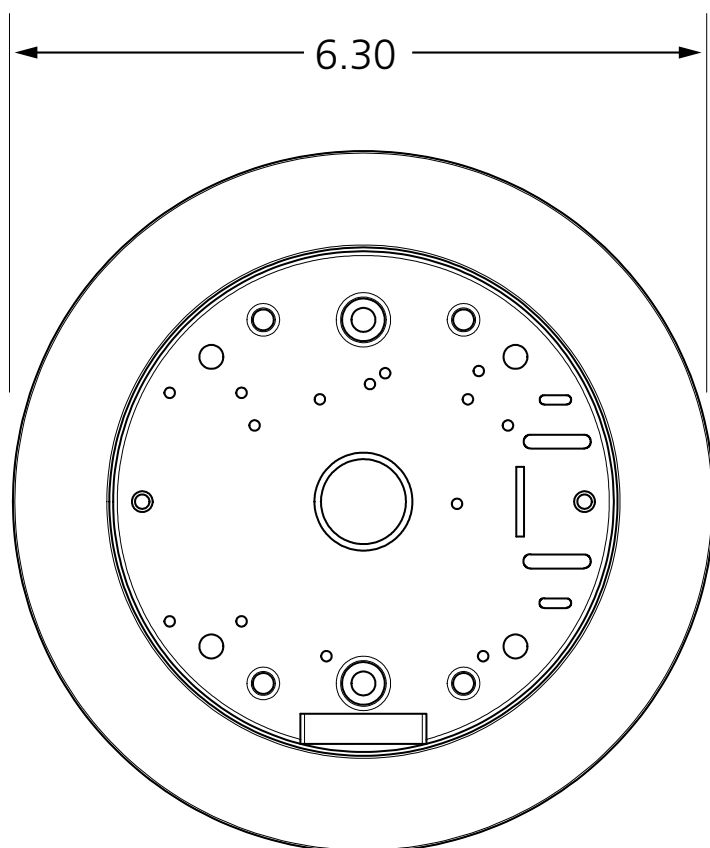
VARIETIES

P/N	MATERIAL
10BOXDGSM	ABS plastic

COMPATIBLE WITH

4 1/2" square push plate	6" round push plate (10BRINGC required)
4 3/4" square push plate (10BRINGC required)	6" square push plate (10BRINGC required)
Vestibule push plate	MS31 (double gang)
MS41 (double gang)	MS51 (double gang)

4 1/2" ROUND, FLUSH-MOUNT BOX



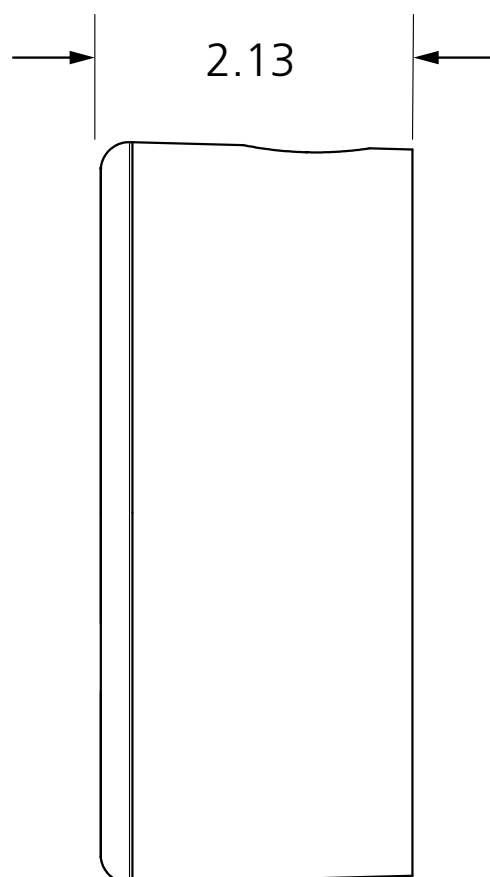
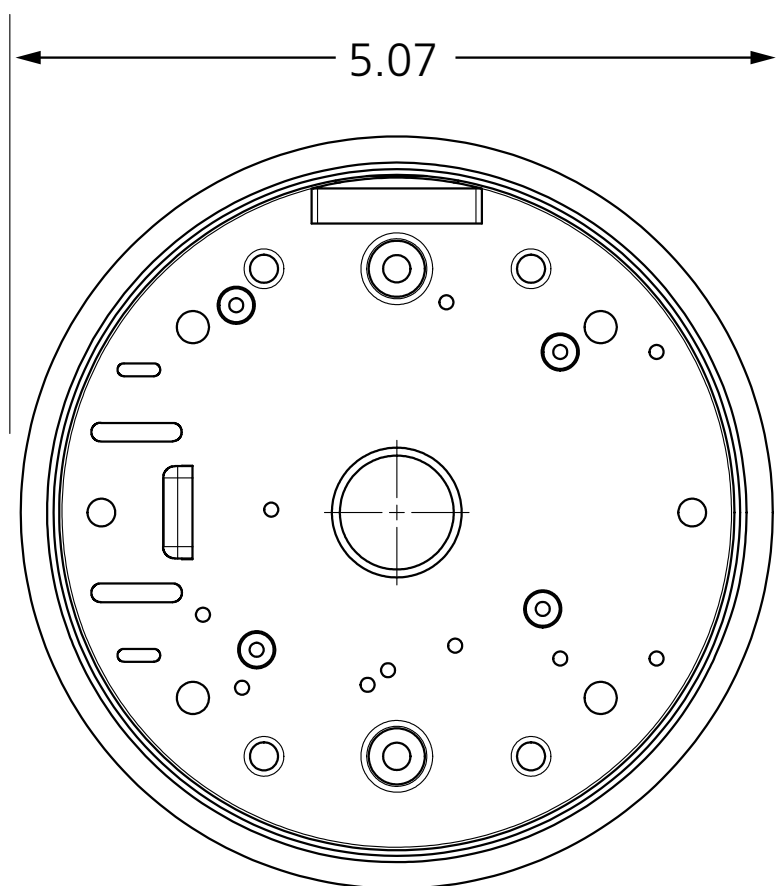
VARIETIES

P/N	MATERIAL
10BOX45RNDFM	ABS plastic

COMPATIBLE WITH

4 1/2" round push plate

4 1/2" ROUND, SURFACE-MOUNT BOX



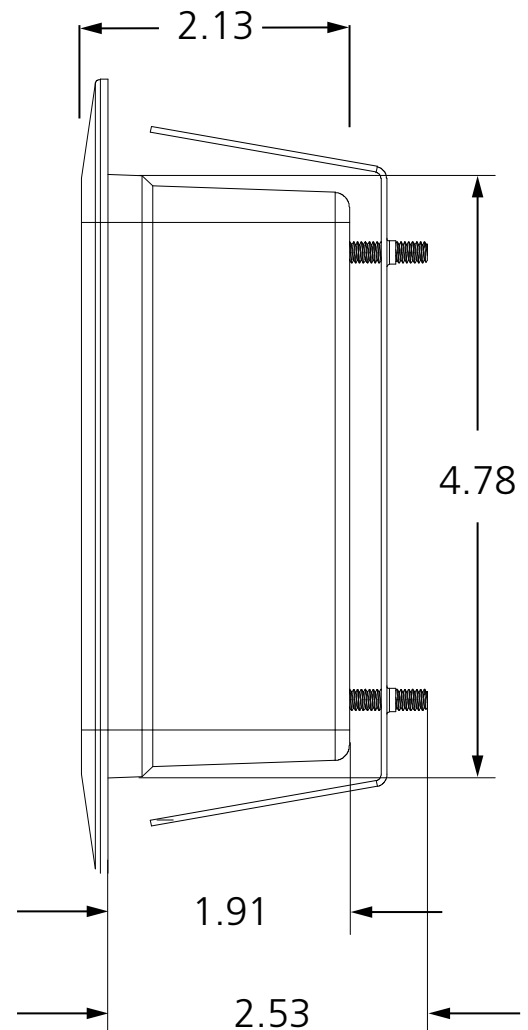
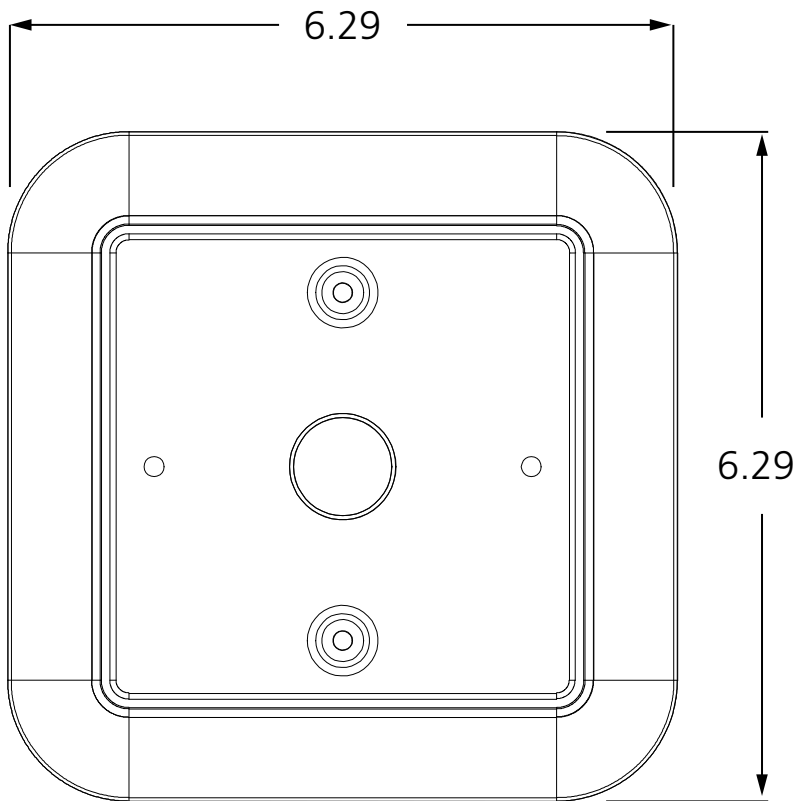
VARIETIES

P/N	MATERIAL
10BOX45RNDISM	ABS plastic

COMPATIBLE WITH

4 1/2" round push plate

4 1/2" SQUARE, FLUSH-MOUNT BOX



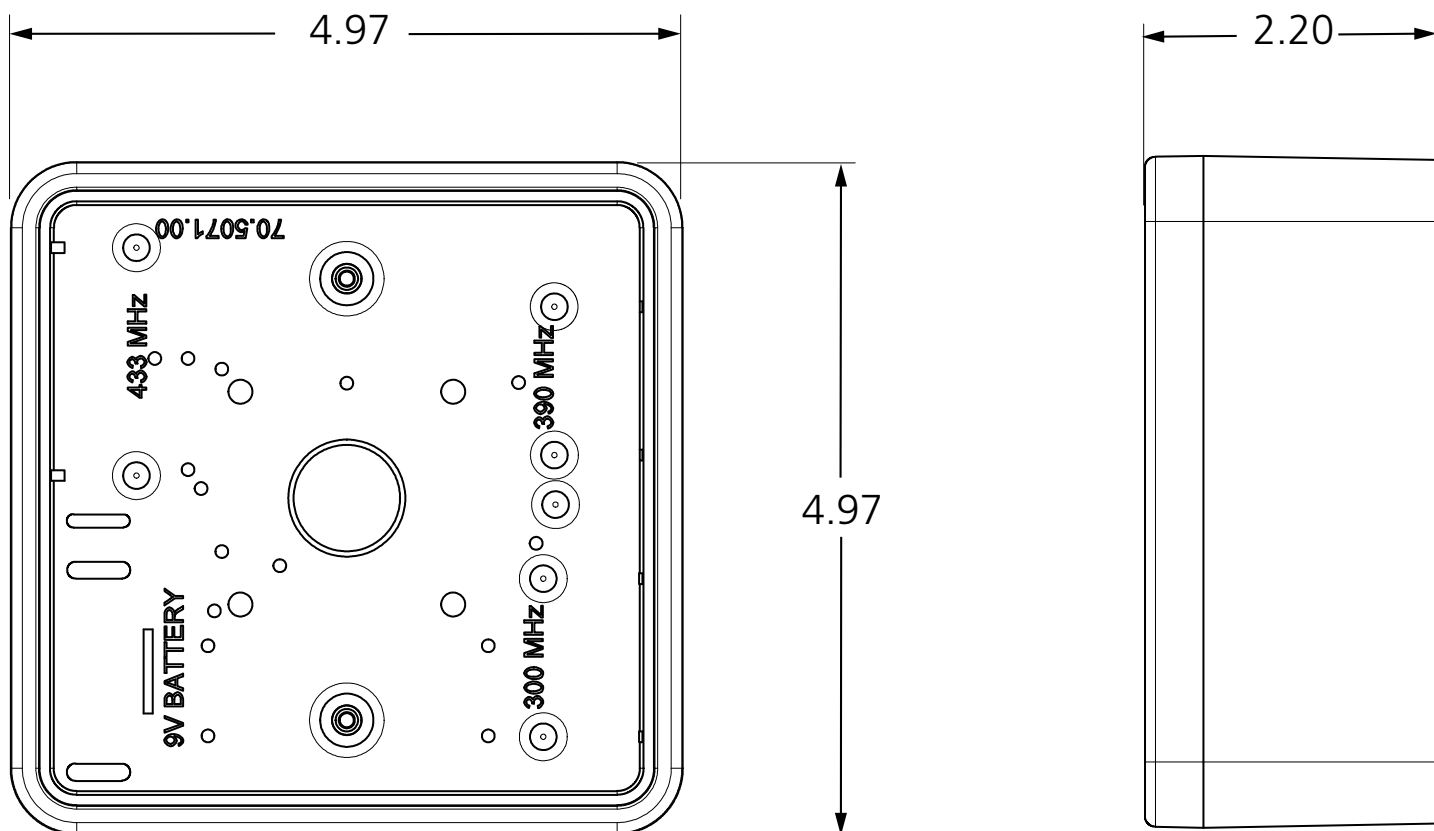
VARIETIES

P/N	MATERIAL
10BOX45SQFM	ABS plastic

COMPATIBLE WITH

4 1/2" square push plate	MS31 (double gang)
MS41 (double gang)	MS51 (double gang)

4 1/2" SQUARE, SURFACE-MOUNT BOX



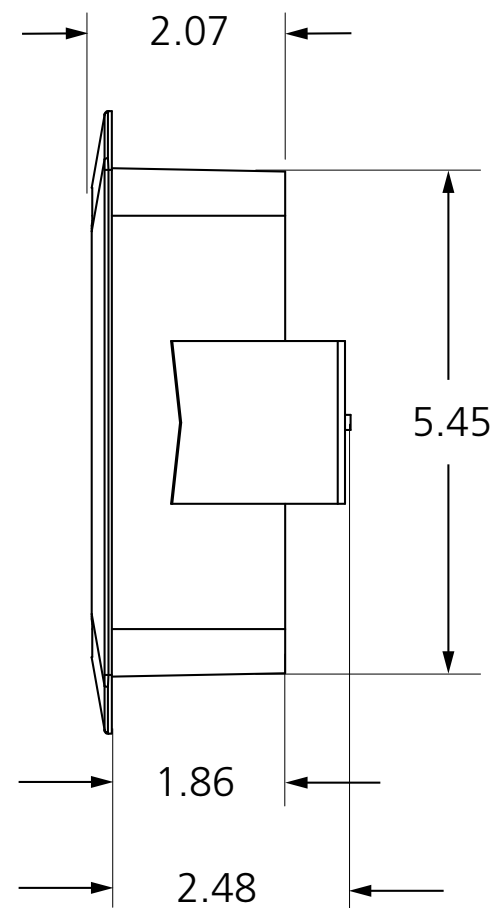
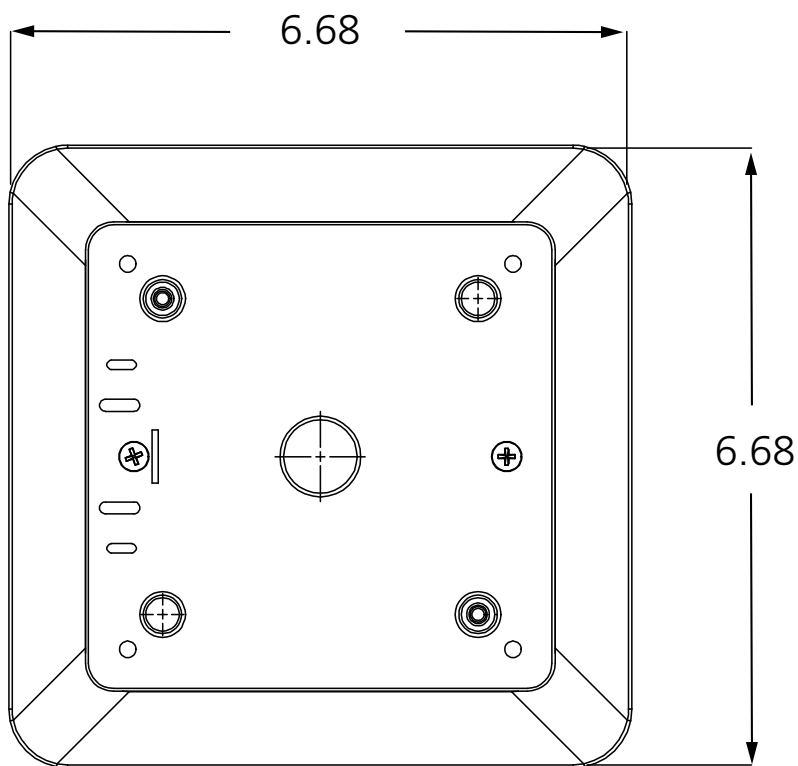
VARIETIES

P/N	MATERIAL
10BOX45SQSM	ABS plastic

COMPATIBLE WITH

4 1/2" square push plate	MS31 (double gang)
MS41 (double gang)	MS51 (double gang)

4 3/4" SQUARE, FLUSH-MOUNT BOX



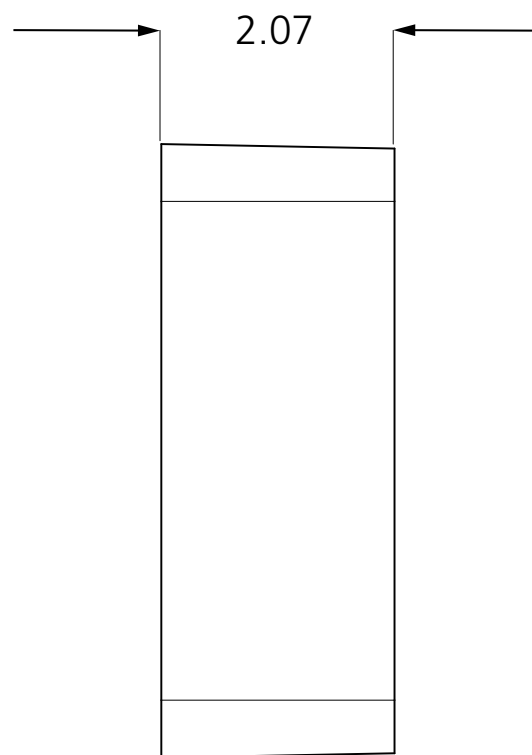
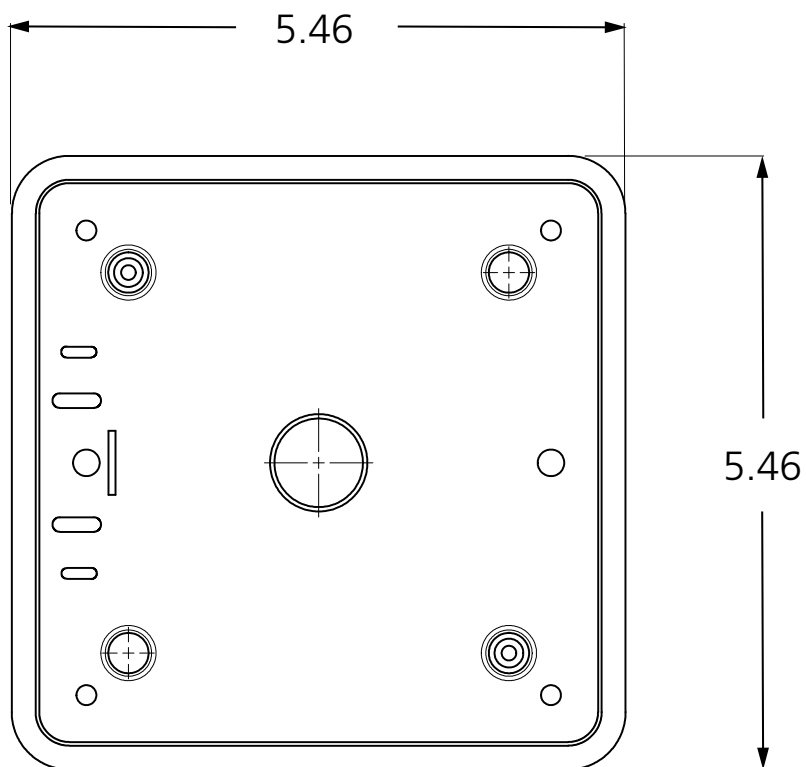
VARIETIES

P/N	MATERIAL
10BOX475SQFM	ABS plastic

COMPATIBLE WITH

4 3/4" square push plate
Vestibule push plate

4 3/4" SQUARE, SURFACE-MOUNT BOX



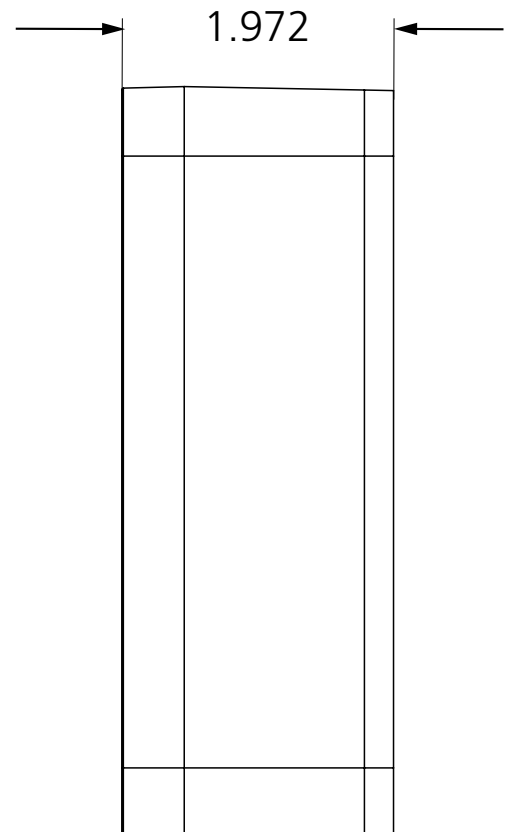
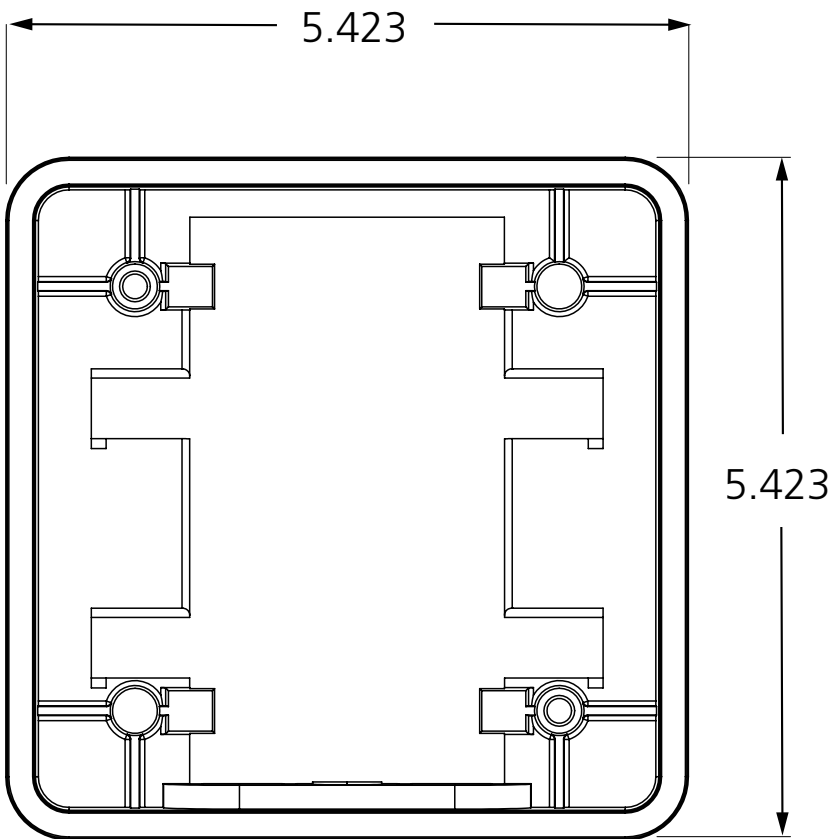
VARIETIES

P/N	MATERIAL
10BOX475SQSM	ABS plastic

COMPATIBLE WITH

4 3/4" square push plate	Vestibule push plate
MS31 (double gang)	MS41 (double gang)
MS51 (double gang)	

4 3/4" SQUARE, EASY BATTERY ACCESS BOX



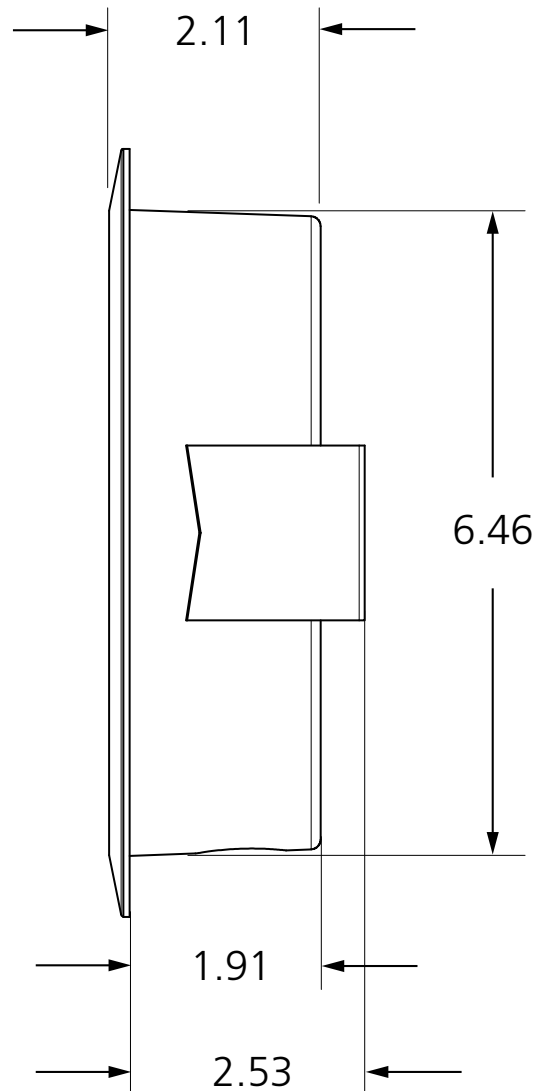
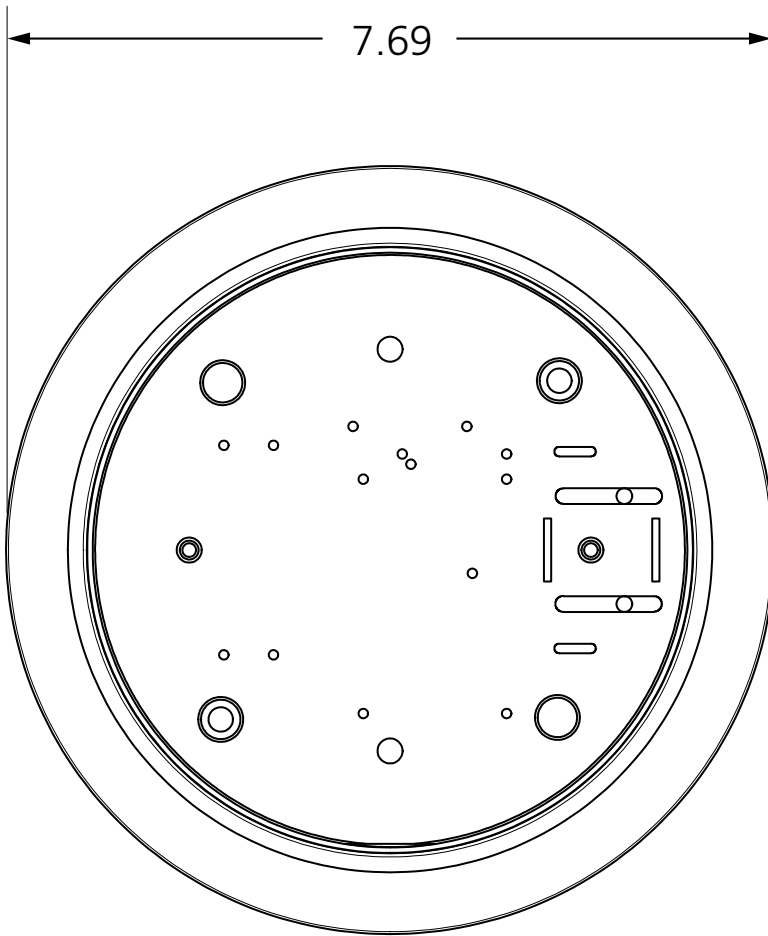
VARIETIES

P/N	MATERIAL
10BOX475SQSMEBA	ABS plastic

COMPATIBLE WITH

4 3/4" square push plate
Vestibule push plate

6" ROUND, FLUSH-MOUNT BOX



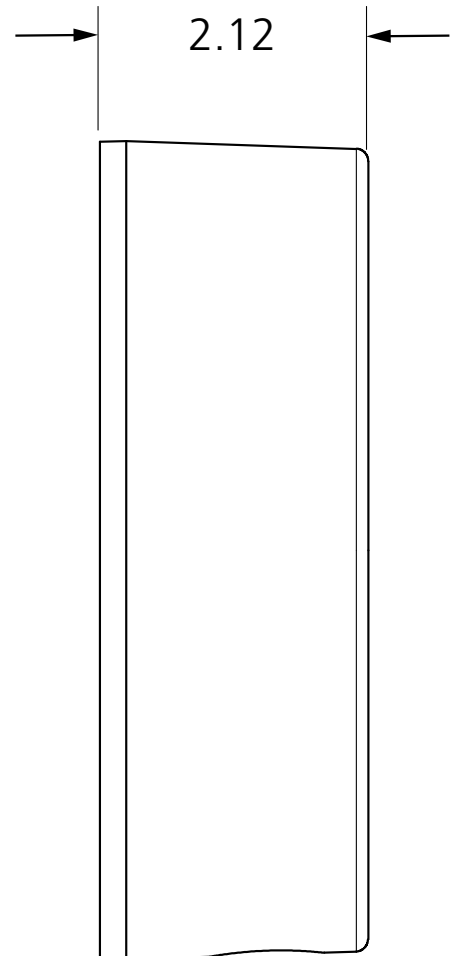
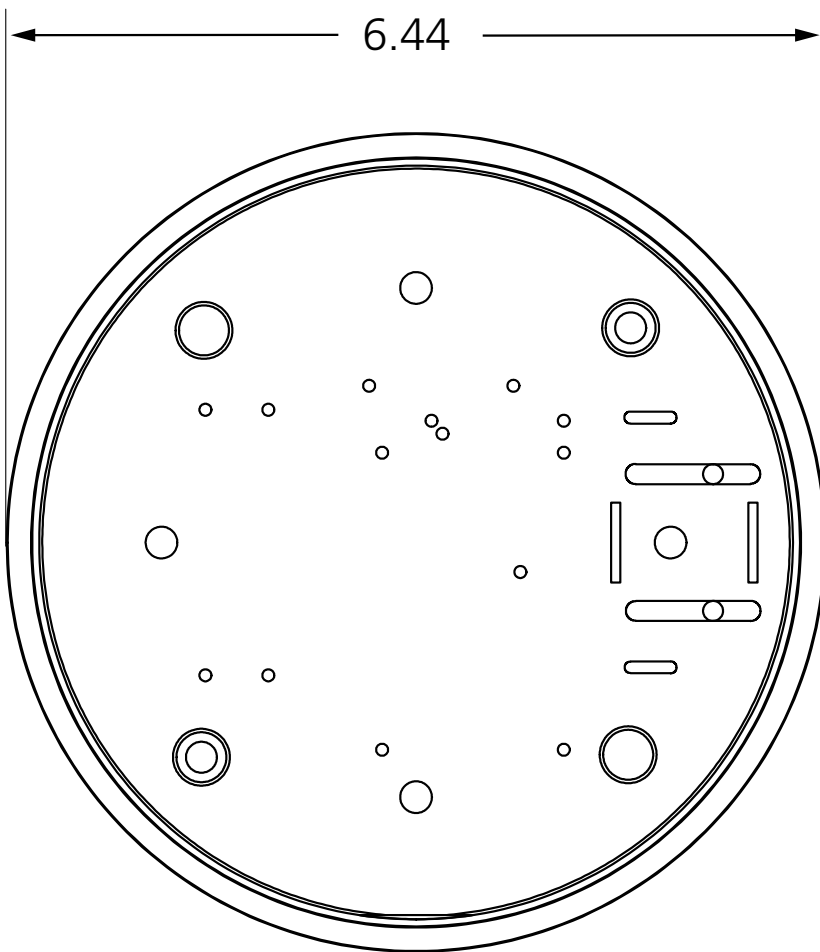
VARIETIES

P/N	MATERIAL
10BOX6RNDFM	ABS plastic

COMPATIBLE WITH

6" round push plate

6" ROUND, SURFACE-MOUNT BOX



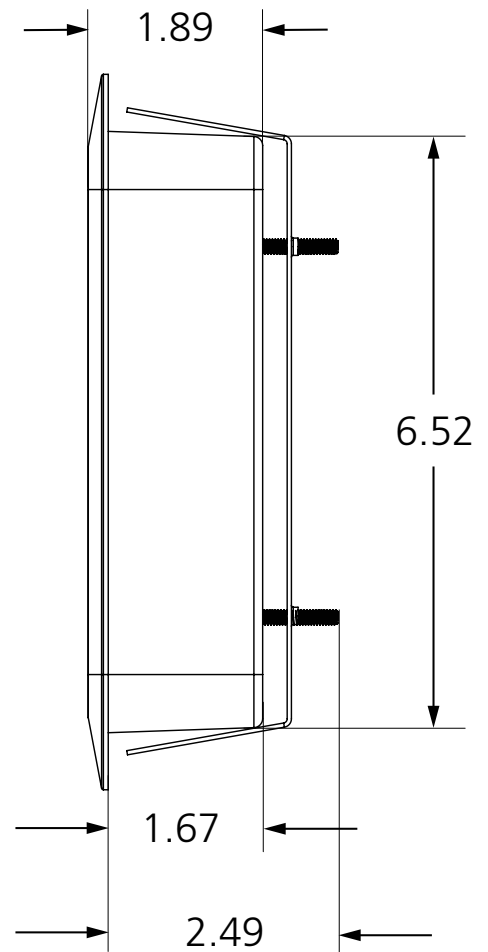
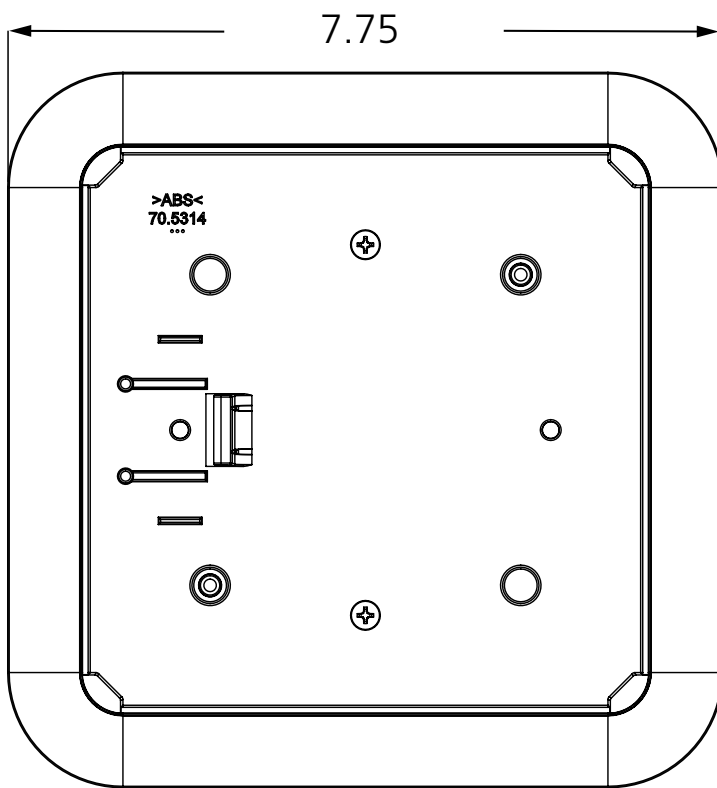
VARIETIES

P/N	MATERIAL
10BOX6RNDSTM	ABS plastic

COMPATIBLE WITH

6" round push plate	MS31 (6" round)
MS41 (6" round)	MS51 (6" round)

6" SQUARE, FLUSH-MOUNT BOX



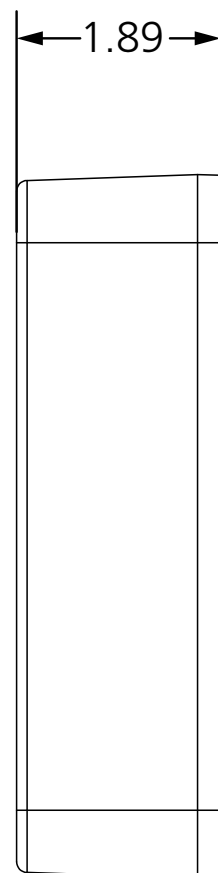
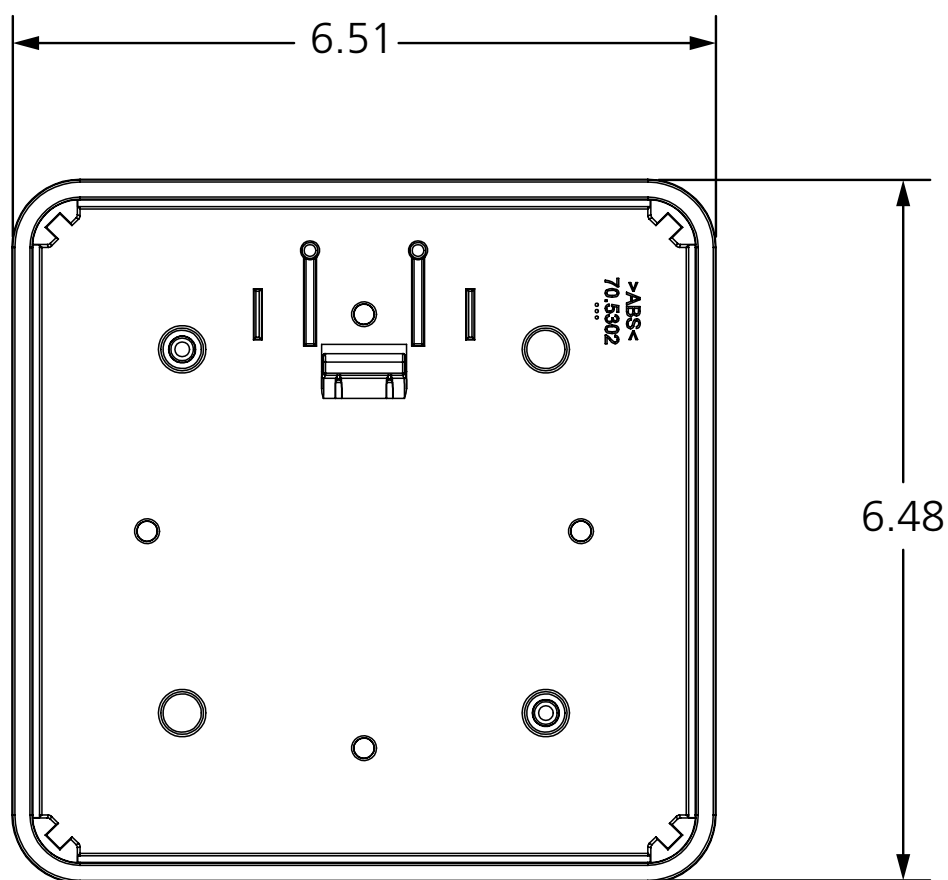
VARIETIES

P/N	MATERIAL
10BOX6SQFM	ABS plastic

COMPATIBLE WITH

6" square push plate

6" SQUARE, SURFACE-MOUNT BOX



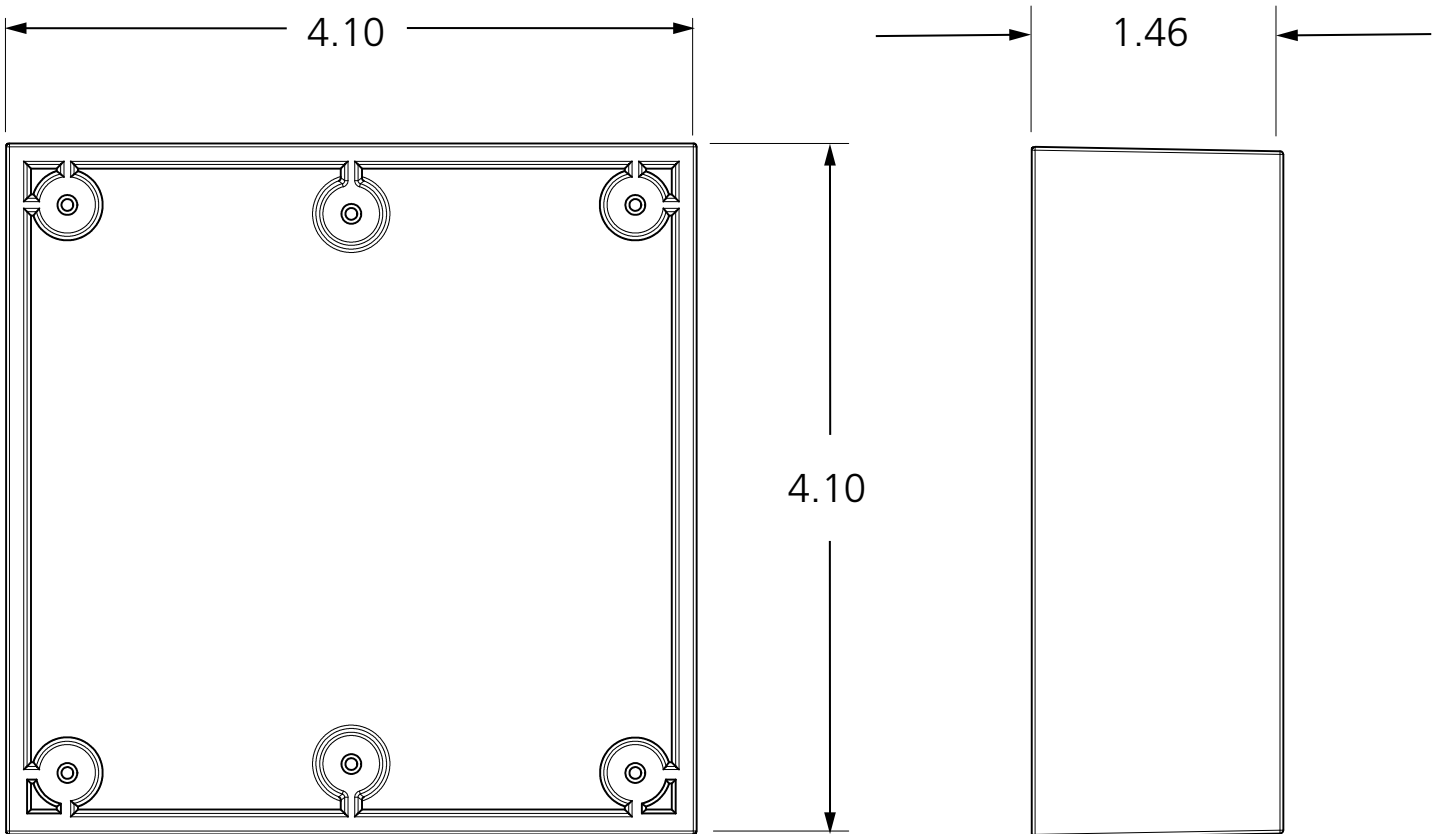
VARIETIES

P/N	MATERIAL
10BOX6SQSM	ABS plastic

COMPATIBLE WITH

6" square push plate

DOUBLE-GANG, NON-METALLIC BOX



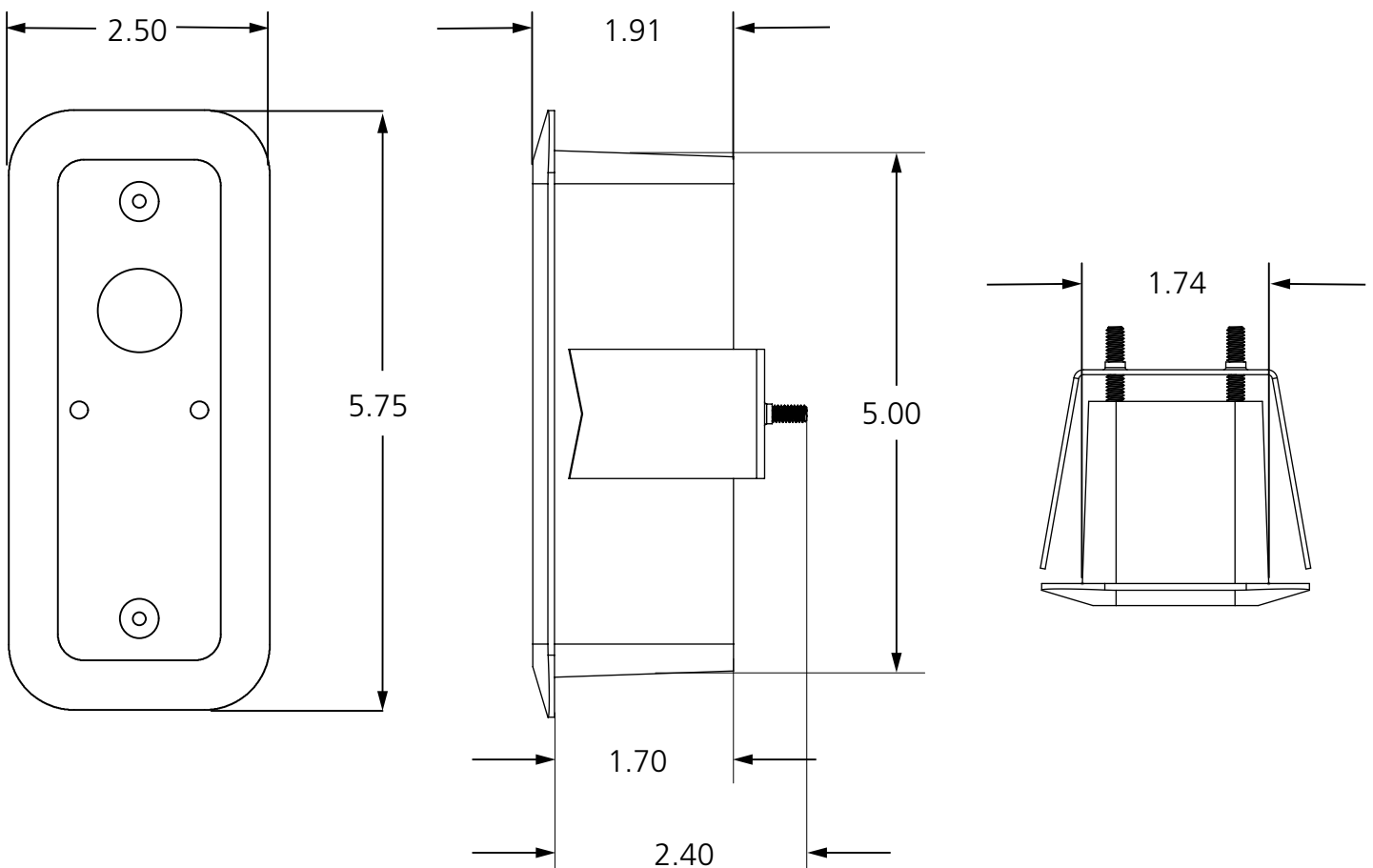
VARIETIES

P/N	MATERIAL
10BOXDG4H	ABS plastic

COMPATIBLE WITH

4 1/2" square push plate	6" round push plate
4 3/4" square push plate	6" square push plate
Vestibule push plate	

JAMB, FLUSH-MOUNT BOX



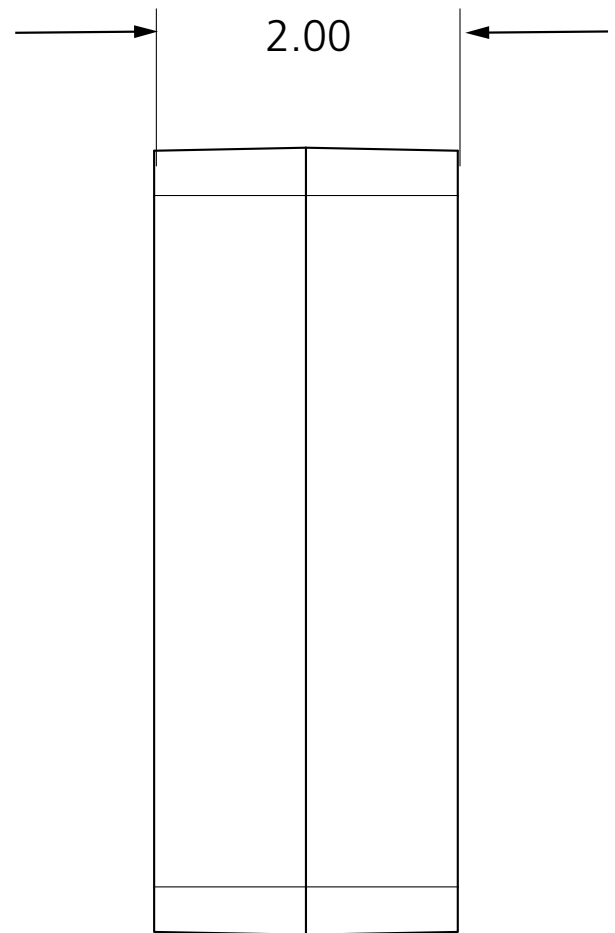
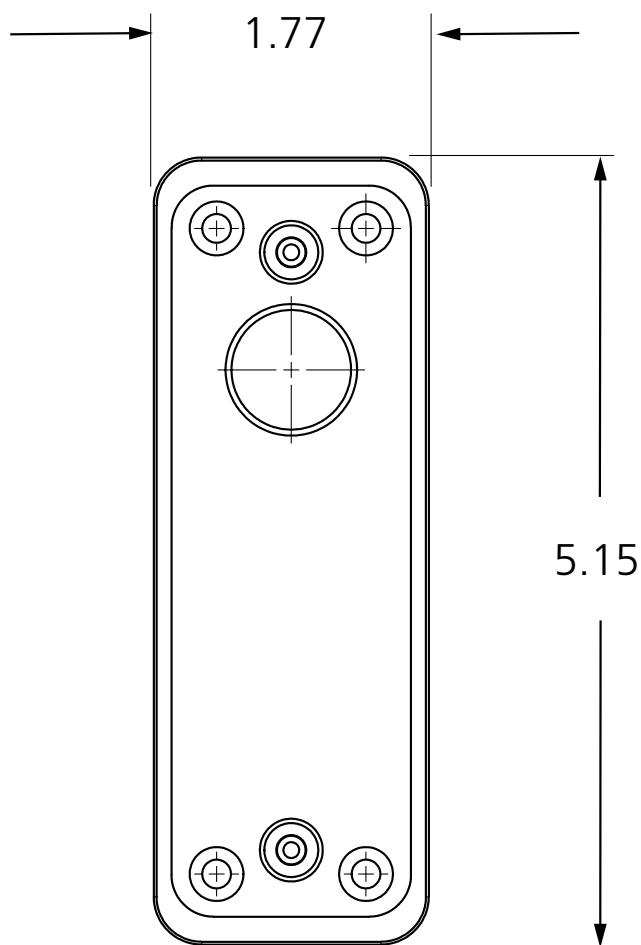
VARIETIES

P/N	MATERIAL
10BOXJAMBFM	ABS plastic

COMPATIBLE WITH

4 3/4" x 1 1/2" jamb push plates

JAMB, SURFACE-MOUNT BOX



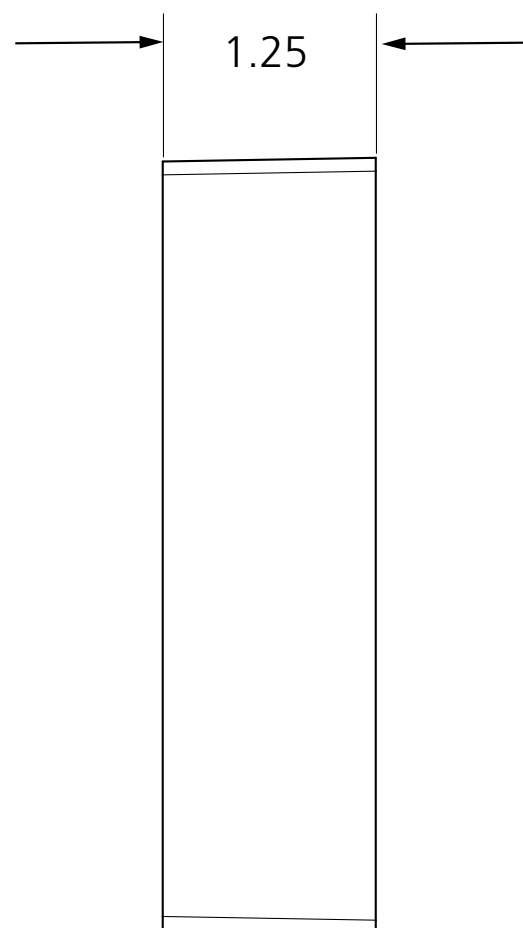
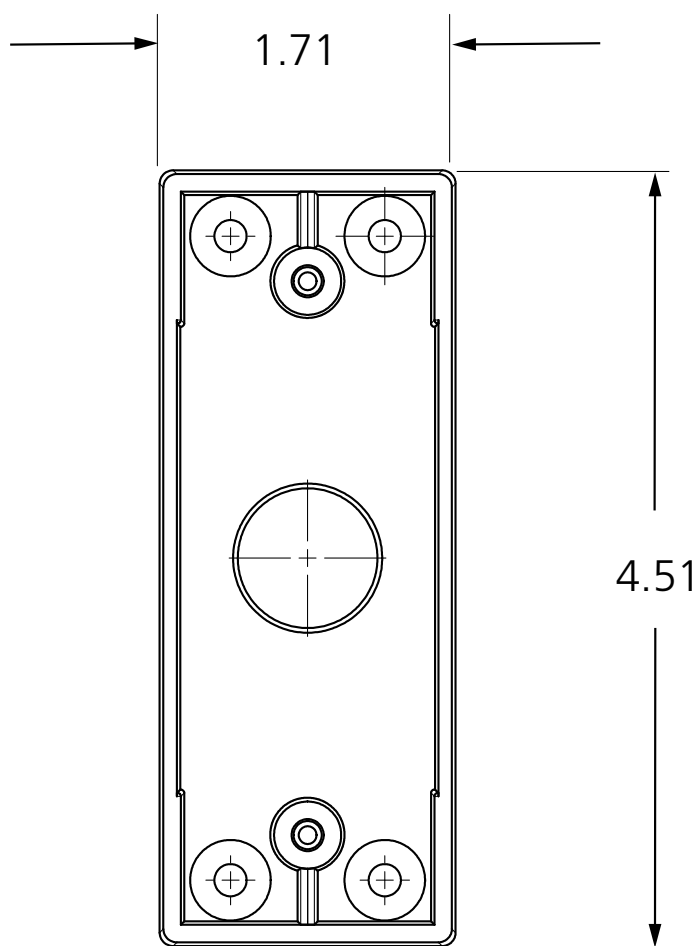
VARIETIES

P/N	MATERIAL
10BOXJAMBSM	ABS plastic

COMPATIBLE WITH

4 3/4" x 1 1/2" jamb push plates

JAMB (4 1/2" × 1 3/4") BOX



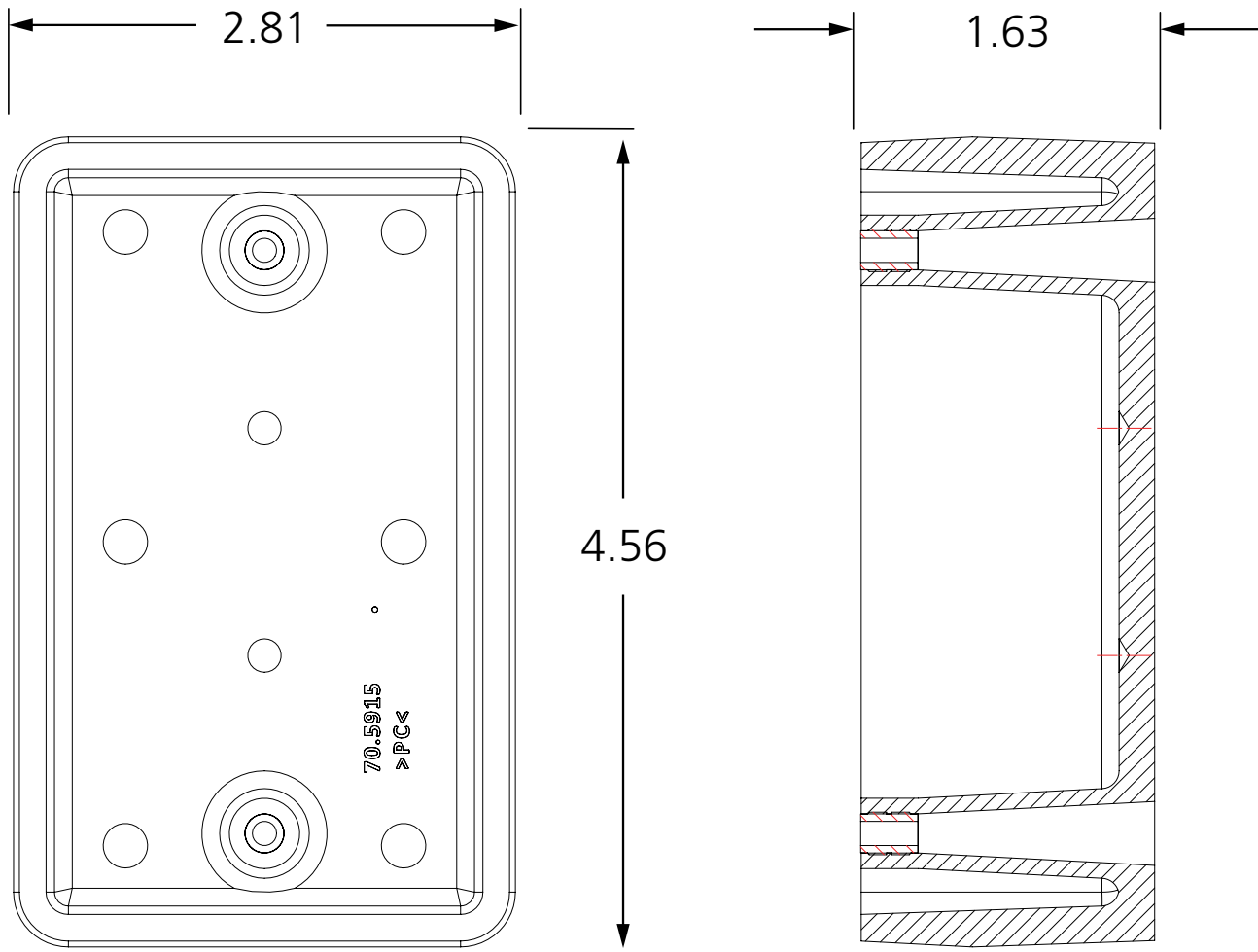
VARIETIES

P/N	MATERIAL
10BOXJAMBST	ABS plastic

COMPATIBLE WITH

4 1/2" × 1 3/4" jamb push plates	MS31 (jamb)
MS41 (jamb)	MS51 (jamb)

MAGIC SWITCH SURFACE-MOUNT BOX (SINGLE GANG)



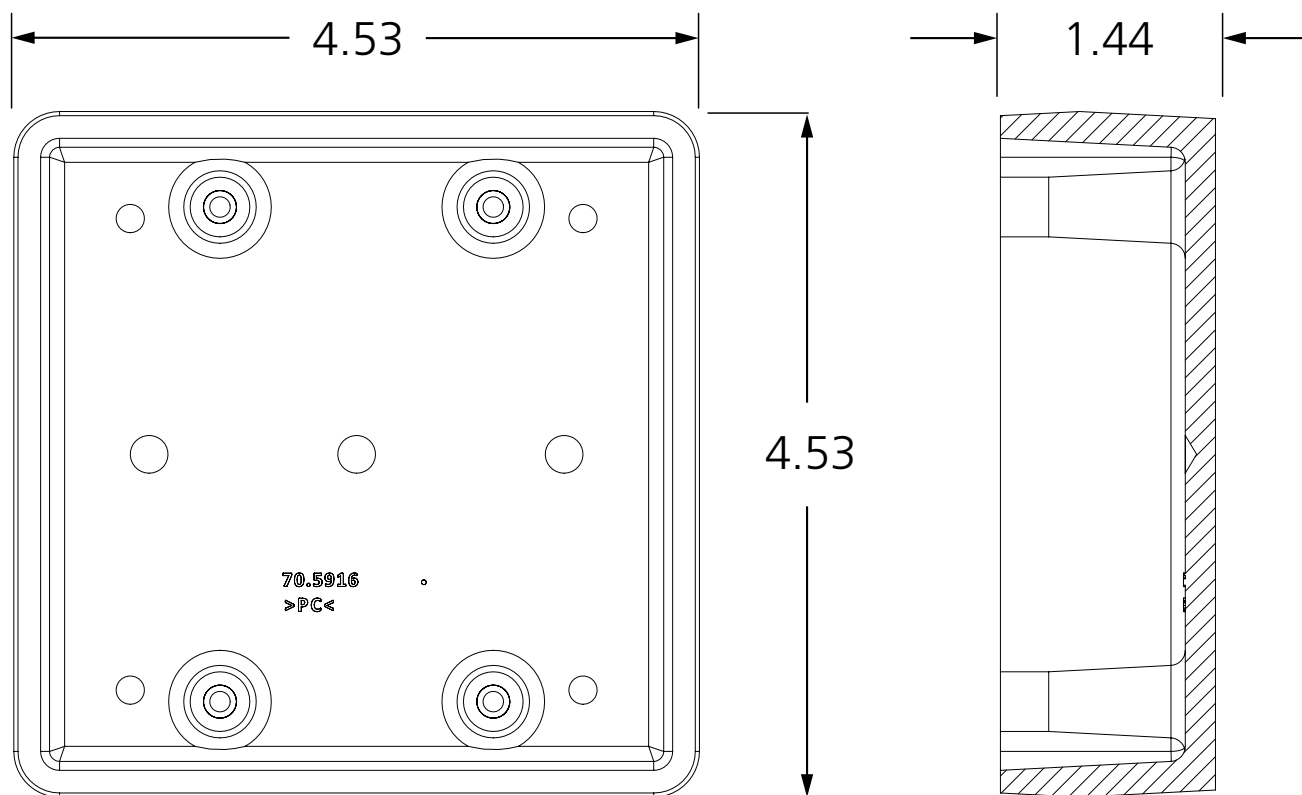
VARIETIES

P/N	MATERIAL
10MSBOXSGSM	MAGIC SWITCH Surface-Mount Box (single gang)

COMPATIBLE WITH

MS31 (single gang)	MS41 (single gang)
MS51 (single gang)	

MAGIC SWITCH SURFACE-MOUNT BOX (DOUBLE GANG)



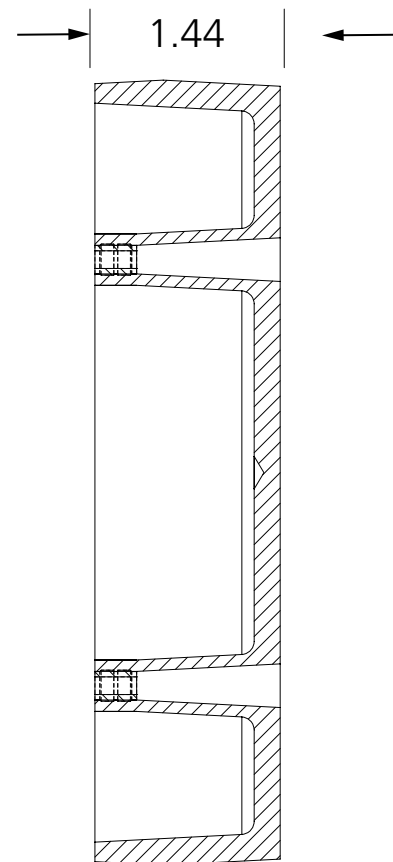
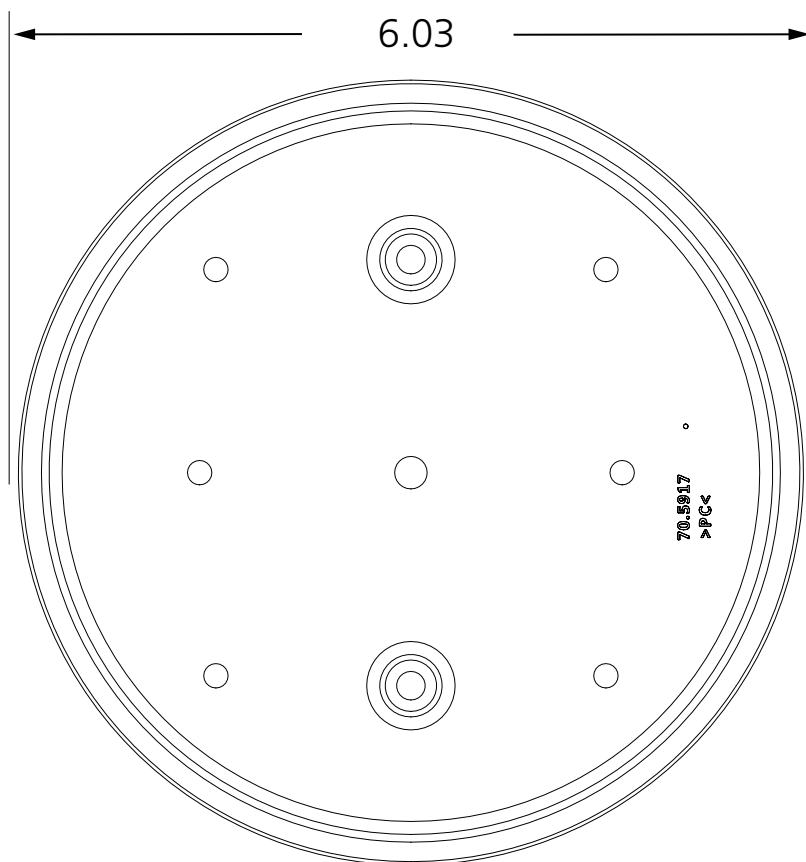
VARIETIES

P/N	MATERIAL
10MSBOXDGSM	MAGIC SWITCH Surface-Mount Box (double gang)

COMPATIBLE WITH

MS31 (double gang)	MS41 (double gang)
MS51 (double gang)	

MAGIC SWITCH SURFACE-MOUNT BOX (6" ROUND)



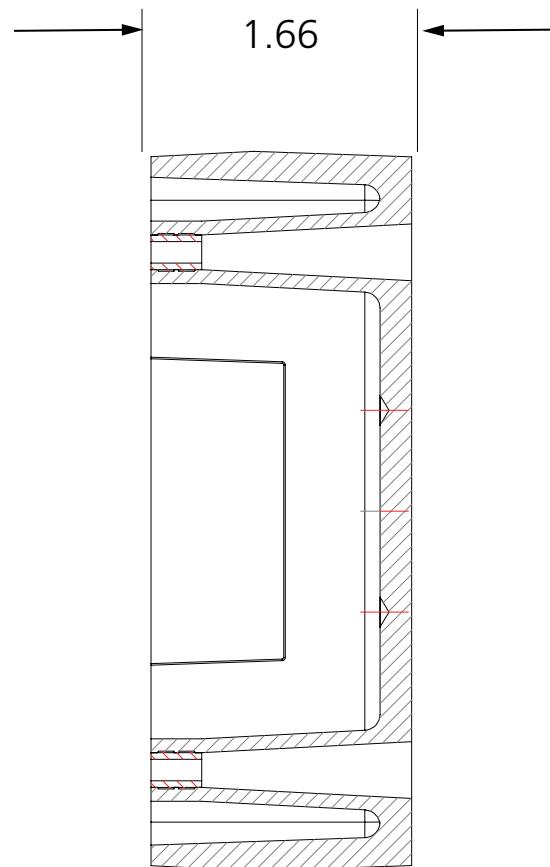
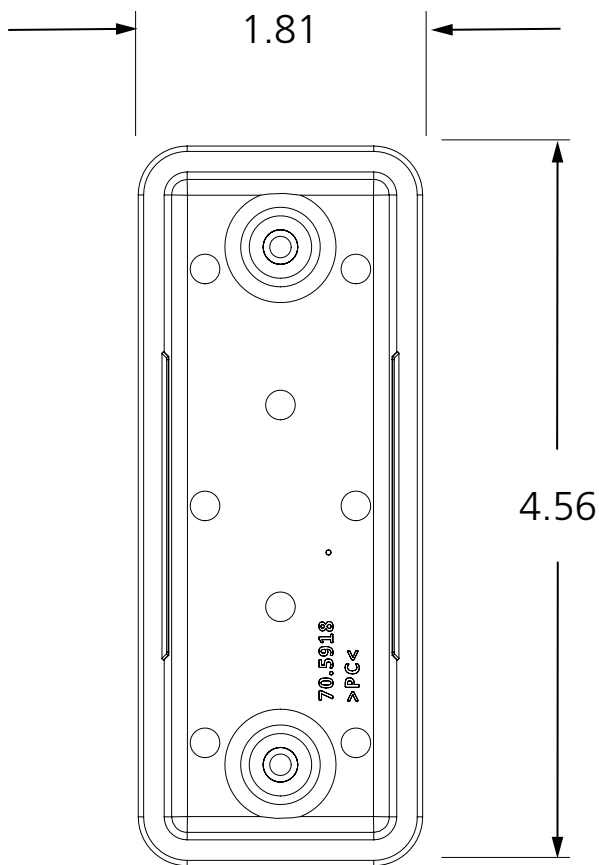
VARIETIES

P/N	MATERIAL
10MSBOXRND5M	MAGIC SWITCH Surface-Mount Box (6" round)

COMPATIBLE WITH

MS31 (6" round)	MS41 (6" round)
MS51 (6" round)	

MAGIC SWITCH SURFACE-MOUNT BOX (JAMB)



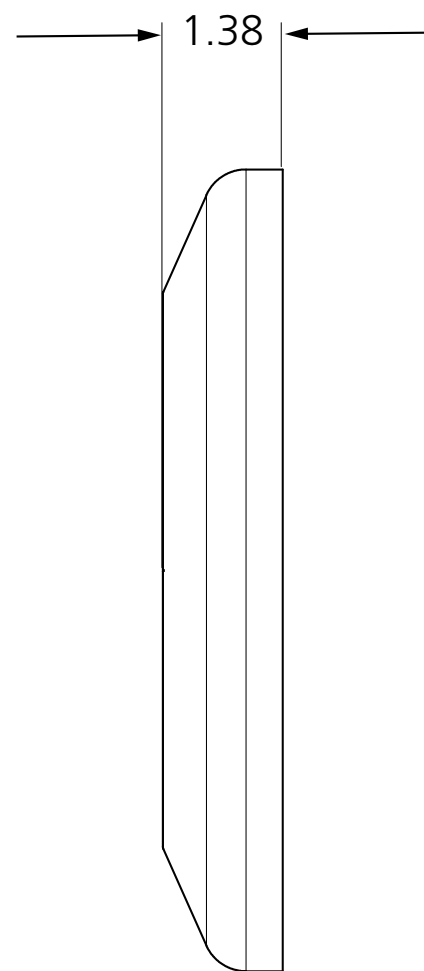
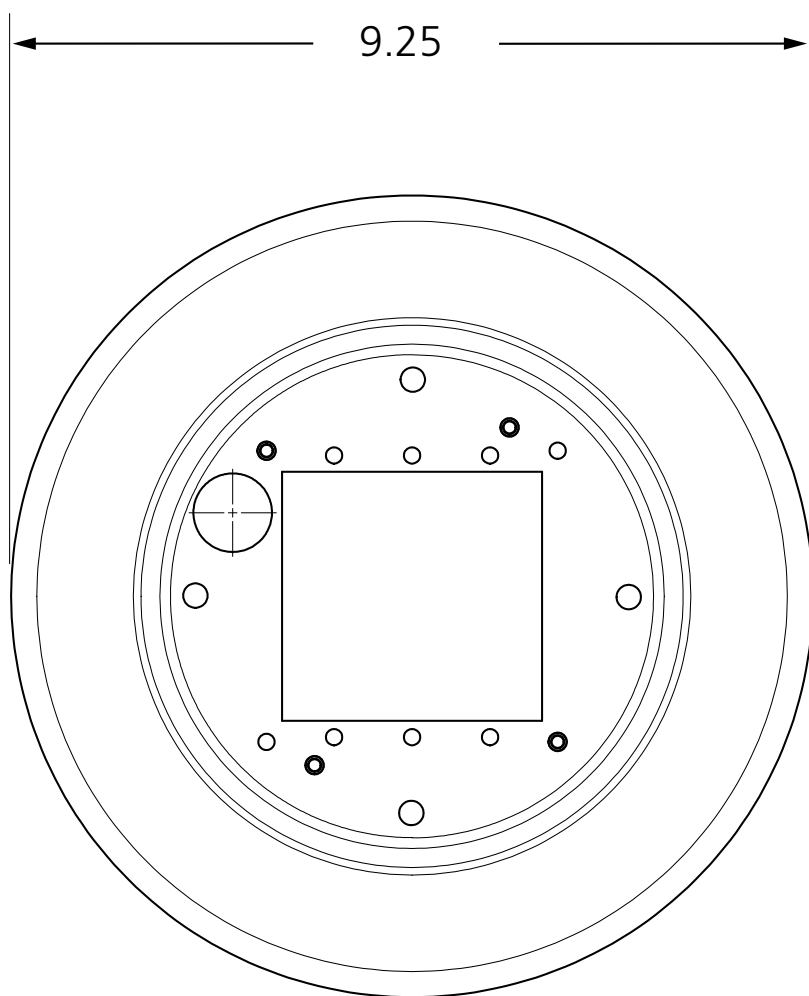
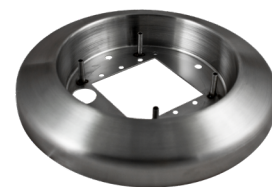
VARIETIES

P/N	MATERIAL
10MSBOXJAMBSM	MAGIC SWITCH Surface-Mount Box (jamb)

COMPATIBLE WITH

MS31 (jamb)	MS41 (jamb)
MS51 (jamb)	

6" ESCUTCHEON



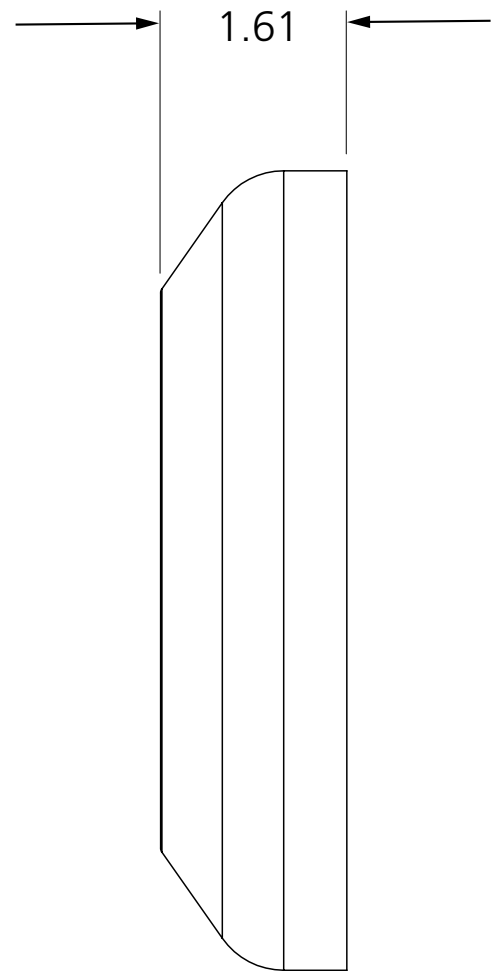
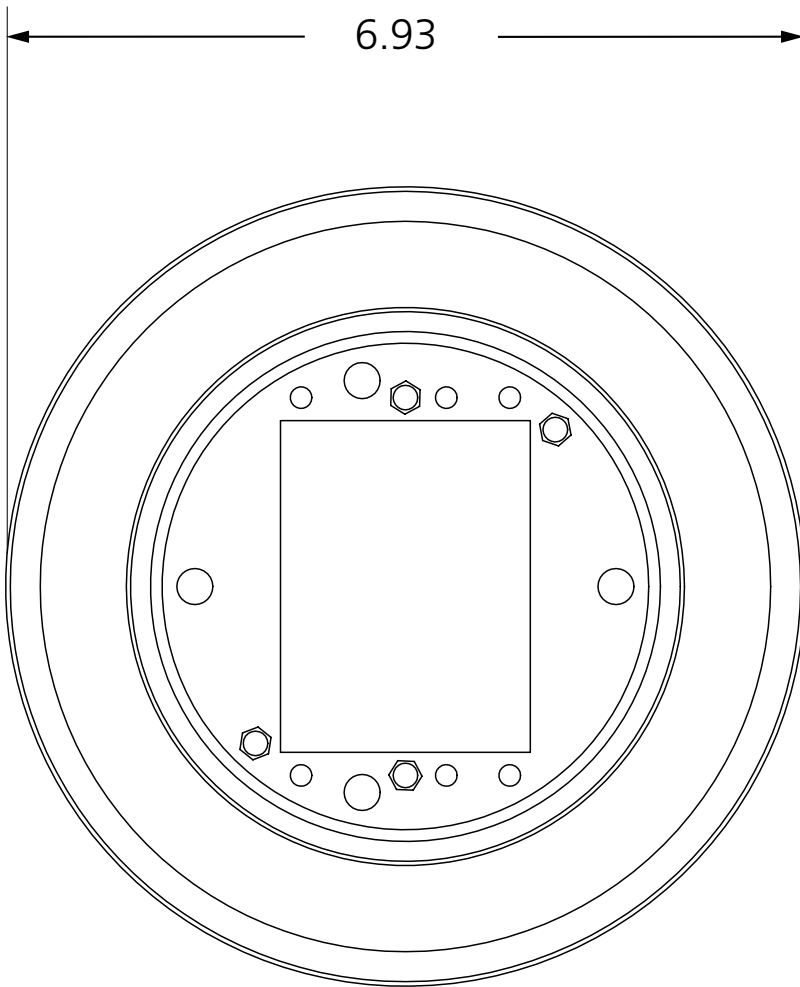
VARIETIES

P/N	MATERIAL
10ESCUTCHEON	Stainless steel 304

COMPATIBLE WITH

6" round push plate

4 1/2" ESCUTCHEON



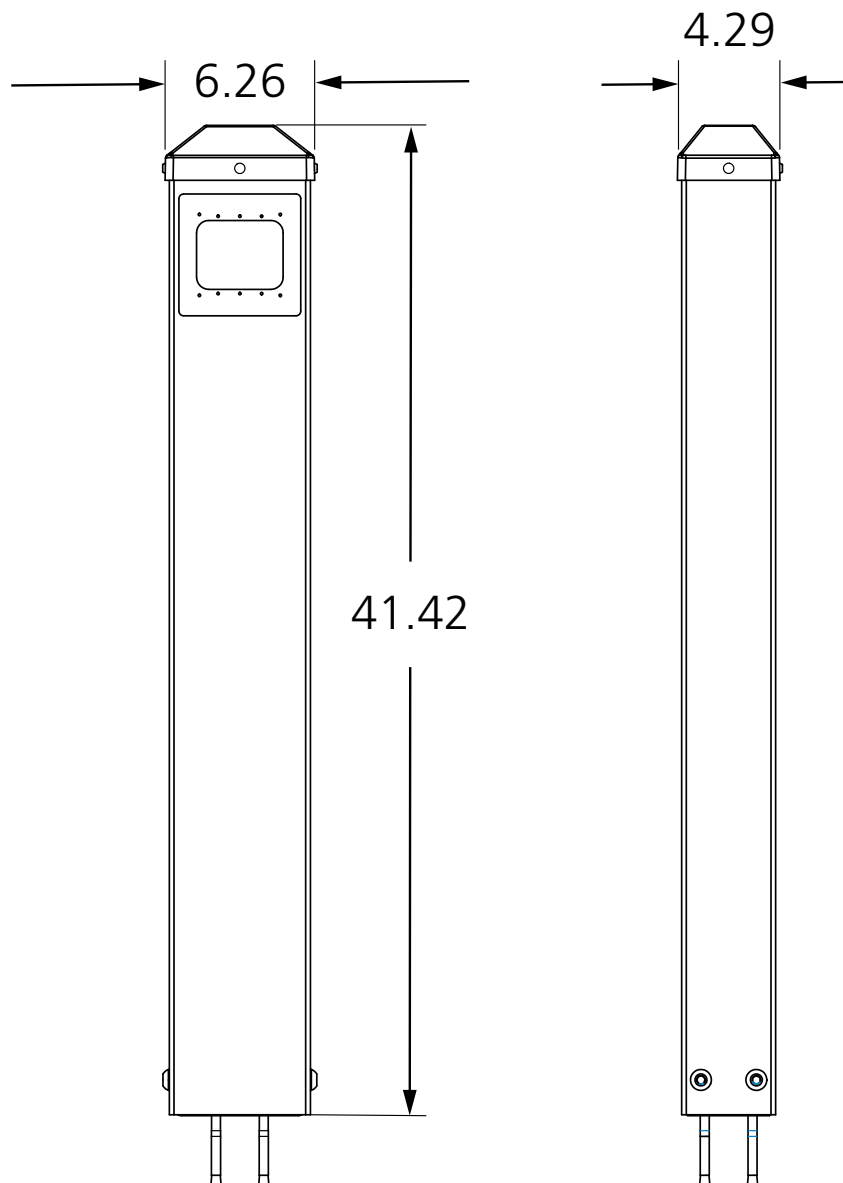
VARIETIES

P/N	MATERIAL
10ESCUTCHEON45	Stainless steel 304

COMPATIBLE WITH

4 1/2" round push plate

BOLLARD



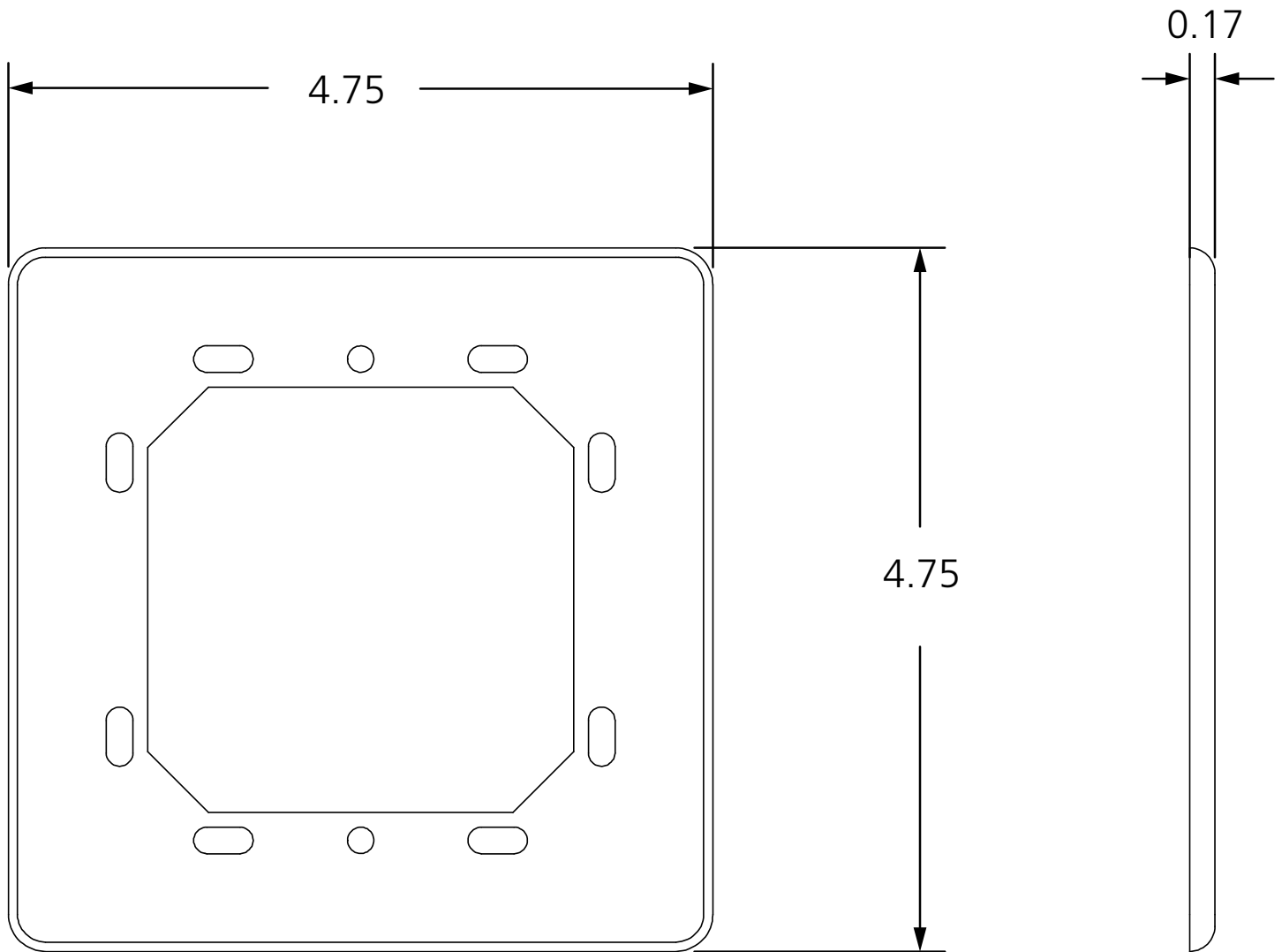
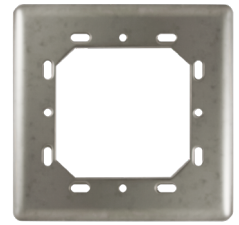
VARIETIES

P/N	MATERIAL
10BOLLARDBLK	Stainless steel 304, powdered-coated
10BOLLARDSL	Stainless steel 304, powdered-coated
10BOLLARDBRZ	Stainless steel 304, powdered-coated
10BOLLARDBLKWOH	Stainless steel 304, powdered-coated
10BOLLARDSLWOH	Stainless steel 304, powdered-coated
10BOLLARDBRZWOH	Stainless steel 304, powdered-coated

COMPATIBLE WITH

4 1/2" square push plate	Panther 4 3/4" square push plate
4 3/4" square push plate	LPR36 push plate <i>*must be "without hole"</i>
Vestibule push plate	MS09 touchless actuator <i>*must be "without hole"</i>
MS31 series <i>*jamb, single gang, and round must be "without hole"</i>	MS41 series <i>*jamb, single gang, and round must be "without hole"</i>
MS51 series <i>*jamb, single gang, and round must be "without hole"</i>	

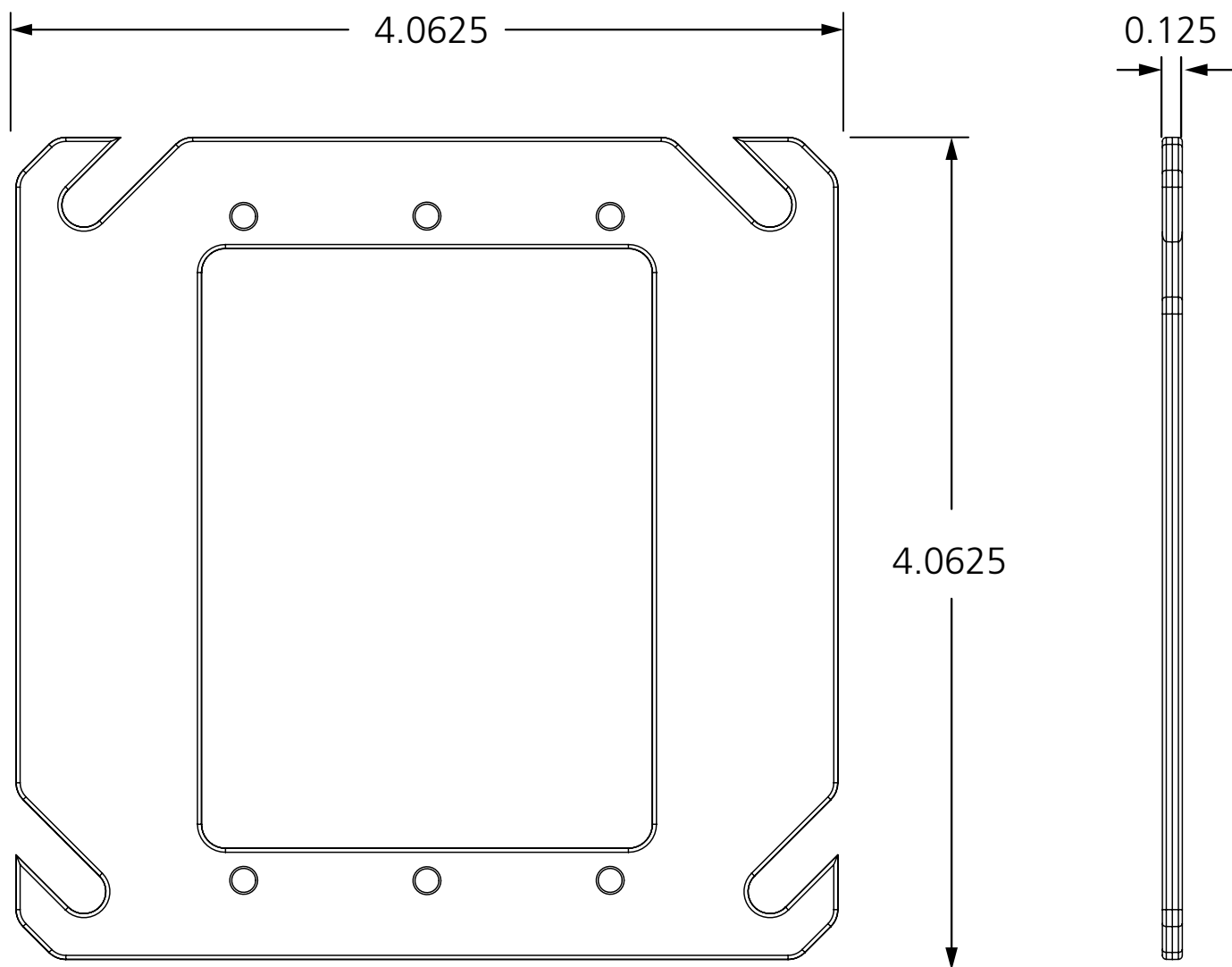
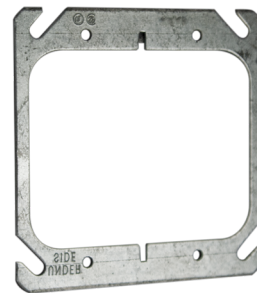
BRINGC



VARIETIES

P/N	MATERIAL
10BRINGC	Stainless steel 304

ADAPTER BRACKET



VARIETIES

P/N	MATERIAL
70.5236	25% GF nylon

COMPATIBLE WITH

MS31 (double-gang)	MS41 (4 1/2" square)
MS31 (6" round)	MS41 (6" round)