



# ACCESS CONTROL PUSH BUTTON

ILLUMINATED, REQUEST-TO-EXIT BUTTON



## LEARN MORE



click or scan

## DESCRIPTION

BEA's **ACCESS CONTROL PUSH BUTTON** is part of the request-to-exit product line, including presence sensors, power supplies, ruggedized **PNEUMATIC PUSH BUTTONS**, heavy duty **PIEZO BUTTONS**, **ACCESS KEYPADS**, a complete range of **MAGLOCKS** and other devices designed for controlled access applications.

BEA's **ACCESS CONTROL PUSH BUTTON** is an illuminated access control solution, consisting of a stainless steel faceplate and brightly lit plastic button. It is appropriate for most indoor and low-ambient light applications.

## TECHNICAL SPECIFICATIONS

### Switch

Voltage Max. 125 / 250 VAC

Current Max. 10 A

Power Max. 373 W

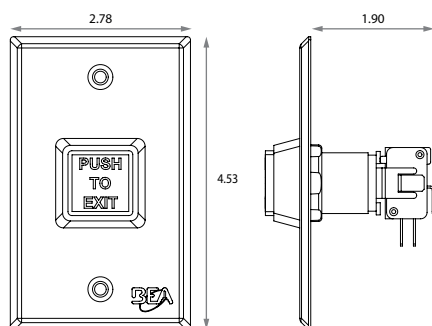
Electrical Configuration SPDT

### Bulb

Input Voltage 28 VDC (14 VDC, Optional)

Current 16 mA  $\pm$ 10%, 12V

## DIMENSIONS (inches)



## PRODUCT SERIES



**10ACPB551**  
Single gang  
request-to-exit button



**10BOX24SGSM**  
Standard surface  
mount box

**DISCLAIMER** Information is supplied upon the condition that the persons receiving it will make their own determination as to its suitability for their purposes prior to use. In no event will BEA be responsible for damages of any nature whatsoever resulting from the use of or reliance upon information from this document or the products to which the information refers. BEA has the right without liability to change descriptions and specifications at any time.

[WWW.BEASENSORS.COM](http://WWW.BEASENSORS.COM)



BEA AMERICAS / RIDC Park West / 100 Enterprise Drive / Pittsburgh, PA  
T 1-800-523-2462 / F 1-888-523-2462 / E info-us@BEAsensors.com

A Halma company