



10MAGDE1 UL DELAYED EGRESS MAGLOCKS USER'S GUIDE

ELECTROMAGNETIC LOCK

PLEASE DELIVER ALL INSTALLATION INSTRUCTIONS TO THE END-USER UPON COMPLETION OF THE INSTALLATION.

Pre-Installation Instructions

1. This product must be installed according to all applicable building and life safety codes. All installations must be approved by the Authority Having Jurisdiction (AHJ).
2. Due to the variety of mounting configurations available with this product, a survey and assessment of the physical area in which the product will be installed must be performed.
3. The door frame must be inspected and deemed structurally sound prior to installation of the electromagnetic lock. The structural integrity of the mounting surfaces must be strong enough to meet or exceed the holding force of the product.
4. The product must be protected from potential damage due to intruders or tampering.
5. The product should be installed in a location that will not hinder or create a potential safety hazard to authorized personnel accessing the protected area.
6. Because electromagnetic locks are used in a variety of applications and different door frame configurations, an experienced installer with knowledge of this product must make a determination of the optimal mounting method for this specific application.
7. The components, hardware, installation instructions and mounting template included with this product are intended for use on outswinging doors.
8. Do not install this product on the exterior of buildings.
9. Do not use as a doorstop. This will void warranty.
10. Separate accessories not included with this product must be used in the following applications:
 - Narrow head jamb situations or center-hung doors.
 - Wherever there is insufficient space on the door frame header to mount the lock
 - Hollow metal or wood frames where the door stop is not thick enough to allow the product to be installed
 - Wherever an obstruction in the door prevents installation of the armature plate at a proper height
 - Doors that do not permit the armature plate to be mounted low enough to meet the magnet surface

Refer to the Product Accessories Guide section of the Installation Instructions for further information. Accessories may impact holding force.

11. Installation of this product should be done by an experienced installer with knowledge of this product.
12. A mechanical latching device is recommended in conjunction with the Delayed Egress 10MAGDE1.

NOTE: It is highly recommended that thread locking compound be applied to all screws during installation to reduce chance of screws loosening over extended time.

Installation Instructions

1. Mount the electromagnetic lock to the door frame as outlined on the installation template included with the product.

Armature Plate Mounting Notes:

- 1) It is essential that this plate pivot slightly on the mounting bolt to allow proper alignment with the magnet surface. If not aligned, the lock may lose holding force or not lock at all.
- 2) The rubber washer on the head of the mounting bolt should project slightly beyond the surface of the armature plate. It will expand when power is removed and break the air vacuum between the plate and magnet. If removed or trimmed, the lock will appear to have some holding force even when power is removed.

For added safety, thread locking compound has been provided for the armature plate bolt and the four captive electromagnetic lock mounting screws.

WARNING: Improper installation, maintenance, inspection or usage of the product or any related accessories or parts may cause the electromagnetic lock, armature plate and associated hardware to disengage and fall, causing serious bodily injury and property damage. BEA will not be liable to the installer, purchaser, end user or anyone else for damage or injury to person or property due to improper installation, care, storage, handling, maintenance, inspection, abuse, misuse or act of God or nature involving this product or any related accessories or parts.

2. Route the power supply connecting wire through the door frame and into the wire access hole in the top of the magnet housing. Connecting wire should be of sufficient gauge for the lock being installed and the distance being run.
3. See system overview and switching options.

10MAGDE1 V1.6 Delayed Egress Electromagnetic Lock Installation Instructions (Continued)

Delayed Egress System – Overview

The Delayed Egress electromagnetic lock is a fail safe device.

In the normal condition with power, the door is locked, the local buzzer is off, the local SPDT relay is de-energized and the remote alarm DPDT relay is energized.

The exit sequence is dip switch selectable for either pressure sensing on the door or a REX switch in the exit hardware. See Dip Switch 10-1. A nuisance delay period can be set for 0, 1, 2 or 3 seconds as defined by the local building code. During this period the local buzzer will pulse and the local alarm relay will be energized. If pressure on the door or hardware is released during this period the system returns to normal conditions. This would be considered accidental triggering. See Dip Switch 8-2&3.

If pressure is maintained for longer than the set nuisance delay, an irreversible release delay sequence begins. This release delay is for 15 seconds, but may be extended to 30 seconds with permission of the Authority Having Jurisdiction (AHJ). It includes the short nuisance delay. Pressure is no longer required on the door. The remote relay de-energizes. The local buzzer changes from a pulse to steady. See Dip Switch 8-1.

The lock releases when the release delay time ends. The local buzzer remains on until reset and the local alarm relay will de-energize. The system relock is defined by the local building code.

All installations must be approved by the local Authority Having Jurisdiction (AHJ).

The COM input/output is used to synchronize a pair of delayed egress maglocks, for use on double doors. Use the provided wire harness: yellow, green and black. Configure DIP switch settings of both locks the same, to ensure proper operation.

**PUSH UNTIL
ALARM SOUNDS
DOOR CAN BE
OPENED IN
15 SECONDS**

Several building codes including the NFPA 101 Life Safety Code and the International Building Code require the signage (shown left) to be mounted on the door close to the releasing device.

For IBC 2017 applications with inswinging doors, use the top jamb bracket accessory and the signage on the right.

**PULL UNTIL
ALARM SOUNDS
DOOR CAN BE
OPENED IN
15 SECONDS**

Delayed Egress System – Status Indicators

System Status	Light Panel *	Local Buzzer	Local Alarm Relay	Remote Alarm Relay
Door Open	Red on	OFF	OFF	OFF
Locked	Green on	OFF	OFF	ON
Nuisance Delay Period	Red blinking (fast)	Pulsing Sound	ON	ON
Release Delay Period	Red blinking (slowly)	Steady Sound	ON	OFF
Lock Release	Red/Green blinking alternately	Steady Sound Until Reset	ON	OFF
Forced Open	Red blinking (fast)**	Pulsing Sound**	ON	OFF
Exit Switch to Open (Authorized Exit)	Red On	OFF	OFF	OFF

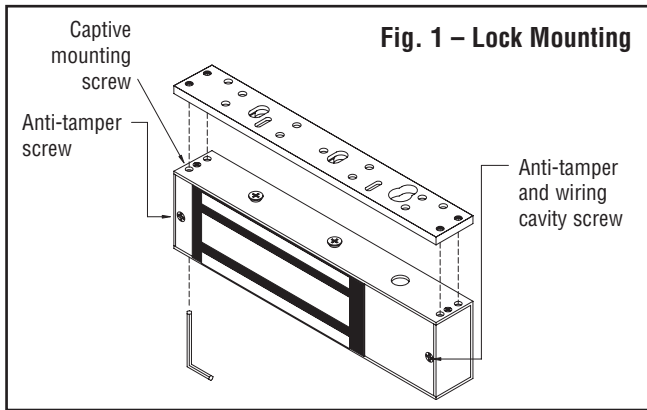
* Light panel color may be inverted. See dip switch 10-8 settings.

** If forced open before the set release delay has lapsed, these indicators can only be turned off by cycling system power.

10MAGDE1 V1.6 Delayed Egress Electromagnetic Lock Installation Instructions (Continued)


Anti-Tamper Feature - Two screws prevent insertion of an Allen wrench into the captive mounting screw opening on the bottom of the lock. Fig. 1 shows their location. One screw also secures the wiring cavity cover.


The mounting plate cannot be separated from the lock without removing these two screws. Anti-tamper screws must be removed in order to mount, remove or adjust placement of the maglock.



Specifications

This product has been successfully tested and evaluated by UL in two separate categories for use in both the United States and Canada.

 Auxiliary Lock. The GWXT fire listing qualifies the 10MAGDE1 for use with UL Classified fire doors maximum 4' in width and 8' in height, rated up to and including 1-1/2 hr.

 Special Locking Arrangement Component. Additionally, these products are qualified components for the purpose of locking outward-swinging exit doors against unauthorized egress. They are designed to release automatically in case of a power failure or upon activation of an automatic fire alarm system wired to the power supply fire panel relay.

The Following Conditions of Acceptability Apply:

- 1) This product is intended for use with Special Locking Arrangements which are installed in accordance with the manufacturer's installation and operation instructions, the Life Safety Code, NFPA 101 of the National Fire Protection Association and the local authority having jurisdiction.
- 2) The power for this unit is to be provided by a Listed (ALVY, FULA7, FUPPC, UEHX7, APHV or APHV7) Class 2 power supply when designated as a Special Locking Arrangement (FWAX).
- 3) The suitability of the lead wires is to be evaluated per the requirements for the end-use product.
- 4) When this component is used in a system designated as a Special Locking Arrangement (FWAX), it is to be evaluated as part of the overall system with respect to the requirements in the Life Safety Code, NFPA 101 for the end-use product.

The Delayed Egress electromagnetic locks are not intended or tested for use as a UL Listed Burglar Alarm System unit. They are listed to UL294.

PATENTS: US 8,292,337
Canada 2,632,243

MECHANICAL

Including 1/4" (6.4mm) mounting bracket:
10MAGDE1 Lock Dimensions:
2-1/8"D x 2-7/8"H x 10-13/16"L (54mm x 73mm x 275mm)
10MAGDE1 Armature Plate Dimensions:
5/8"D x 2-3/8"H x 7-7/16"L (16mm x 61mm x 190mm)

ELECTRICAL:

Voltage: Auto Sensing 12VDC to 24VDC

Power Consumption:

12VDC - Max 0.49A

24VDC - Max 0.24A

Ratings shown include the external sounder required by NFPA101

The Delayed Egress electromagnetic lock and all devices connected to it, shall be installed with wires less than 98.5 ft (30 m) long.

Local Alarm Output: SPDT Relay: 2A 30VDC inductive load

Remote Alarm Output: SPDT Relay: 2A 30VDC inductive load

ENVIRONMENTAL:

Not for use in outdoor environments.

Circuit board operating temperature: 14 to 140°F (-10 to 60°C)

NOTE: The 10MAGDE1 electromagnetic lock must be powered with a filtered and regulated DC power supply listed to UL294, UL603, CSA-C22.2, ULC-S318 or ULC-S533 and rated 12 to 24V. BEA recommends model 10PS12-24.

Specifications subject to change without notice.

For custom applications, which require synchronization of 3 or 4 doors, consult Technical Services.

Note that these will require special AHJ approval.

10MAGDE1 V1.6 Delayed Egress Electromagnetic Lock Installation Instructions (Continued)

Building Codes

The 10MAGDE1 supports the requirements of numerous building codes. These recaps represent our best understanding at the time of print. As codes may change, they should be referenced directly. 10MAGDE1 locks have been factory set to International Building Code 2012 requirements. **It is the responsibility of the installer to ensure that the Dip Switch 8-1 setting complies with local Fire, Building and Life Safety Codes. All installations must be approved by the local Authority Having Jurisdiction (AHJ).**

1. INTERNATIONAL BUILDING CODE (2017)

NUISANCE DELAY: set at 3 sec RELEASE DELAY: 15 sec.*
RELOCK: To be done manually by a key switch and must be located at the door, **a door switch cannot be used for relocking.** Please connect a momentary spring loaded NORMALLY OPEN key switch to system Reset Switch Input (RST).

2. STANDARD BUILDING CODE (1999)

NUISANCE DELAY: Not allowed. RELEASE DELAY: 15 sec.*
RELOCK: Actuates after door OPENS and CLOSES, using a door switch rather than a key switch. Please connect a NORMALLY OPEN door switch (by others) to system Reset Switch Input (RST).

3. NFPA 101 (2009 and 2012)

NUISANCE DELAY: Permitted up to 3 sec. RELEASE DELAY: 15 sec.*
RELOCK: To be done manually by a key switch, **a door switch cannot be used for relock.** Please connect a momentary spring loaded NORMALLY OPEN key switch to system Reset Switch Input (RST).

4. UNIFORM BUILDING CODE (1997)

NUISANCE DELAY: Set at 2 sec. RELEASE DELAY: Set at 15 sec.
RELOCK: To be done manually by a key switch and must be located at the door, **a door switch cannot be used for relocking.** Please connect a momentary spring loaded NORMALLY OPEN key switch to system Reset Switch Input (RST).

The Uniform Building Code is unique, in that it extends the requirement for “manual relock at the door” to include all power interruptions.

5. BOCA (1999)

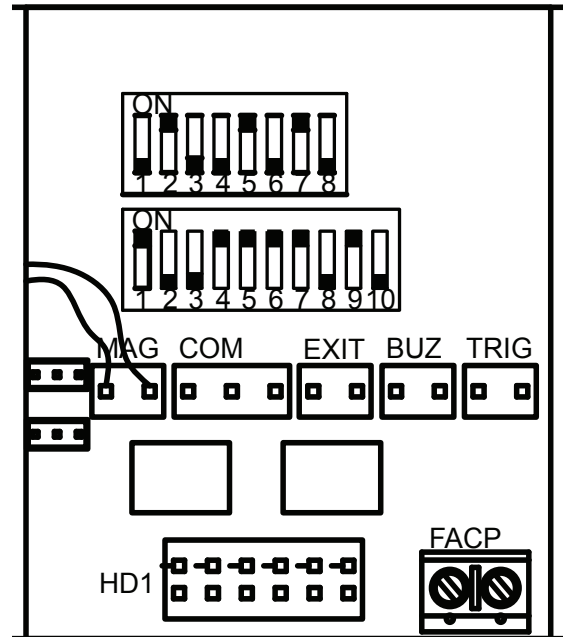
NUISANCE DELAY: Set at 1 sec. RELEASE DELAY: 15 sec.*
RELOCK: Set Dip Switch 4 to OFF to activate the relocking system. After the door unlocks and opens the normally closed door switch changes state and remains open. When the door closes, a delay of 30 seconds begins. If the door remains closed, it will relock. Reopening the door restarts the 30 second delay. Please connect a NORMALLY OPEN door switch (by others) to system Reset Switch Input (RST). The door must be open and closed to relock. Consult Technical Services.

6. NATIONAL BUILDING CODE OF CANADA (2010)

NUISANCE DELAY: Not allowed. RELEASE DELAY: Set at 15 sec.
RELOCK: To be done manually by a key switch, **a door switch cannot be used for relock.** Please connect a momentary spring loaded NORMALLY OPEN key switch to system Reset Switch Input (RST).

* Release delay may be extended to 30 seconds with the approval of AHJ

Circuit Board Connections



- COM:** Communication connection to synchronize 2 10MAGDE1's using the yellow/green/black harness.
- EXIT:** Authorized access/egress input. Normally Open momentary switch can be programmable 0 thru 15 seconds
- BUZ:** Buzzer output is at 9v/0.05A. Maximum output can only be 9v/0.08A
- TRIG:** Trigger input from exit hardware switch to initiate delay process.
- FACP:** Fire Alarm Control Panel connection

HD1 Main Harness

(see page 6 detail)

- RST:** Connect the brown and brown/white leads to reset switch or door switch per local code
- DC:** DC power wires; black is negative (-) and Red is positive (+)
- Remote A** Purple is common (C)
Orange is normally closed (N/C)
Blue is normally open (N/O)
- Local:** Grey is common (C)
Green is normally open (N/O)
Pink is normally closed (N/C)

10MAGDE1 V1.6 Delayed Egress Electromagnetic Lock Installation Instructions (Continued)

Dip Switch Settings

1st Bank 1-8	Function	Switch Status		Notes
1	Delay Time	ON = 30 Second	OFF = 15 Second	30 Seconds requires AHJ approval
2	1 Second Nuisance Delay	ON	OFF	Set according to Local Code requirements
3	2 Second Nuisance Delay	ON	OFF	
4	Enable BOCA Mode	ON = Enable BOCA	OFF = Non-BOCA	Check with Local AHJ
5	1 Second Authorized Unlock Time	ON	OFF	0 - 15 Seconds Default = 5 Seconds
6	2 Second Authorized Unlock Time	ON	OFF	
7	4 Second Authorized Unlock Time	ON	OFF	
8	8 Second Authorized Unlock Time	ON	OFF	

2nd Bank 1-10	Function	Switch Status		Notes
1	Pressure Activated	ON = Enabled	OFF = Disabled	External Switch Required when Disabled
2	30 Second Prop Door Alarm	ON = Enabled	OFF = Disabled	Alarm will pulse 30 seconds after Authorized Exit has expired
3	Remote Relay Bypass	ON	OFF	When ON relay will not change state for Authorized Exit
4	FACP Internal Resistor	ON	OFF	Switch 5 must be OFF
5	FACP External Resistor	ON	OFF	Switch 4 must be OFF and External Resistor installed
6	N/A	N/A	N/A	
7	N/A	N/A	N/A	
8	LED colour when Locked	ON = Red	OFF =Green	
9	Reset when Powered Cycled	ON	OFF	Manual reset required when OFF
10	Low Voltage Detection*	ON = Enabled	OFF = Disabled	Alarm will sound between 8 & 8.5 VDC

Default Setting

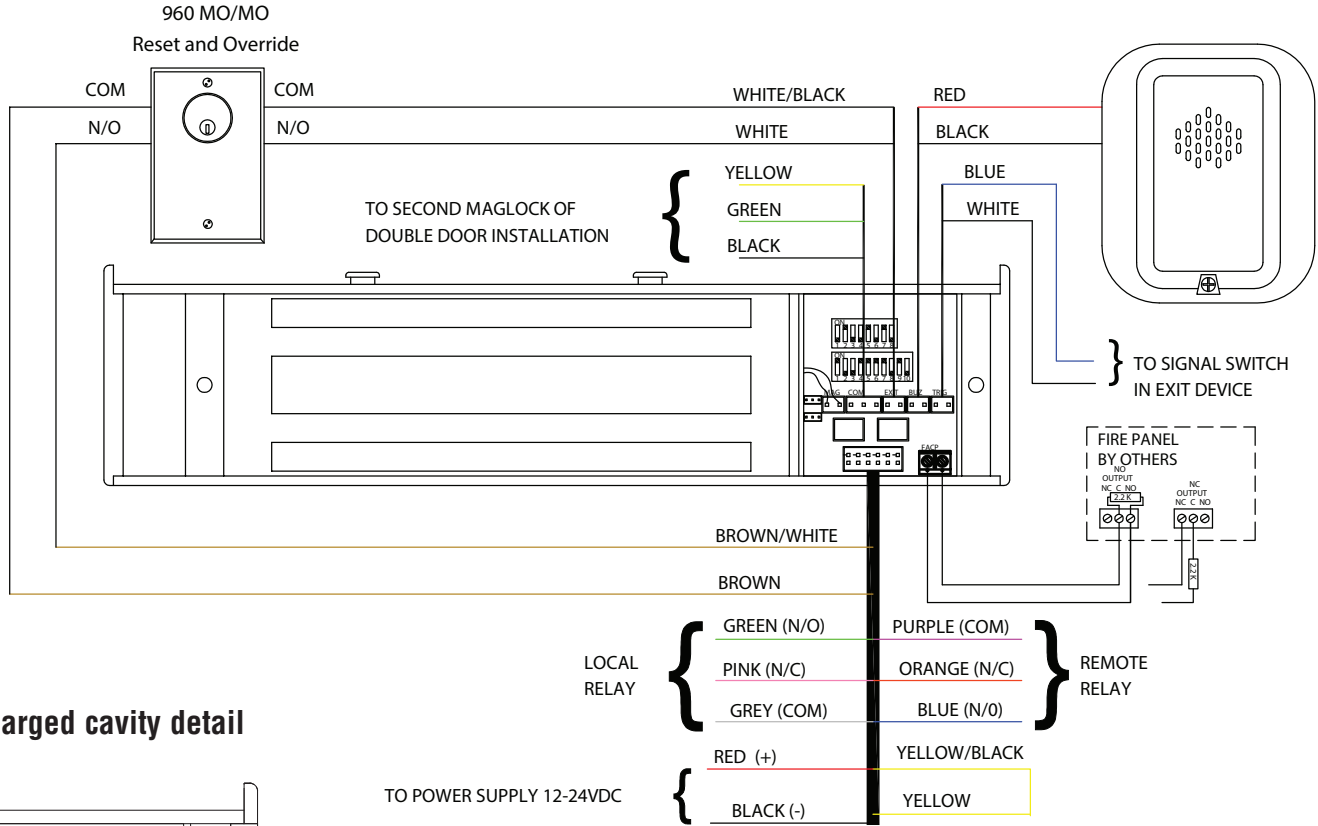
* Maglock must be manually reset following a low-voltage alarm.

10MAGDE1 V1.6 Delayed Egress Electromagnetic Lock Installation Instructions (Continued)

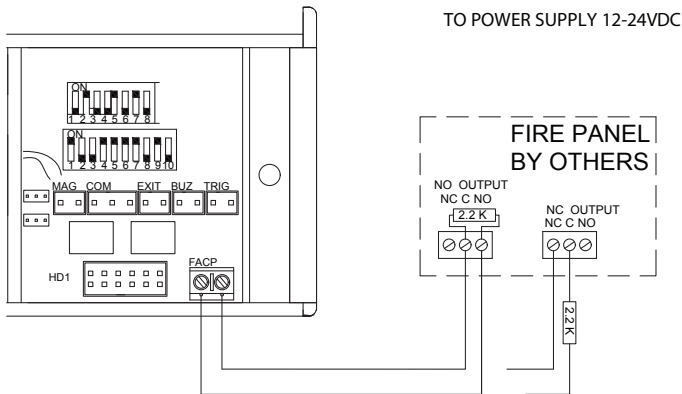
Wiring Diagram

Diagram reflects status with power on and door opened.

A mechanical latching device is required in conjunction with the Delayed Egress 10MAGDE1



Enlarged cavity detail



**Contact Technical Services for
BOCA Wiring**

10MAGDE1 V1.6 Delayed Egress Electromagnetic Lock Installation Instructions (Continued)

Inspection and Maintenance

This product and all related accessories or parts must be inspected and maintained on a **quarterly basis**. Contacting surfaces of the electromagnetic lock and armature plate must be kept free of contaminating materials. Surfaces must be cleaned periodically with a non-abrasive cleaner.

All mounting fasteners must be inspected on a **quarterly basis**. When properly installed, the ends of the armature plate allow a slight movement but the plate will feel secure when grasped at the bolt. There should be no movement to the mounting bracket or housing of the electromagnetic lock.

For added safety, thread locking compound has been provided for the armature plate bolt and the four captive electromagnetic lock mounting screws.

WARNING: Improper installation, maintenance, inspection or usage of the product or any related accessories or parts may cause the electromagnetic lock, armature plate and associated hardware to disengage and fall, causing serious bodily injury and property damage.

PLEASE DELIVER ALL INSTALLATION INSTRUCTIONS TO THE
END-USER UPON COMPLETION OF THE INSTALLATION.

PLEASE DELIVER END USER GUIDE CONTAINED SEPARATELY
IN THIS PACKAGE TO THE END-USER UPON COMPLETION OF
THE INSTALLATION.



Do not leave problems unresolved. If a satisfactory solution cannot be achieved after troubleshooting a problem, please call BEA, Inc. If you must wait for the following workday to call BEA, leave the door inoperable until satisfactory repairs can be made. Never sacrifice the safe operation of the automatic door or gate for an incomplete solution.

Our Service Technicians can be called 24 hours a day, 7 days a week. For more information visit www.BEAINC.com.

For email support contact us at: Tech_Services@beainc.com			
Technical Service: 1-800-407-4545		Customer Service: 1-800-523-2462	
After Normal Business Hours			
West / Mexico 1-888-419-2564	Central 1-800-407-4545	AK, MI, WI, TX, Canada 1-866-836-1863	East 1-866-249-7937

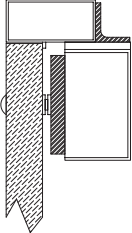
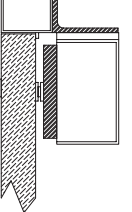
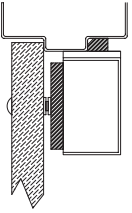
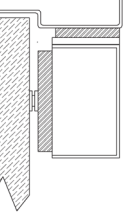
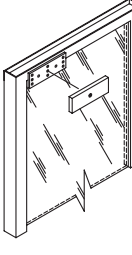
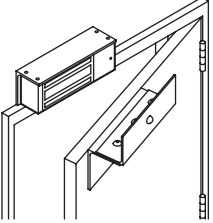
10MAGDE1 V1.6 Delayed Egress Series Troubleshooting Guide

PROBLEM	SOLUTION
Cannot remove the lock mounting bracket from top of magnet for installation.	Remove anti-tamper screw and cavity screw. Insert supplied Allen wrench into mounting bolt holes in the bottom of the lock housing and turn. (See Fig.1)
Lock is installed but has no holding force at all.	Check power supply. DC power should be within 12-24VDC. Check connections at power supply, connected releasing devices, lock terminals and lock circuit board to magnet core.
Lock has enough holding force to lightly hold a screwdriver or set of pliers but door will not lock.	Check to see that armature plate is correctly aligned with the electromagnetic lock. If there is improper alignment, make a 1/4" turn of the armature plate mounting bolt and check for alignment. Make sure to follow the armature plate mounting instructions on the template and Page 1 of this install.
Lock is operating and locking but the armature plate is "humming" against the surface of the lock.	This generally indicates that the lock is either operating on AC voltage or there is some AC voltage present in the DC supply. A properly filtered and regulated DC power supply is required to achieve optimal operation from the lock.
Lock is not releasing immediately upon removal of power	Ensure that switching devices are interrupting the DC power and not the AC power supply voltage. Ensure rubber washer on armature plate mounting bolt has not been removed or damaged. Remove any Diodes or other suppression devices that may be installed.
Second door doesn't release	Check COM connections per page 4.

10MAGDE1 V1.6 Delayed Egress Electromagnetic Lock Installation Instructions (Continued)

Accessories may impact holding force.

Product Mounting Accessories Guide (Separate installation instructions provided with accessories.)

PART	USAGE	EXAMPLE
<p>Angle Bracket</p>	<p>Used in a narrow head jamb situation or for center-hung doors. Any place where there is insufficient frame depth to mount the lock.</p> <p>Available in several different sizes and finishes.</p>	
<p>“L” Bracket</p>	<p>Required wherever there is insufficient space on the frame header to mount the lock. The lock mounts to the underside of the “L” bracket and the “L” bracket then gets mounted to the doorframe.</p> <p>Available in several different sizes and finishes.</p>	
<p>Filler Bars</p>	<p>Used to provide extra mounting space in a hollow metal or wood frame where the door stop of the frame is not thick enough to allow a lock to be installed.</p> <p>Available in several different widths.</p>	
<p>Spacer Bars</p>	<p>For use when an obstruction in the door prevents the installation of the armature plate at a proper height. If the armature plate needs to be lowered then a spacer bar can be used to lower the lock from the frame.</p> <p>Available in several different thicknesses.</p>	
<p>Armature Holder</p>	<p>For use with doors that do not permit the armature plate to be mounted low enough to meet the magnet surface. Eg: Some aluminum framed commercial glass doors. The armature holder can be mounted to whatever frame is available and the armature plate in turn mounted to the holder.</p> <p>Available in pocket style only.</p>	
<p>Top Jamb Bracket</p>	<p>Top Jamb bracket and angle bracket kit is required for use when mounting the lock on a door that swings inwards. Magnet mounts to the underside of an angle bracket mounted on the frame. Armature plate mounts to “Z” bracket assembly mounted to door face</p>	

(See listing details on page 3)