

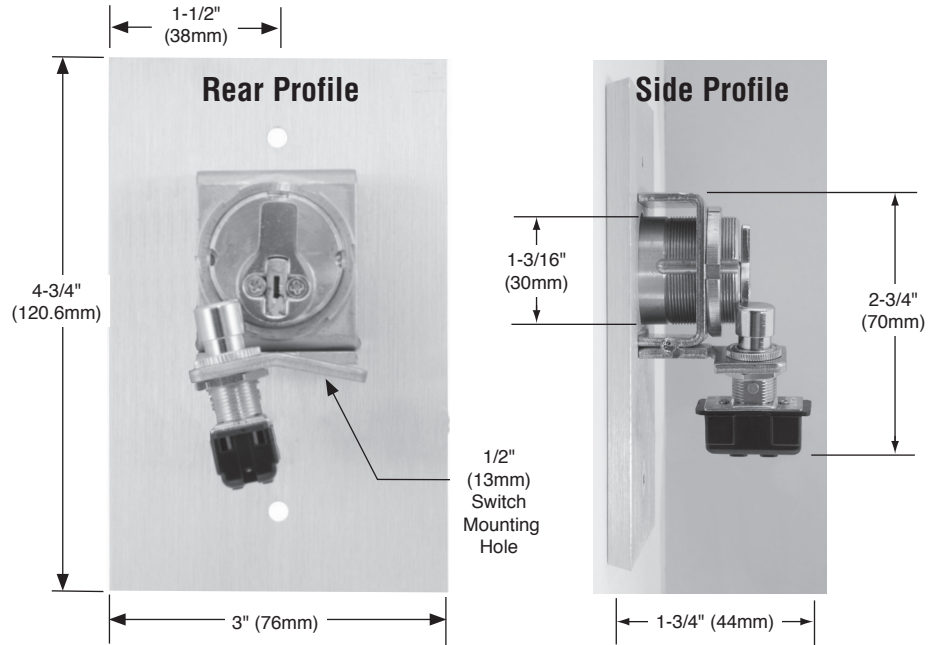


# KEY SWITCH USER'S GUIDE

SWITCHES

## Installation

1. Place the mortise cylinder through the 1-3/16" hole in the center of the aluminum faceplate.
2. Mount the cylinder/switch bracket on the reverse side of the faceplate. Make sure that the teeth are positioned inside the grooves along the cylinder. Attach the cylinder nut to fasten.
3. Insert the switch(es) into the 1/2" holes located on the bracket below the cylinder. For ideal installation thread the top nut an 1/8" down and tighten bottom nut using a 9/16" wrench.



75.5714.02  
IS960-BEA

BEA Inc. RIDC Park West 100 Enterprise Drive Pittsburgh, PA 15275  
Phone: 412.249.4100 | Fax: 888.523.2462

PCN16034  
R06/16TG

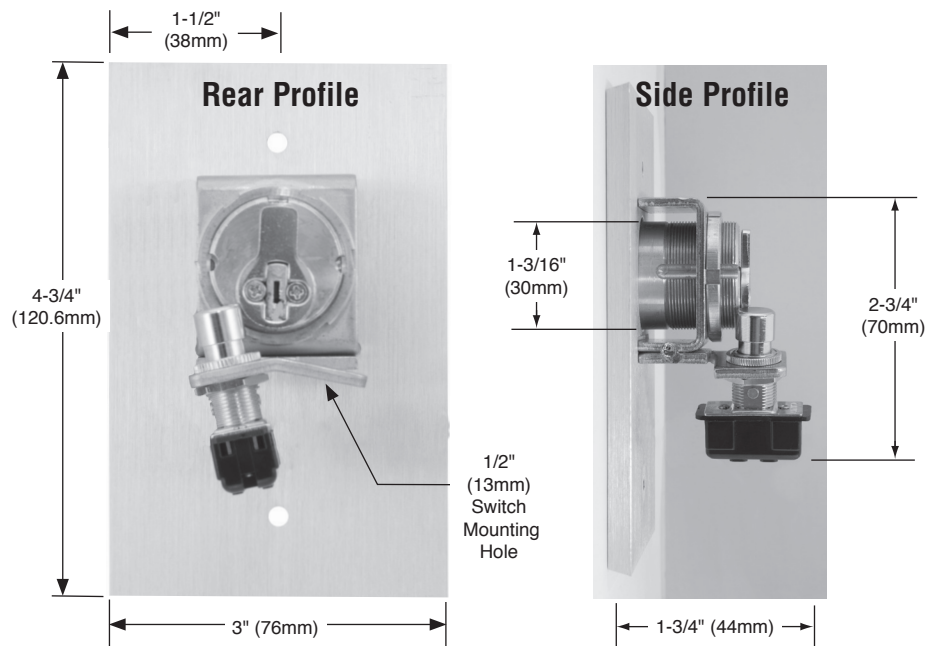


# KEY SWITCH USER'S GUIDE

SWITCHES

## Installation

1. Place the mortise cylinder through the 1-3/16" hole in the center of the aluminum faceplate.
2. Mount the cylinder/switch bracket on the reverse side of the faceplate. Make sure that the teeth are positioned inside the grooves along the cylinder. Attach the cylinder nut to fasten.
3. Insert the switch(es) into the 1/2" holes located on the bracket below the cylinder. For ideal installation thread the top nut an 1/8" down and tighten bottom nut using a 9/16" wrench.



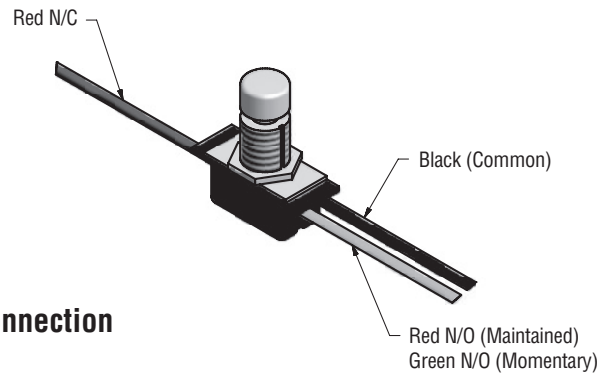
75.5714.02  
IS960-BEA

BEA Inc. RIDC Park West 100 Enterprise Drive Pittsburgh, PA 15275  
Phone: 412.249.4100 | Fax: 888.523.2462

PCN16034  
R06/16TG

## Wiring

1. Make wire connections as shown.
2. Fasten faceplate assembly to electrical box with the tamperproof 6-32 machine screws and spanner hand tool supplied.



### SPDT Wire Connection

## Specifications

Description	Switch Mode	Switch Configuration	Switch Rating	Standard Finish
960-MO Key Switch	Momentary Action	SPDT N/O & N/C	3A @ 125 VAC/VDC  & CSA 1A @ 250 VAC/VDC  & CSA	28 or 40 28 or 40

**NOTE:** Specifications are subject to change without notice.

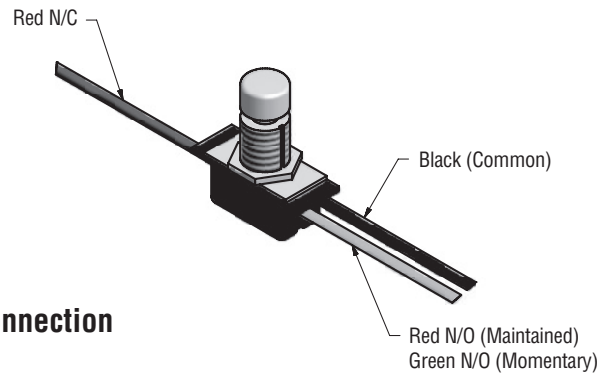


Our Service Technicians can be called 24 hours a day, 7 days a week. For more information visit [www.beasensors.com](http://www.beasensors.com).

For email support contact us at: <a href="mailto:Tech_Services@beainc.com">Tech_Services@beainc.com</a>			
Phone: 1-800-523-2462		Fax: 1-888-523-2462	
After Normal Business Hours			
West / Mexico 1-888-419-2564	Central 1-800-407-4545	AK, MI, WI, TX, Canada 1-866-836-1863	East 1-866-249-7937

## Wiring

1. Make wire connections as shown.
2. Fasten faceplate assembly to electrical box with the tamperproof 6-32 machine screws and spanner hand tool supplied.



### SPDT Wire Connection

## Specifications

Description	Switch Mode	Switch Configuration	Switch Rating	Standard Finish
960-MO Key Switch	Momentary Action	SPDT N/O & N/C	3A @ 125 VAC/VDC  & CSA 1A @ 250 VAC/VDC  & CSA	28 or 40 28 or 40

**NOTE:** Specifications are subject to change without notice.



Our Service Technicians can be called 24 hours a day, 7 days a week. For more information visit [www.beasensors.com](http://www.beasensors.com).

For email support contact us at: <a href="mailto:Tech_Services@beainc.com">Tech_Services@beainc.com</a>			
Phone: 1-800-523-2462		Fax: 1-888-523-2462	
After Normal Business Hours			
West / Mexico 1-888-419-2564	Central 1-800-407-4545	AK, MI, WI, TX, Canada 1-866-836-1863	East 1-866-249-7937