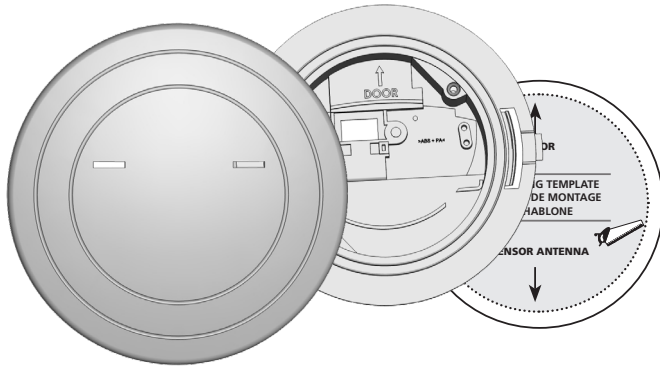


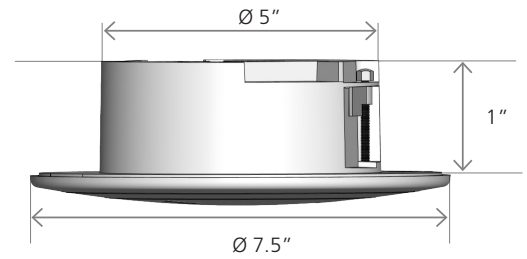
# EAGLE ARTEK CEILING ACCESSORY



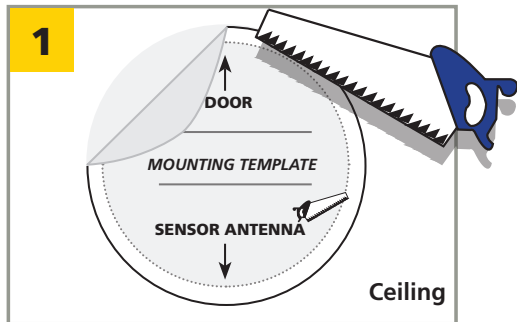
Visit website for available languages of this document.



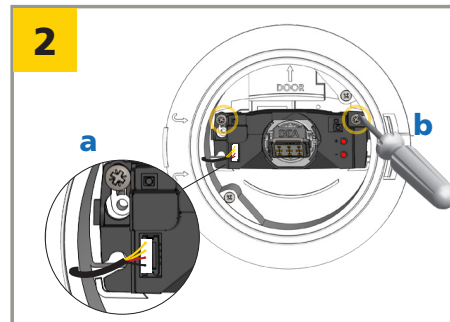
## DIMENSIONS



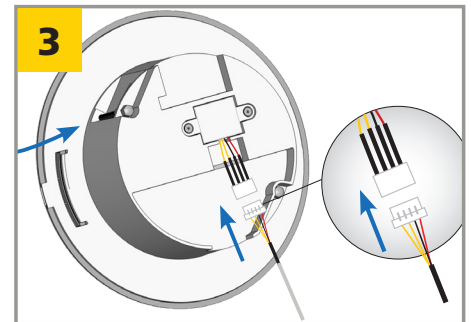
## INSTALLATION



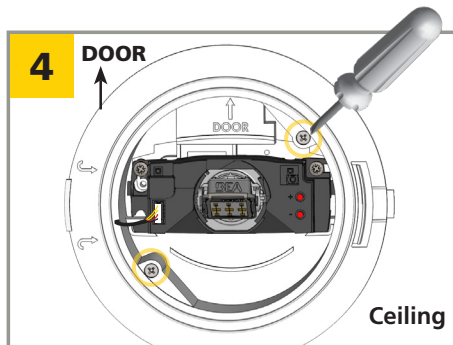
Place the mounting template in the desired mounting location and make the appropriate cuts.



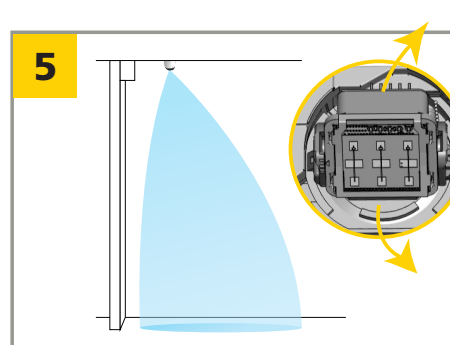
Route and connect the harness to the sensor, and then secure the sensor in the ceiling accessory.



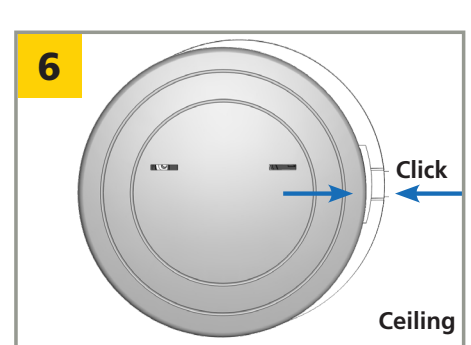
Connect the EAGLE ARTEK harness to the ceiling accessory.



Secure the ceiling accessory to the ceiling using the provided screws and wingnuts.



Make the appropriate radar adjustments to create the desired field shape and position. *Tilt angle should be 70° for optimal performance.*



Snap the Ceiling Accessory cover to the Ceiling Accessory housing.

### BEA, INC. INSTALLATION/SERVICE COMPLIANCE EXPECTATIONS

BEA, Inc., the sensor manufacturer, cannot be held responsible for incorrect installations or incorrect adjustments of the sensor/device; therefore, BEA, Inc. does not guarantee any use of the sensor/device outside of its intended purpose.

BEA, Inc. strongly recommends that installation and service technicians be AAADM-certified for pedestrian doors, IDA-certified for doors/gates, and factory-trained for the type of door/gate system.

Installers and service personnel are responsible for executing a risk assessment following each installation/service performed, ensuring that the sensor/device system performance is compliant with local, national, and international regulations, codes, and standards.

Once installation or service work is complete, a safety inspection of the door/gate shall be performed per the door/gate manufacturer's recommendations and/or per AAADM/ANSI/DASMA guidelines (where applicable) for best industry practices. Safety inspections must be performed during each service call – examples of these safety inspections can be found on an AAADM safety information label (e.g. ANSI/DASMA 102, ANSI/DASMA 107, UL294, UL325, and International Building Code).

Verify that all appropriate industry signage, warning labels, and placards are in place.



A Halma company