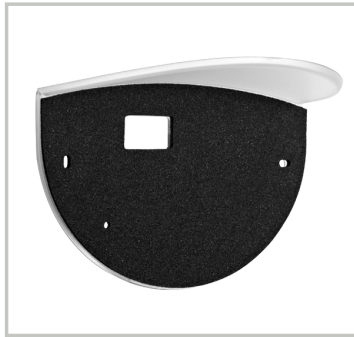




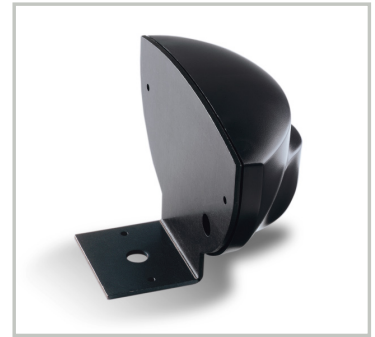
Visit website for available languages of this document.



RAIN COVER  
10ERC



RAIN ACCESSORY  
10ERA



MOUNTING BRACKET  
10EMB



CEILING ACCESSORY  
10ECA



SPACER  
10EAGLESPACER



EAGLE SPACER V  
10EAGLESPACERV

## PRECAUTIONS



- Maintain a clean and safe environment when working in public areas.
- Constantly be aware of pedestrian traffic around the door area.
- Always stop pedestrian traffic through the doorway when performing tests that may result in unexpected reactions by the door.
- Ensure compliance with all applicable safety standards (i.e. ANSI A156.10) upon completion of installation.

Reference *EAGLE User's Guide (75.5601)* or *EAGLE HIGH-MOUNT User's Guide (75.5611)* for full sensor installation and setup.

## BEA, INC. INSTALLATION/SERVICE COMPLIANCE EXPECTATIONS

BEA, Inc., the sensor manufacturer, cannot be held responsible for incorrect installations or incorrect adjustments of the sensor/device; therefore, BEA, Inc. does not guarantee any use of the sensor/device outside of its intended purpose.

BEA, Inc. strongly recommends that installation and service technicians be AAADM-certified for pedestrian doors, IDA-certified for doors/gates, and factory-trained for the type of door/gate system.

Installers and service personnel are responsible for executing a risk assessment following each installation/service performed, ensuring that the sensor/device system performance is compliant with local, national, and international regulations, codes, and standards.

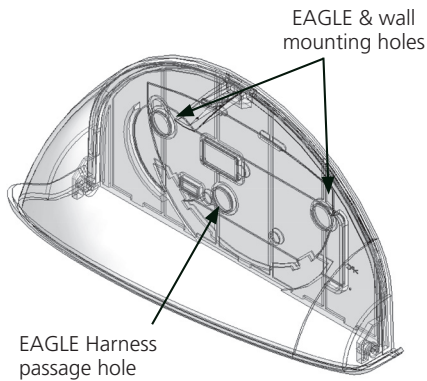
Once installation or service work is complete, a safety inspection of the door/gate shall be performed per the door/gate manufacturer's recommendations and/or per AAADM/ANSI/DASMA guidelines (where applicable) for best industry practices. Safety inspections must be performed during each service call – examples of these safety inspections can be found on an AAADM safety information label (e.g. ANSI/DASMA 102, ANSI/DASMA 107, UL294, UL325, and International Building Code).

Verify that all appropriate industry signage, warning labels, and placards are in place.

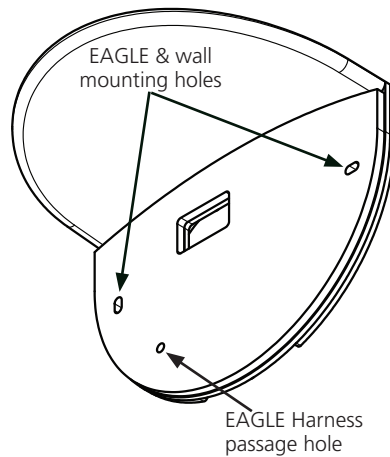


# INSTALLATION

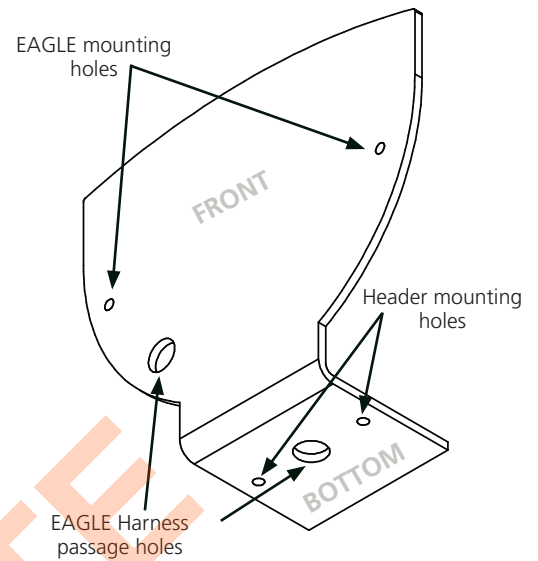
## RAIN COVER 10ERC



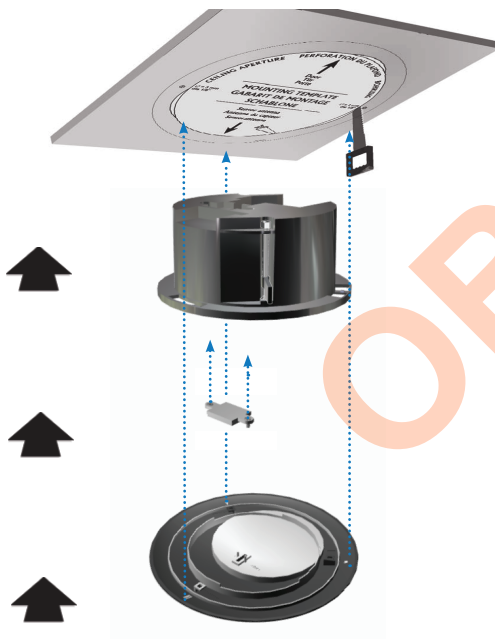
## RAIN ACCESSORY 10ERA



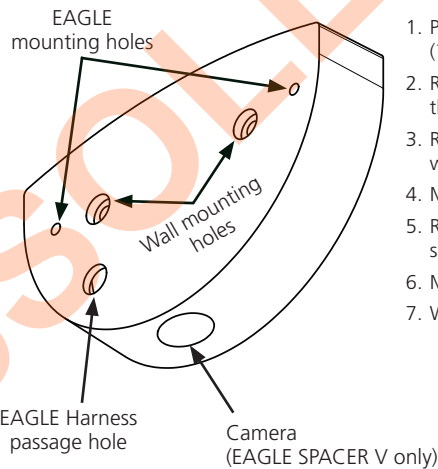
## MOUNTING BRACKET 10EMB



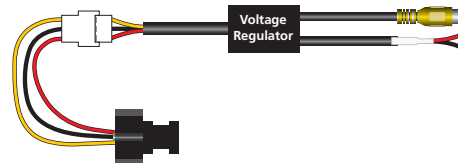
## CEILING ACCESSORY 10ECA



## SPACER / SPACER V 10EAGLESPACER / 10EAGLESPACERV



1. Pre-drill the EAGLE Harness passage hole (1/4" for SPACER, 1/2" for SPACER V).
2. Route the EAGLE Harness through the wall/header and then through the designated pass-thru on the spacer.
3. Route the EAGLE SPACER V camera harness through the wall/header and then plug into SPACER V connector.
4. Mount the spacer to wall/header using self-drilling screws.
5. Route the EAGLE Harness through the pass-thru on the sensor.
6. Mount sensor to accessory.
7. Wire the EAGLE Harness to the sensor.



### CAMERA TECHNICAL SPECIFICATIONS

Voltage regulator (built into wire harness):	6.6 – 36 VDC (±10%) 6 – 28 VAC (±10%)
Operating temperature:	-30 – 60 °C (max. RH: 95%)
Video output:	1.0 (V <sub>p-p</sub> ) / 75Ω
Image Sensor:	CMOS
Horizontal resolution:	480 TVL
NTSC output:	720 (H) × 480 (V)
Sync system:	Inter-Sync
Frame rate:	30 fps
Min. illumination:	0.01 LUX
AE control:	auto
Gain control:	auto
Elec. shutter:	1 s ~ 1/10,000 s
S/N ratio:	> 50 dB
AWB:	auto