



FOCUS & FOCUS 2

FOCUSED ACTIVE INFRARED PRESENCE SENSORS

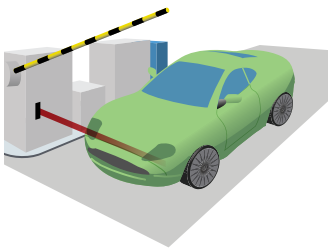
DESCRIPTION

BEA's **FOCUS** and **FOCUS 2** consists of focused active infrared-based presence sensors designed to effectively detect people and objects. These compact sensors can be used in a variety of applications where space may be limited or additional detection is required to complement pre-installed sensors, such as on revolving doors where pinch-zone protection is needed.

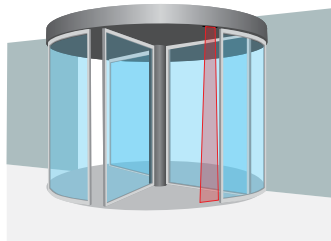
The **FOCUS 2** offers the same protection as the **FOCUS** but can be recess mounted.

The **FOCUS** and **FOCUS 2** can be used on revolving doors, drive-thru windows, and in industrial applications such as gate and access control.

APPLICATIONS



Gates & Barriers



Revolving Doors



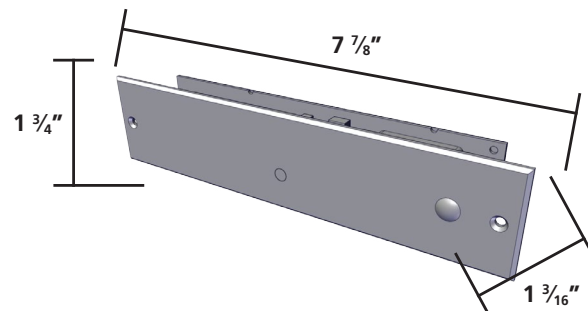
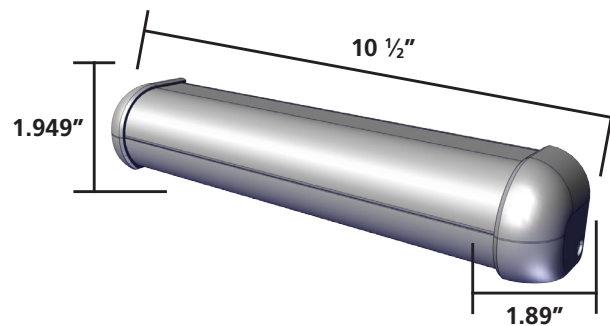
Drive-Thru / Pass-Thru



TECHNICAL SPECIFICATIONS

Technology	Focused Active Infrared
Detection Mode	Presence
Power Supply	24 VAC / VDC \pm 10%
Current Consumption	60 mA (On); 30 mA (Off)
Output Interface; Relay	Relay; max. contact rating is 1 A @ 30 V (resistive)
Detection Range	0 – 8 ½'
Distance Adjustment	2 – 8', rotating cam with linear adjustment
Detection Time	< 50ms
Detection Signal Duration	Infinite Presence Detection
LED Indicator	
Green	No Detection
Operating Temperature Range	-30 – 140 °F
Connection to controller	5-conductor cable
Relay Output	NO or NC

DIMENSIONS



DISCLAIMER Information is supplied upon the condition that the persons receiving it will make their own determination as to its suitability for their purposes prior to use. In no event will BEA be responsible for damages of any nature whatsoever resulting from the use of or reliance upon information from this document or the products to which the information refers. BEA has the right without liability to change descriptions and specifications at any time.

WWW.BEASENSORS.COM



BEA AMERICAS / RIDC Park West / 100 Enterprise Drive / Pittsburgh, PA
T 1-800-523-2462 / F 1-888-523-2462 / E info-us@BEAsensors.com

A Halma company