



IS40P

PRESENCE SENSOR WITH VIRTUAL LOOP FUNCTIONALITY

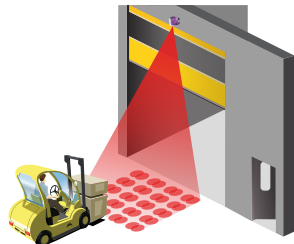
DESCRIPTION

BEA's **IS40P** is an infrared presence sensor designed for use in industrial applications. This sensor utilizes 40 active infrared spots for reliable presence detection.

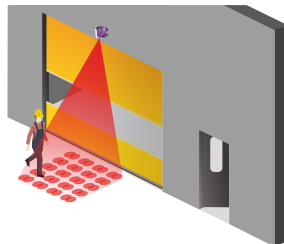
The **IS40P** is ideal for use on automatic industrial doors, vehicles gates / barriers, loading docks and other applications where presence detection is required. It can be mounted from 8 feet to 16 feet to fit most industrial applications.

Its rugged IP65 rated enclosure can withstand harsh environments and is capable of preventing damage caused by dust, rain and hose-directed water.

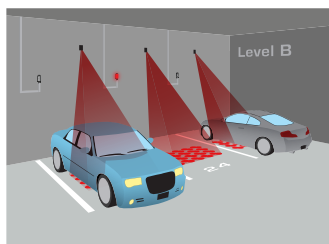
APPLICATIONS



Large Presence Detection Field



Pedestrian Cross Traffic Rejection



Presence Detection For Parking



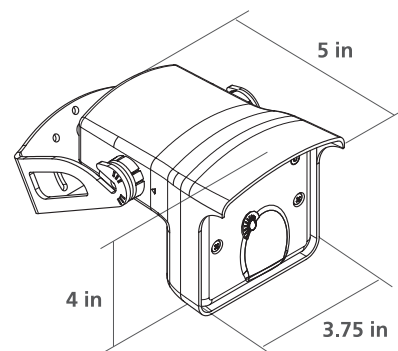
Vehicle & Gate Applications



TECHNICAL SPECIFICATIONS

Technology	Active Infrared
Detection Mode	Presence
Mains Frequency	50 – 60 Hz
Power Consumption	< 3.5 W
Output	2 Relays (free of potential change-over contact)
Max. Contact Voltage	42 VAC / VDC
Max. Contact Current	1 A (resistive)
Max. Switching Power	30 W (DC) / 48 VA (AC)
Supply Voltage	12 – 24 VAC; ±10% 12 – 24 VDC; 10% / -3%
Temperature Range	-22 – 140 °F
Tilt Angle	15 – 45°
Transmitter Frequency / Wavelength	875 nm
Transmitter Power Density	< 250 mW / m ²
Detection Field	10' × 10' @ max. mounting height of 16' (*emitting spots)
Output Hold Time	0.5 s
Min. Detection Speed	0 in / s to activate detection
Reaction Time	250 ms
Mounting Height	8 – 16'
Humidity	0 – 95% non-condensing
Weight	14 oz
Dimensions	3 1/2" (W) × 4" (H) × 5" (D)
Material	ABS & Polycarbonate
Cable Length	32'
Degree of Protection	IP65
Norm Conformity	EMC: 2004 / 108 / EC R&TTE: 1999 / 5 / EC

*Zone detected by SPOTFINDER, i.e. slightly larger than actual detection field



DISCLAIMER Information is supplied upon the condition that the persons receiving it will make their own determination as to its suitability for their purposes prior to use. In no event will BEA be responsible for damages of any nature whatsoever resulting from the use of or reliance upon information from this document or the products to which the information refers. BEA has the right without liability to change descriptions and specifications at any time.

WWW.BEASENSORS.COM



BEA AMERICAS / RIDC Park West / 100 Enterprise Drive / Pittsburgh, PA
T 1-800-523-2462 / F 1-888-523-2462 / E info-us@BEAsensors.com

A Halma company