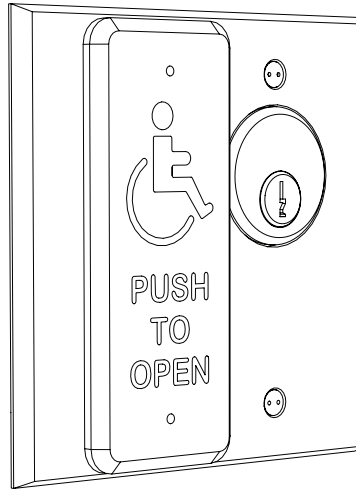




Visit website for available languages of this document.

# COMBO PLATE

Combination keyswitch and Push Plate switch



## TECHNICAL SPECIFICATIONS

Key switch:	SPST / Maintained (10COMBOPLATE) or Momentary contact (10COMBOPLATEMOM)
Push plate:	Cherry switch – SPST / Momentary Contact: 15A @ 125 VAC
Dimensions:	4 1/2" × 4 1/2"

*Specifications are subject to change without prior notice.  
All values measured in specific conditions.*



- Shut off all power going to header before attempting any wiring procedures.
- Maintain a clean and safe environment when working in public areas.
- Constantly be aware of pedestrian traffic around the door area.
- Always stop pedestrian traffic through the doorway when performing tests that may result in unexpected reactions by the door.
- ESD (electrostatic discharge):* Circuit boards are vulnerable to damage by electrostatic discharge. Before handling any board, ensure you dissipate your body's ESD charge.
- Always check placement of all wiring before powering up to ensure that moving door parts will not catch any wires and cause damage to equipment.
- Ensure compliance with all applicable safety standards (i.e. ANSI A156.10) upon completion of installation.
- DO NOT attempt any internal repair of the components. All repairs and/or component replacements must be performed by BEA, Inc. Unauthorized disassembly or repair:
  1. May jeopardize personal safety and may expose one to the risk of electrical shock.
  2. May adversely affect the safe and reliable performance of the product resulting in a voided warranty.

## PRE-INSTALLATION CHECK

1. When preparing to wire multiple devices together for a 'system' configuration, it is best to ensure the correct operation of each device independently before starting to help reduce troubleshooting time later in the event of a discrepancy.
2. Prior to installing any equipment, ensure the correct line voltage and stability. When applying equipment on a new installation utilizing new electrical supply circuits, always ensure that correct line voltage exists and is stable. Remember to shut the power back off after this is checked and before performing any wiring to the system.

# INSTALLATION

1. Install a double-gang electrical box.
2. Assemble the keyswitch portion of the assembly with a mortise cylinder (not included) – Figure 1.
3. NOTE: BEA recommends that a 1 1/8" length mortise cylinder be used in this assembly; however, a 1 1/4" length mortise cylinder will also work. Select the appropriate cam depending on the switch configuration (Figure 2).
4. Wire the Combo Plate for its intended use. The keyswitch can be wired to toggle the push plate switch ON and OFF (Figure 3) or the two switches can be wired for independent use.
5. Partially insert the two socket-cap screws into the upper-left and lower-left mounting holes of the electrical box. Slide the key holes of the Combo Plate over the screws and tighten by inserting a hex wrench into the through-holes of the push plate. Fasten the right side of the Combo Plate using two flathead screws (Figure 4).
6. NOTE: The installer may choose between two styles of screws: Phillips-head screws or tamper-resistant spanner screws (both provided in the hardware kit).

Figure 1

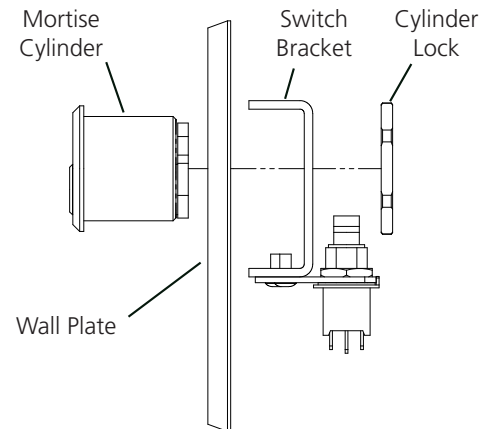
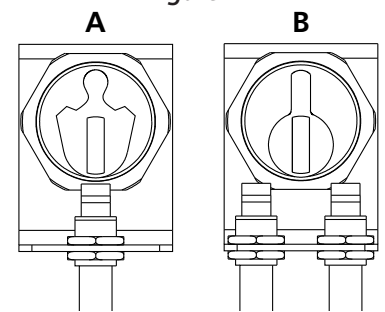


Figure 2



Adjust height of switch on bracket until cam triggers positively when rotated.

Figure 3

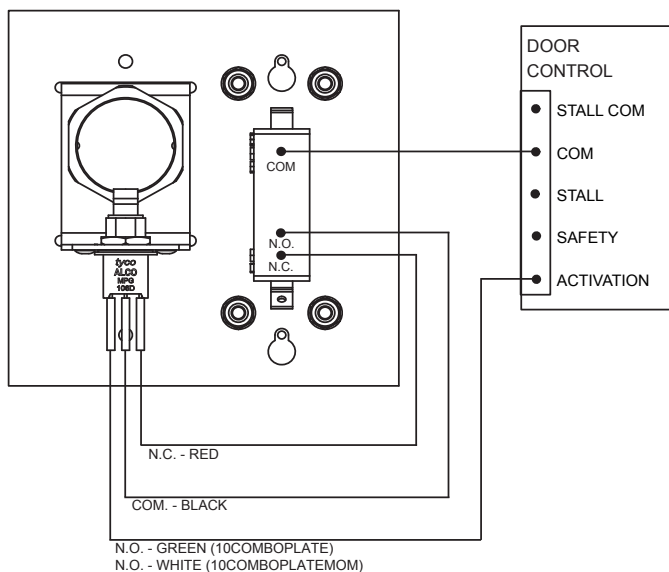
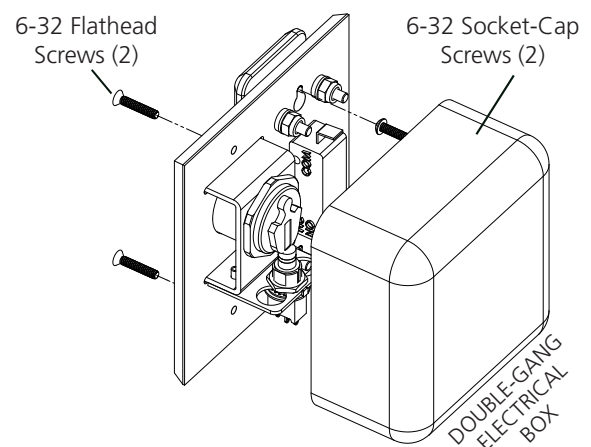


Figure 4



## BEA, INC. INSTALLATION/SERVICE COMPLIANCE EXPECTATIONS

BEA Inc., the sensor manufacturer, cannot be held responsible for incorrect installations or incorrect adjustments of the sensor/device; therefore, BEA Inc. does not guarantee any use of the sensor/device outside its intended purpose.

BEA Inc. strongly recommends that installation and service technicians be AAADM-certified for pedestrian doors, IDA-certified for doors/gates, and factory-trained for the type of door/gate system.

Installers and service personnel are responsible for executing a risk assessment following each installation/service performed, ensuring that the sensor/device system performance is compliant with local, national, and international regulations, codes, and standards.

Once installation or service work is complete, a safety inspection of the system shall be performed and documented per the manufacturer's recommendations or industry guidelines. Examples of compliance may apply to ANSI 156.10, ANSI 156.19, ANSI/DASMA 102, ANSI/DASMA 107, UL294, UL325, and International Building Code.

