



MS51

BATTERY-POWERED, TOUCHLESS ACTUATOR



DESCRIPTION

BEA's **MS51** is a long-lasting battery-powered, active infrared touchless actuator that reduces wiring and provides flexible mounting options. It may be hardwired or connected to wireless transmitters.

This solution boasts superior battery life with three years of uninterrupted operation* across a range of applications and environments.

MS51 offers reliable operation with key features engineered to ensure performance in challenging conditions, such as harsh lighting and cold weather climates. Selectable immunity modes focus on enhancing performance and mitigating environmental disturbances such as rain, water spray, and snow.

BEA's **MAGIC SWITCH®** line of touchless actuators provides germ-free door activation without physical contact for safer interactions, improved traffic flow, and enhanced accessibility. They are available in a variety of popular design options, including accessibility artwork.

* certain combinations of settings can affect maximum battery life

APPLICATIONS



Retail



Restroom



Healthcare



Outdoor environments

DISCLAIMER Information is supplied upon the condition that the persons receiving it will make their own determination as to its suitability for their purposes prior to use. In no event will BEA be responsible for damages of any nature whatsoever resulting from the use of or reliance upon information from this document or the products to which the information refers. BEA has the right without liability to change descriptions and specifications at any time.

TECHNICAL SPECIFICATIONS

TECHNOLOGY / PERFORMANCE

Technology	Active infrared
number of IR sensors	2
Detection range	
long range (default)	12" (30.5cm) max. (2 year maximum battery life, at 150 activations per day)
short range	6" (15.24cm) max. (3 year maximum battery life, at 150 activations per day)
Product temperature range	-22 – 158 °F (-30 – 70 °C)

ELECTRICAL

Output	1 electronic relay (galvanic isolation - polarity free)
max. switching voltage	42 VAC/VDC
max. switching current	100 ma
Power supply	3 VDC (2 AA batteries, each ~1.5 V max.)
Power consumption	< 0.5 mW (when idle) < 12 mW (upon activation)
Wire gauge	26-16 AWG

PHYSICAL

Dimensions (overall)

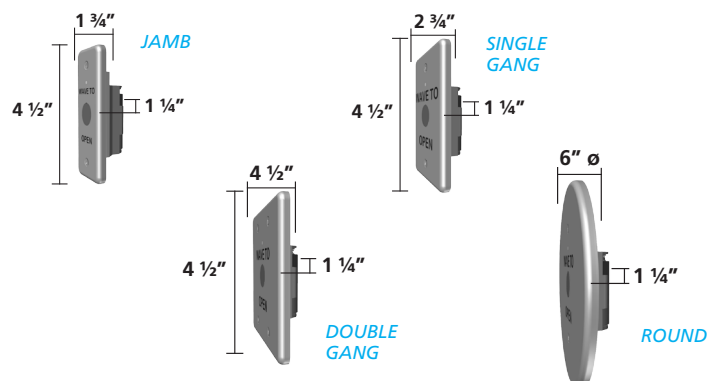
single gang	2 ¾" (W) × 4 ½" (H) × 1 ¼" (T)
double gang	4 ½" (W) × 4 ½" (H) × 1 ¼" (T)
round	6" (H/W) × 1 ¼" (T)
jamb	1 ¾" (W) × 4 ½" (H) × 1 ¼" (T)

Material Stainless steel 304 and PC

Weight
Single gang: 0.34 lb
Double gang: 0.55 lb
Round: 0.71 lb
Jamb: 0.29 lb

COMPLIANCE

IP rating IP65



WWW.BEASENSORS.COM



BEA AMERICAS / RIDC Park West / 100 Enterprise Drive / Pittsburgh, PA
T 1-800-523-2462 / F 1-888-523-2462 / E info-us@BEAsensors.com

A Halma company