



MS51W

BATTERY-POWERED, TOUCHLESS ACTUATOR WITH BUILT-IN, 900 MHz TRANSMITTER

DESCRIPTION

BEA's **MS51W** is a long-lasting battery-powered, active infrared touchless actuator with a built-in 900 MHz wireless transmitter that reduces wiring and provides flexible mounting options.

This solution boasts superior battery life with three years of uninterrupted operation* across a range of applications and environments. LED alerts indicate battery status for easy maintenance.

MS51W offers reliable operation with key features engineered to ensure performance in challenging conditions, such as harsh lighting and cold weather climates. Selectable immunity modes focus on enhancing performance and mitigating environmental disturbances such as rain, water spray, and snow.

BEA's **MAGIC SWITCH®** line of touchless actuators provides germ-free door activation without physical contact for safer interactions, improved traffic flow, and enhanced accessibility. They are available in a variety of popular design options, including accessibility artwork.

* certain combinations of settings can affect maximum battery life

APPLICATIONS



Retail



Restroom



Healthcare



Outdoor environments

DISCLAIMER Information is supplied upon the condition that the persons receiving it will make their own determination as to its suitability for their purposes prior to use. In no event will BEA be responsible for damages of any nature whatsoever resulting from the use of or reliance upon information from this document or the products to which the information refers. BEA has the right without liability to change descriptions and specifications at any time.



TECHNICAL SPECIFICATIONS

TECHNOLOGY / PERFORMANCE

Technology	Active infrared
number of IR sensors	2
Radio control type	Digital
Frequency	908 – 918 MHz (frequency hopping)
Emitted radio power	-25 dBm (transmitter)
Detection range	
long range (default)	12" (30.5cm) max. (2 year maximum battery life, at 150 activations per day)
short range	6" (15.24cm) max. (3 year maximum battery life, at 150 activations per day)
Product temperature range	-22 – 158 °F (-30 – 70 °C)

ELECTRICAL

Power supply	3 VDC (2 AA batteries, each ~1.5 V max.)
Power consumption	< 0.5 mW (when idle) < 25 mW (upon RF transmission)

PHYSICAL

Dimensions (overall)

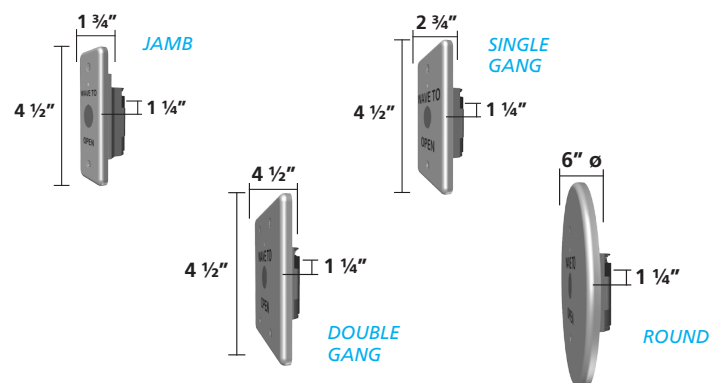
single gang	2 ¾" (W) × 4 ½" (H) × 1 ¼" (T)
double gang	4 ½" (W) × 4 ½" (H) × 1 ¼" (T)
round	6" (H/W) × 1 ¼" (T)
jamb	1 ¾" (W) × 4 ½" (H) × 1 ¼" (T)

Material Stainless steel 304 and PC

Weight
Single gang: 0.34 lb
Double gang: 0.55 lb
Round: 0.71 lb
Jamb: 0.29 lb

COMPLIANCE

IP rating	IP65
FCC certification	FCC: 2ABWS-10TD900PB IC: 4680A-10TD900PB



WWW.BEASENSORS.COM



BEA AMERICAS / RIDC Park West / 100 Enterprise Drive / Pittsburgh, PA
T 1-800-523-2462 / F 1-888-523-2462 / E info-us@BEAsensors.com

A Halma company