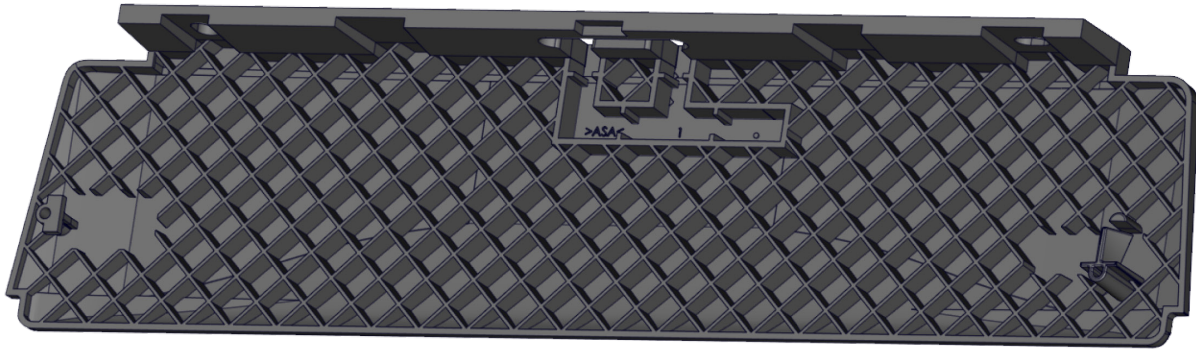


ULTIMO MOUNTING BRACKET

Bracket accessory for ULTIMO

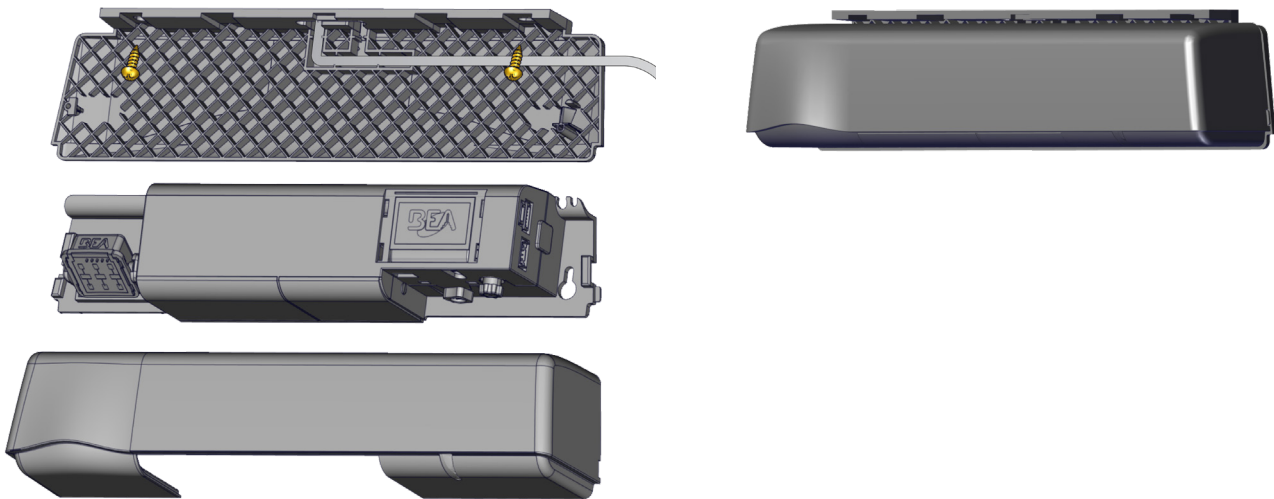


Visit website for available languages of this document.



Exploded assembly with ULTIMO sensor

Finished assembly with ULTIMO sensor installed



BEA, INC. INSTALLATION/SERVICE COMPLIANCE EXPECTATIONS

BEA, Inc., the sensor manufacturer, cannot be held responsible for incorrect installations or incorrect adjustments of the sensor/device; therefore, BEA, Inc. does not guarantee any use of the sensor/device outside of its intended purpose.

BEA, Inc. strongly recommends that installation and service technicians be AAADM-certified for pedestrian doors, IDA-certified for doors/gates, and factory-trained for the type of door/gate system.

Installers and service personnel are responsible for executing a risk assessment following each installation/service performed, ensuring that the sensor/device system performance is compliant with local, national, and international regulations, codes, and standards.

Once installation or service work is complete, a safety inspection of the door/gate shall be performed per the door/gate manufacturer's recommendations and/or per AAADM/ANSI/DASMA guidelines (where applicable) for best industry practices. Safety inspections must be performed during each service call – examples of these safety inspections can be found on an AAADM safety information label (e.g. ANSV/DASMA 102, ANSV/DASMA 107, UL294, UL325, and International Building Code).

Verify that all appropriate industry signage, warning labels, and placards are in place.



A Halma company

Tech Support & Customer Service: 1-800-523-2462 | General Tech Questions: techservices-us@BEAsensors.com | Tech Docs: www.BEAsensors.com

MOUNTING & ASSEMBLY

1. If mounting to the operator header, the intended mounting location shall not be more than 5" from the bottom of the header.

If mounting elsewhere, ensure the sensor location reveal is within the sensor tilt angle parameters (i.e. 3" maximum distance, compliant with ANSI 156.10, section 8.3.2.3).

2. Place the ULTIMO Mounting Bracket (UMB) in the desired mounting location, and mark and drill pilot holes.

3. Route the door control harness through the opening at the top, and then secure the UMB to the mounting location using the provided screws.

4. Slide ULTIMO sensor under the fastener on the left side of the UMB. On the right side, align the sensor base keyhole with the keyhole fastener of the UMB and push down to lock in place.

5. Wire as instructed in the ULTIMO User's Guide and replace the ULTIMO cover.

