

# UNIVERSAL RAIN ACCESSORY

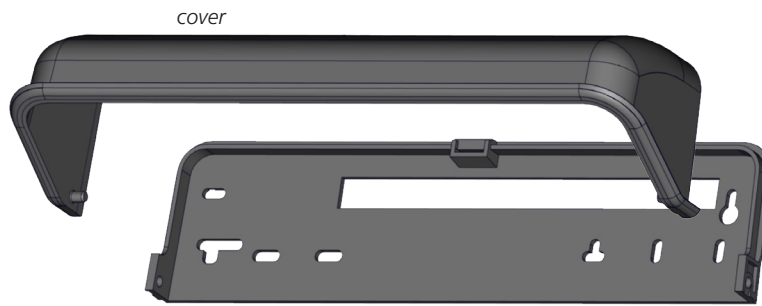
Bracket accessory for ULTIMO and IXIO sensors



Visit website for available languages of this document.



sensor not included



cover

base

## BEA, INC. INSTALLATION/SERVICE COMPLIANCE EXPECTATIONS

BEA, Inc., the sensor manufacturer, cannot be held responsible for incorrect installations or incorrect adjustments of the sensor/device; therefore, BEA, Inc. does not guarantee any use of the sensor/device outside of its intended purpose.

BEA, Inc. strongly recommends that installation and service technicians be AAADM-certified for pedestrian doors, IDA-certified for doors/gates, and factory-trained for the type of door/gate system.

Installers and service personnel are responsible for executing a risk assessment following each installation/service performed, ensuring that the sensor/device system performance is compliant with local, national, and international regulations, codes, and standards.

Once installation or service work is complete, a safety inspection of the door/gate shall be performed per the door/gate manufacturer's recommendations and/or per AAADM/ANSI/DASMA guidelines (where applicable) for best industry practices. Safety inspections must be performed during each service call – examples of these safety inspections can be found on an AAADM safety information label (e.g. ANSVDASMA 102, ANSVDASMA 107, UL294, UL325, and International Building Code).

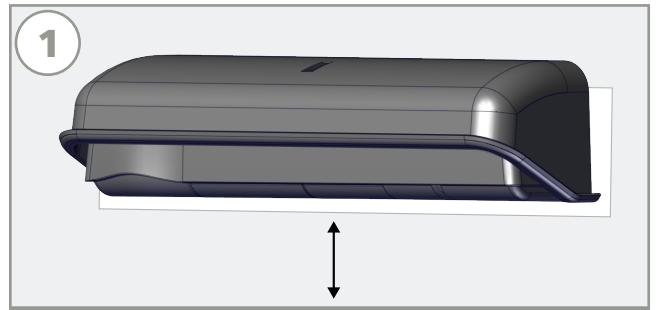
Verify that all appropriate industry signage, warning labels, and placards are in place.



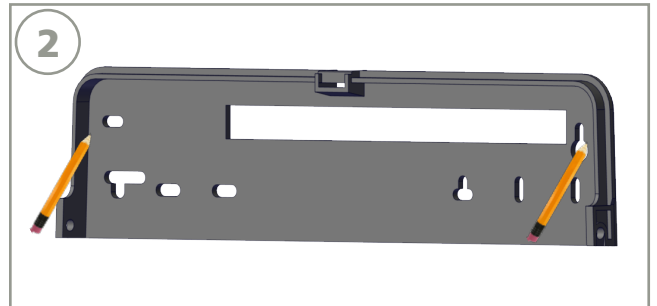
A Halma company

1. Verify the existing mounting location orientation:

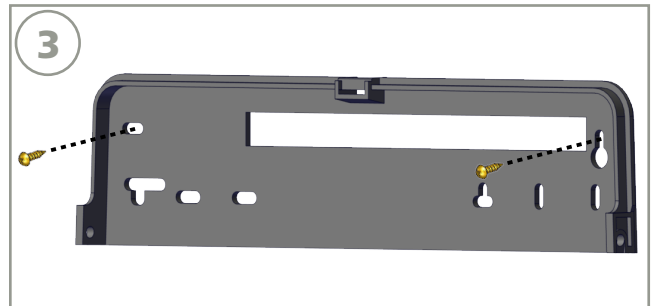
- **ULTIMO:** the bottom of the sensor is no more than 5" from the bottom of the door header
- **IXIO:** the bottom of the sensor is no more than 2" from the bottom of the door header



2. Place the Universal Rain Accessory (URA) base in the desired mounting location, and mark and drill pilot holes. *Remove existing sensor if necessary.*



3. Secure the URA base to the mounting location using the provided screws.



4. Secure the sensor to the URA base using the screws provided with the sensor.



5. Wire as instructed in the applicable sensor's User's Guide and secure the sensor cover.



6. Slightly pull the sides of the cover and insert the pin guides on the inside of the URA cover into the outside of the URA base.

