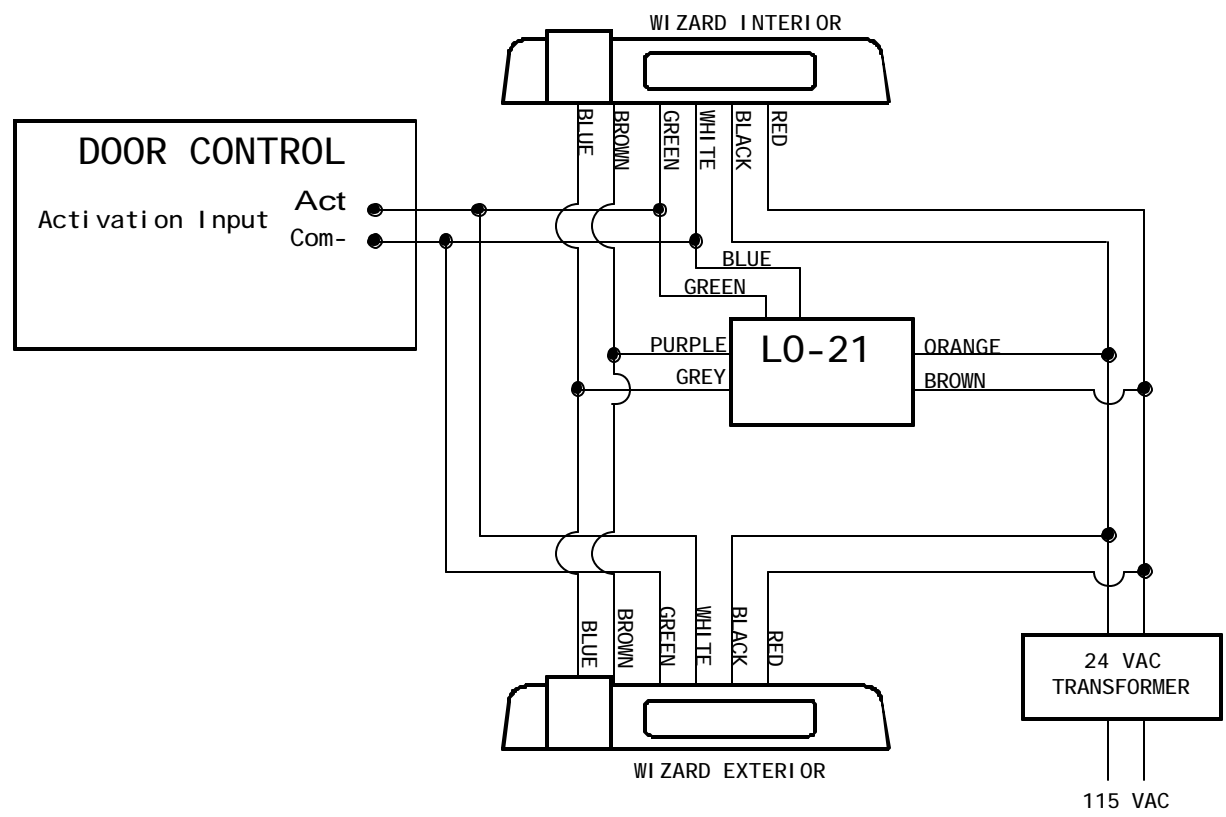


MOTION AND PRESENCE PARALLELED



BEA
We open up New Horizons

B.E.A., Inc.
100 Enterprise Drive, Pittsburgh, PA 15275
PH: (412) 249-4100 FAX: (412) 249-4101

TITLE: WIZARD SYSTEM WITH OLD STYLE ANALOG CONTROL BOXES HORTON 2160/ GYRO-TECH/ KM SYSTEMS

SIZE	CAGE CODE	DMGNO	FILE OF:	DRAWN BY:	REV
A		80.0004	ENG'G	JED	01
SCALE	DATE		SHEET		
NONE	02 JAN 04		1 OF 1		