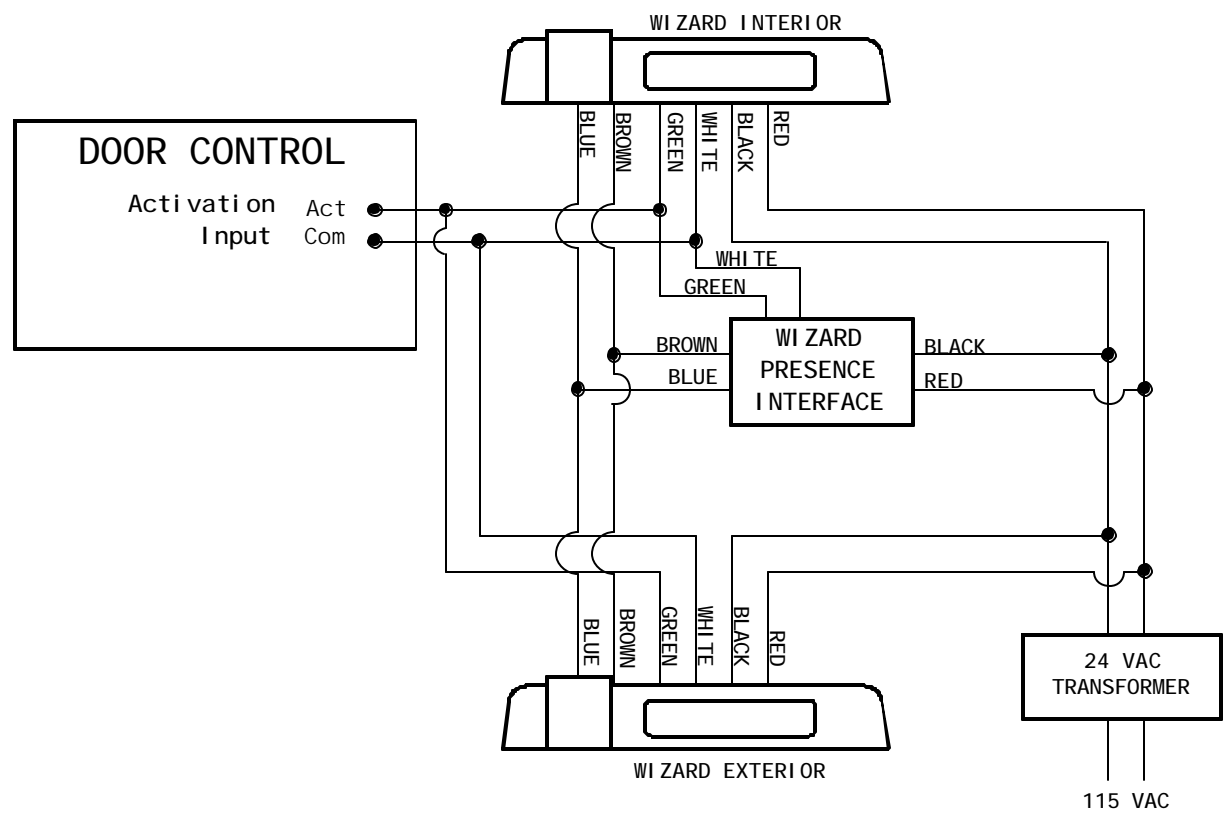



MOTION AND PRESENCE PARALLELED



		B.E.A., Inc. 100 Enterprise Drive, Pittsburgh, PA 15275 PH: (412) 249-4100 FAX: (412) 249-4101			
TITLE: RETROFIT WIZARD SYSTEM W/INTERFACE FOR ANALOG DOOR CONTROLS					
SIZE	CAGE CODE	DMGNO	FILE OF:	DRAWN BY:	REV
A		80.0005	ENG'G	JED	01
SCALE	DATE:		SHEET:		
NONE	02 JAN 04		1 OF 1		