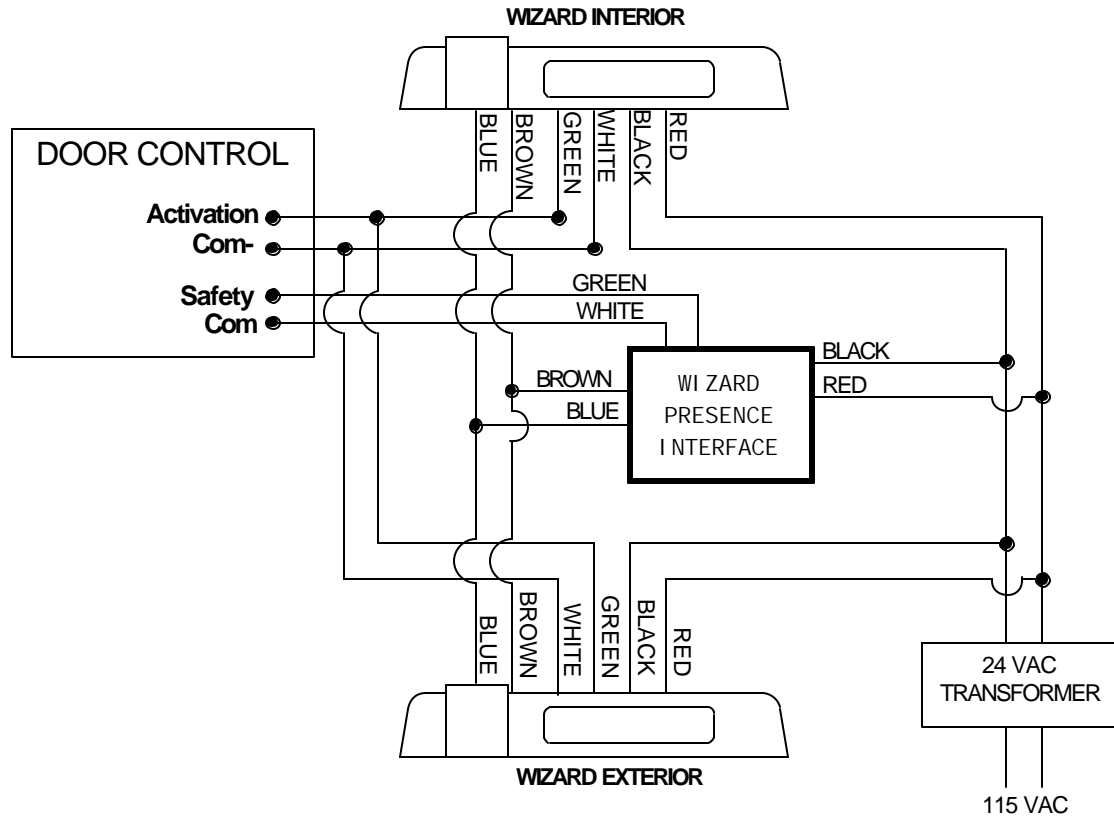


# MOTION AND PRESENCE SEPARATED



**B.E.A., Inc.**

100 Enterprise Drive, Pittsburgh, PA 15275

PH: (412) 249-4100 FAX: (412) 249-4101

**TITLE: WIZARD SYSTEM WITH  
INTERFACE FOR ANALOG DOOR CONTROLS  
MOTION & PRESENCE SEPERATED**

SIZE	CAGE CODE	DWGNO	FILE OF:	DRAWN BY:	REV
A		80.0006	ENG'G	JED	01
SCALE	DATE: 02 JAN 04		SHEET 1 OF 1		