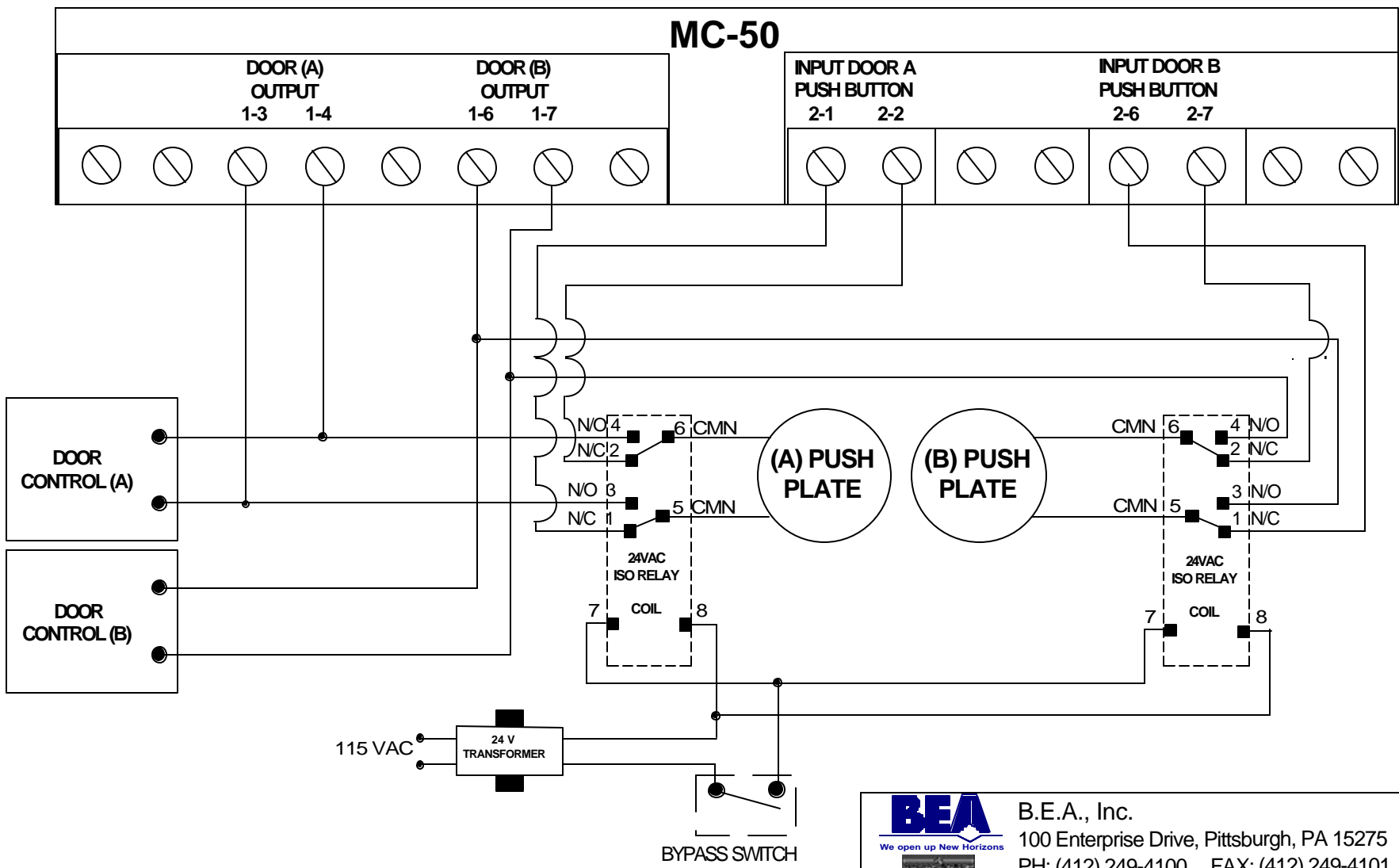



# MC-50



NOTES: 1) WIRE PUSH PLATES COMMON AND NORMALLY OPEN.  
 2) SYSTEM OPERATES IN THE INTERLOCK MODE WHEN BYPASS SWITCH IS OPEN.

					B.E.A., Inc. 100 Enterprise Drive, Pittsburgh, PA 15275 PH: (412) 249-4100 FAX: (412) 249-4101				
<b>TITLE: MC-50 WITH BYPASS SWITCH                  (NORMALLY BYPASSED)</b>									
SIZE:	CAGE CODE:	DWG NO.:	FILE OF:	DRAWN BY:	REV:				
A		80.0009	ENG'G	JED	01				
SCALE:	DATE:	SHEET:							
NONE	02 JAN 04	1 OF 1							