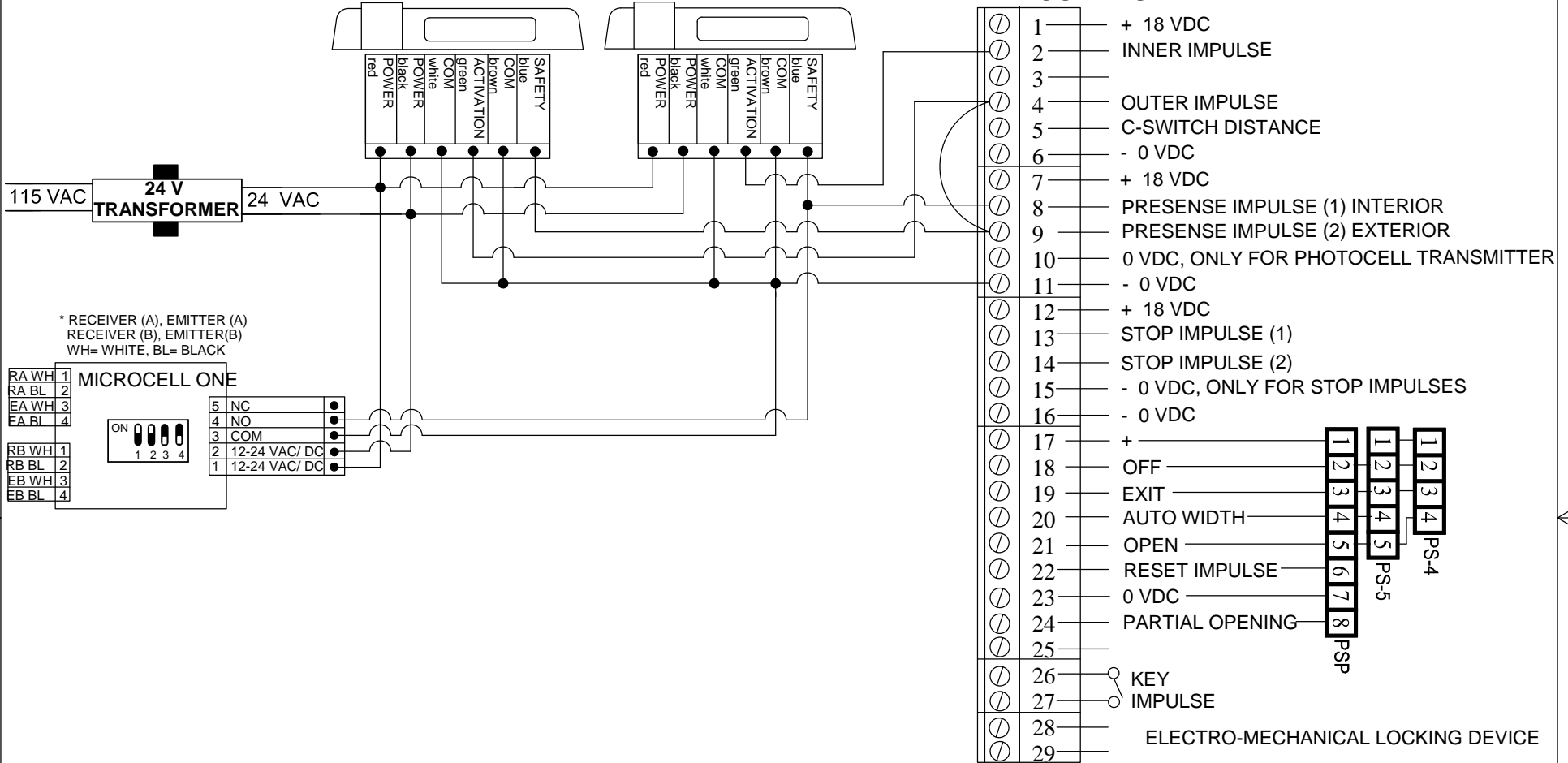
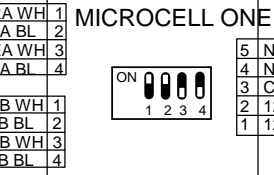


WIZARD EXTERIOR WIZARD INTERIOR

AMD 1 CONTROL



* RECEIVER (A), EMITTER (A)
 RECEIVER (B), EMITTER (B)
 WH= WHITE, BL= BLACK



- NOTE: 1) DO NOT CONNECT TO C SWITCH COMMON.
 2) OBSERVE POLARITY WITH BROWN CONNECTING TO GROUND(0 VDC).
 3) A JUMPER MUST BE INSTALLED BETWEEN PINS 4,9 ON CONTROL BOX TO ALLOW FOR RE-ENTRY SENSOR IN ONE- WAY TRAFFIC MODE TO MEET APPLICABLE ANSI STANDARD.

IF AFTER TROUBLESHOOTING A PROBLEM, A SATISFACTORY SOLUTION CANNOT BE ACHIEVED, PLEASE CALL B.E.A., INC. FOR FURTHER ASSISTANCE DURING EASTERN STANDARD TIME AT 1-800-523-2462 FROM 8AM - 5PM. FOR AFTER-HOURS, CALL EAST COAST: 1-866-836-1863 OR 1-800-407-4545 / MID-WEST: 1-888-308-8843 / WEST COAST: 1-888-419-2564. DO NOT LEAVE ANY PROBLEM UNRESOLVED. IF YOU MUST WAIT FOR THE FOLLOWING WORKDAY TO CALL B.E.A., LEAVE THE DOOR INOPERABLE UNTIL SATISFACTORY REPAIRS CAN BE MADE. NEVER SACRIFICE THE SAFE OPERATION OF THE AUTOMATIC DOOR OR GATE FOR AN INCOMPLETE SOLUTION.WEB: WWW.BEASENSORS.COM

BEA
 We open up New Horizons
 HALMA GROUP COMPANY
 100 ENTERPRISE DRIVE
 PITTSBURGH, PA 15275
 PHONE: (412) 249-4100
 FAX: (412) 249-4101
 EMAIL: www.beasensors.com

TITLE: BESAM AMD1, EMD SLIDING DOOR WIZARD II SYSTEM, MICROCELL

SIZE: A	DRAWN BY: KJG	REV BY: KJG	PART NO: 80.0059.04
	SCALE: NONE	DATE: 14 JUL 05	SHEET 1 OF 1