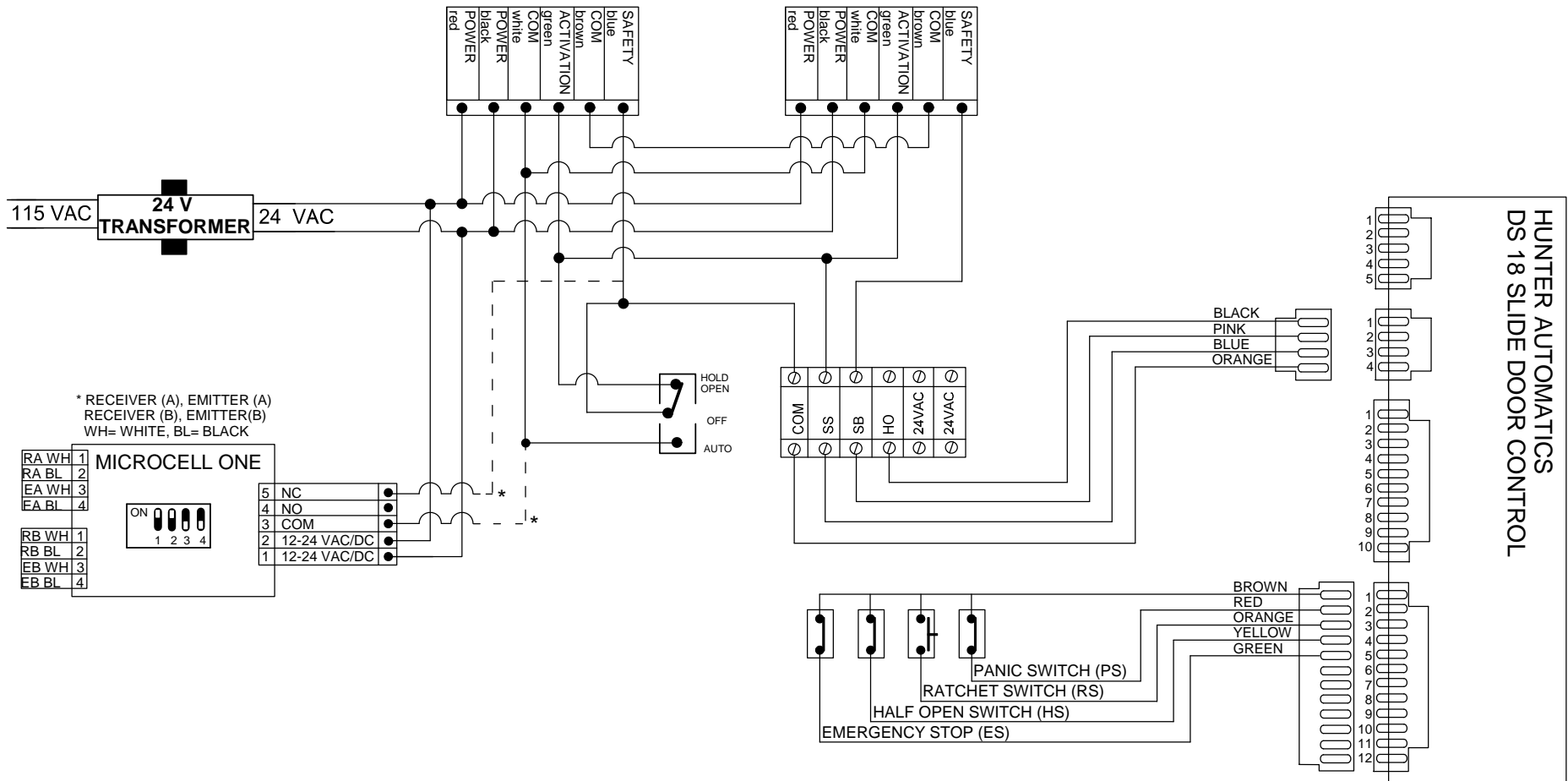


WIZARD EXTERIOR WIZARD INTERIOR



NOTES: * IF USING MICROCELLS. ROUTE MICROCELL COMMON TO CONTROL COMMON. REMOVE BLUE EXTERIOR WIZARD WIRE FROM CONTROL COMMON AND CONNECT TO MICROCELL N.C. THE "SB" CIRCUIT MUST BE N.C. WHEN USING 3 POS. SWITCH.

IF AFTER TROUBLESHOOTING A PROBLEM, A SATISFACTORY SOLUTION CANNOT BE ACHIEVED, PLEASE CALL B.E.A., INC. FOR FURTHER ASSISTANCE DURING EASTERN STANDARD TIME AT 1-800-523-2462 FROM 8AM - 5PM. FOR AFTER-HOURS, CALL EAST COAST: 1-866-836-1863 OR 1-800-407-4545 / MID-WEST: 1-888-308-8843 / WEST COAST: 1-888-419-2564. DO NOT LEAVE ANY PROBLEM UNRESOLVED. IF YOU MUST WAIT FOR THE FOLLOWING WORKDAY TO CALL B.E.A., LEAVE THE DOOR INOPERABLE UNTIL SATISFACTORY REPAIRS CAN BE MADE. NEVER SACRIFICE THE SAFE OPERATION OF THE AUTOMATIC DOOR OR GATE FOR AN INCOMPLETE SOLUTION. WEB: WWW.BEASENSORS.COM

 BEA <small>OPEN UP NEW HORIZONS</small> <small>A HALMA GROUP COMPANY</small>				100 ENTERPRISE DRIVE PITTSBURGH, PA 15275 PHONE: (412) 249-4100 FAX: (412) 249-4101 EMAIL: www.beasensors.com			
TITLE: HUNTER AUTOMATICS DS 18 WIZARD SYSTEM, MICROCELLS 3 POS. SWITCH WIRING							
SIZE:	DRAWN BY:	REV BY:	PART NO:				
A	KJG	EOF	80.0232.00				
SCALE:	DATE:	SHEET		1 OF 1			
NONE	24 OCT. 2005						