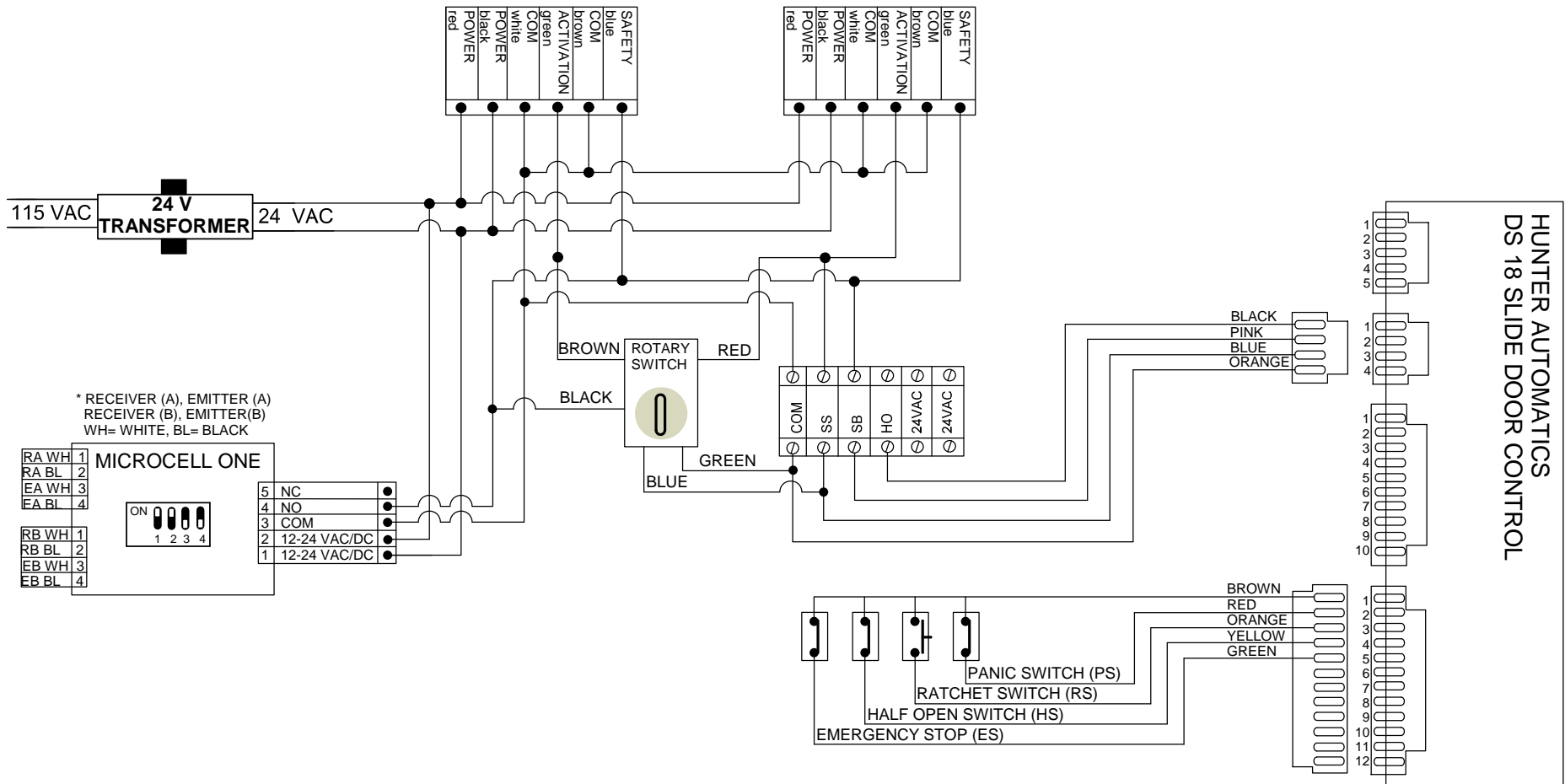
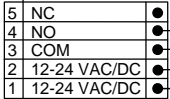
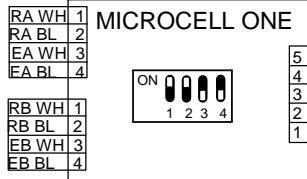


WIZARD EXTERIOR WIZARD INTERIOR



* RECEIVER (A), EMITTER (A)
 RECEIVER (B), EMITTER (B)
 WH= WHITE, BL= BLACK



NOTES:

IF AFTER TROUBLESHOOTING A PROBLEM, A SATISFACTORY SOLUTION CANNOT BE ACHIEVED, PLEASE CALL B.E.A., INC. FOR FURTHER ASSISTANCE DURING EASTERN STANDARD TIME AT 1-800-523-2462 FROM 8AM - 5PM. FOR AFTER-HOURS, CALL EAST COAST: 1-866-836-1863 OR 1-800-407-4545 / MID-WEST: 1-888-308-8843 / WEST COAST: 1-888-419-2564. DO NOT LEAVE ANY PROBLEM UNRESOLVED. IF YOU MUST WAIT FOR THE FOLLOWING WORKDAY TO CALL B.E.A., LEAVE THE DOOR INOPERABLE UNTIL SATISFACTORY REPAIRS CAN BE MADE. NEVER SACRIFICE THE SAFE OPERATION OF THE AUTOMATIC DOOR OR GATE FOR AN INCOMPLETE SOLUTION. WEB: WWW.BEASENSORS.COM

			
100 ENTERPRISE DRIVE PITTSBURGH, PA 15275 PHONE: (412) 249-4100 FAX: (412) 249-4101 EMAIL: www.beasensors.com			
TITLE: HUNTER AUTOMATICS DS 18 WIZARD SYSTEM, MICROCELLS ROTARY SWITCH			
SIZE:	DRAWN BY:	REV BY:	PART NO:
A	KJG	EOF	80.0233.00
	SCALE:	DATE:	SHEET
	NONE	24 OCT. 2005	1 OF 1