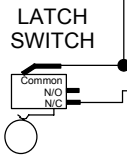
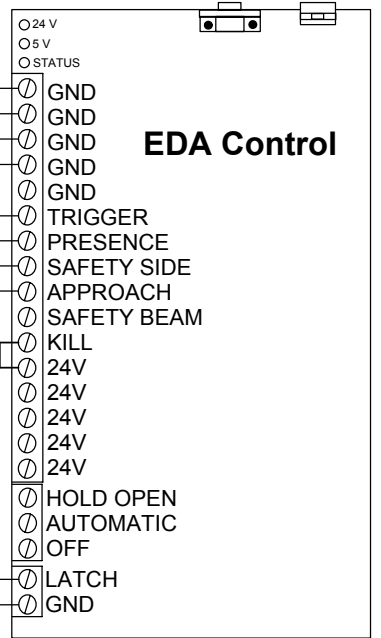
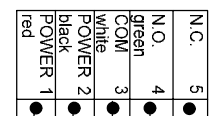
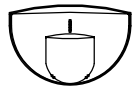


EAGLE

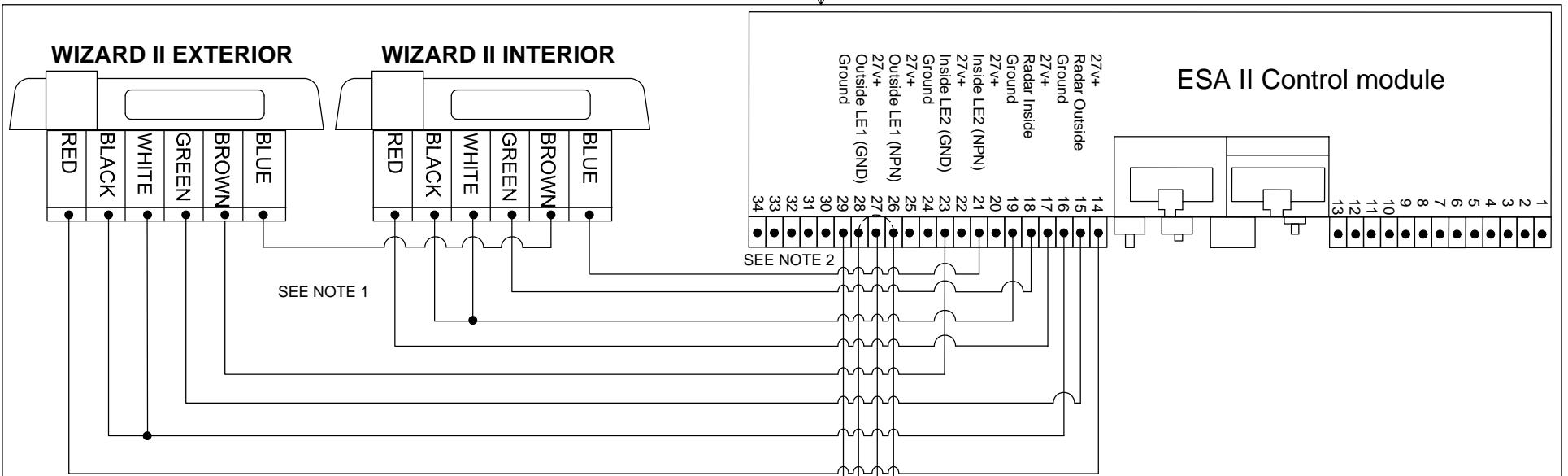


BEA
 We open up New Horizons
 A HALMA GROUP COMPANY
 100 ENTERPRISE DRIVE
 PITTSBURGH, PA 15275
 PHONE: (412) 249-4100
 FAX: (412) 249-4101
 EMAIL: www.beasensors.com

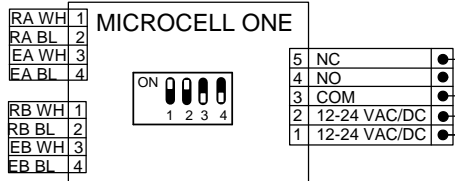
TITLE: DORMA EDA WITH PARALLAX 1 SYSTEM

SIZE: A	DRAWN BY: KJG	REV BY: JDC	PART NO: 80.0156.02
	SCALE: NONE	DATE: 20 MARCH 2006	SHEET 1 OF 1

IF AFTER TROUBLESHOOTING A PROBLEM, A SATISFACTORY SOLUTION CANNOT BE ACHIEVED, PLEASE CALL B.E.A., INC. FOR FURTHER ASSISTANCE DURING EASTERN STANDARD TIME AT 1-800-523-2462 FROM 8AM - 5PM. FOR AFTER-HOURS, CALL EAST COAST: 1-866-836-1863 OR 1-800-407-4545 / MID-WEST: 1-888-308-8843 / WEST COAST: 1-888-419-2564. DO NOT LEAVE ANY PROBLEM UNRESOLVED. IF YOU MUST WAIT FOR THE FOLLOWING WORKDAY TO CALL B.E.A., LEAVE THE DOOR INOPERABLE UNTIL SATISFACTORY REPAIRS CAN BE MADE. NEVER SACRIFICE THE SAFE OPERATION OF THE AUTOMATIC DOOR OR GATE FOR AN INCOMPLETE SOLUTION.WEB: WWW.BEASENSORS.COM



* RECEIVER (A), EMITTER (A)
 RECEIVER (B), EMITTER(B)
 WH= WHITE, BL= BLACK

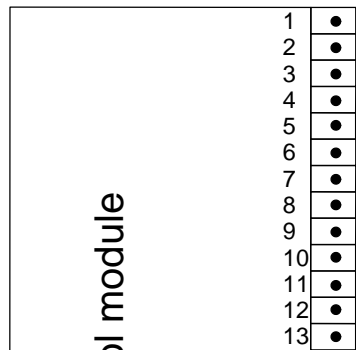


NOTES: 1.) SET OUTPUT CONFIGURATION ON BOTH WIZARDS TO "1"
 2.) IF NO SAFETY BEAMS INSERT JUMPER INTO 26 & 28.

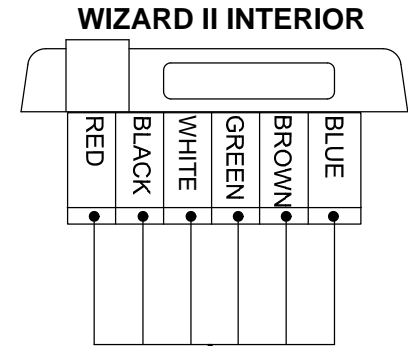
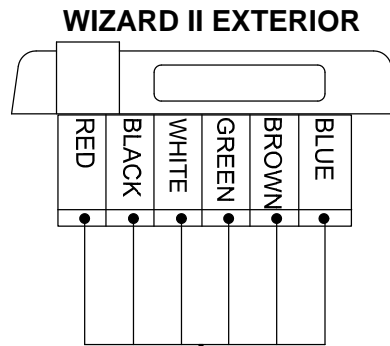
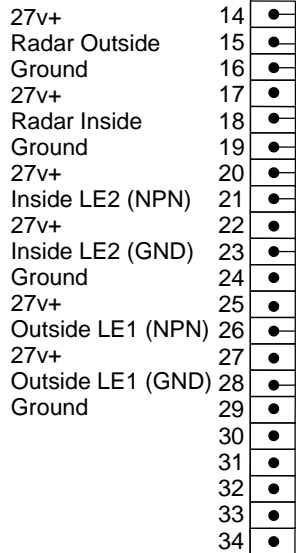
IF AFTER TROUBLESHOOTING A PROBLEM, A SATISFACTORY SOLUTION CANNOT BE ACHIEVED, PLEASE CALL B.E.A., INC. FOR FURTHER ASSISTANCE DURING EASTERN STANDARD TIME AT 1-800-523-2462 FROM 8AM - 5PM. FOR AFTER-HOURS, CALL EAST COAST: 1-866-836-1863 OR 1-800-407-4545 / MID-WEST: 1-888-308-8843 / WEST COAST: 1-888-419-2564. DO NOT LEAVE ANY PROBLEM UNRESOLVED. IF YOU MUST WAIT FOR THE FOLLOWING WORKDAY TO CALL B.E.A., LEAVE THE DOOR INOPERABLE UNTIL SATISFACTORY REPAIRS CAN BE MADE. NEVER SACRIFICE THE SAFE OPERATION OF THE AUTOMATIC DOOR OR GATE FOR AN INCOMPLETE SOLUTION.WEB: WWW.BEASENSORS.COM

BEA
 We open up New Horizons
 HALMA GROUP COMPANY
 100 ENTERPRISE DRIVE
 PITTSBURGH, PA 15275
 PHONE: (412) 249-4100
 FAX: (412) 249-4101
 EMAIL: www.beasensors.com

TITLE: Dorma ESA II, Wizard II MICROCELL			
SIZE: A	DRAWN BY: KJG	REV BY: WJR	PART NO: 80.0235.01
	SCALE: NONE	DATE: 03/26/2009	SHEET 1 OF 1



ESA II Control module



NOTES: 1.) SET OUTPUT CONFIGURATION ON BOTH WIZARDS TO "1".

IF AFTER TROUBLESHOOTING A PROBLEM, A SATISFACTORY SOLUTION CANNOT BE ACHIEVED, PLEASE CALL B.E.A., INC. FOR FURTHER ASSISTANCE DURING EASTERN STANDARD TIME AT 1-800-523-2462 FROM 8AM - 5PM. FOR AFTER-HOURS, CALL EAST COAST: 1-866-836-1863 OR 1-800-407-4545 / MID-WEST: 1-888-308-8843 / WEST COAST: 1-888-419-2564. DO NOT LEAVE ANY PROBLEM UNRESOLVED. IF YOU MUST WAIT FOR THE FOLLOWING WORKDAY TO CALL B.E.A., LEAVE THE DOOR INOPERABLE UNTIL SATISFACTORY REPAIRS CAN BE MADE. NEVER SACRIFICE THE SAFE OPERATION OF THE AUTOMATIC DOOR OR GATE FOR AN INCOMPLETE SOLUTION.WEB: WWW.BEASENSORS.COM

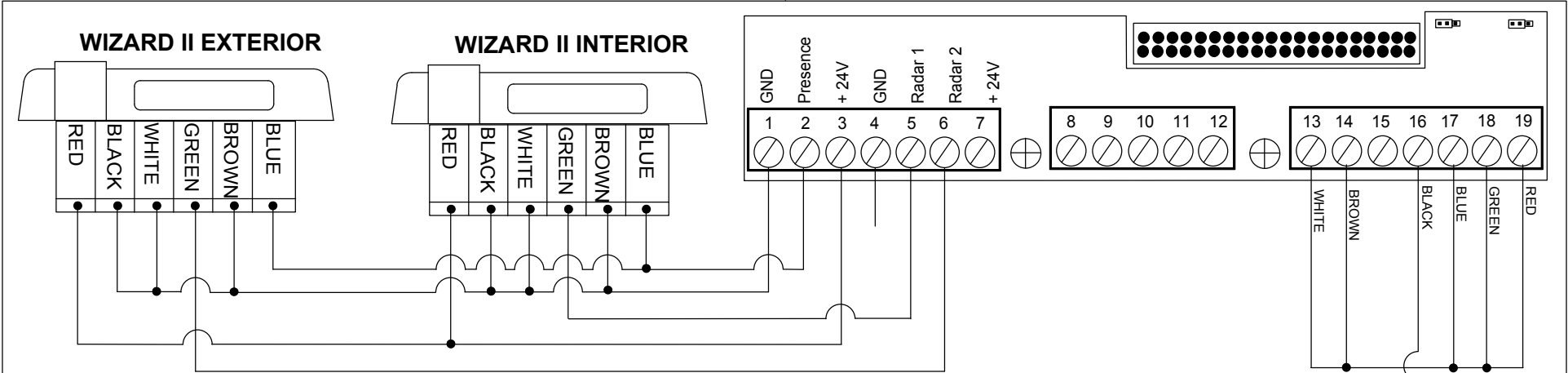


100 ENTERPRISE DRIVE
 PITTSBURGH, PA 15275
 PHONE: (412) 249-4100
 FAX: (412) 249-4101
 EMAIL: www.beasensors.com

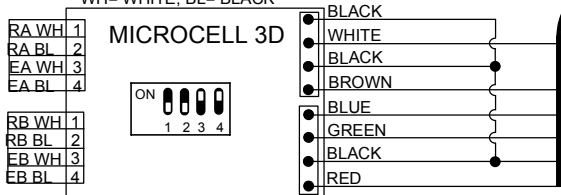
TITLE:

Dorma ESA II, Wizard II

SIZE: A	DRAWN BY: KJG	REV BY: WJR	PART NO: 80.0309.01
	SCALE: NONE	DATE: 03/26/2009	SHEET 1 OF 1



* RECEIVER (A), EMITTER (A)
 RECEIVER (B), EMITTER (B)
 WH= WHITE, BL= BLACK



MICROCELL 3D DIP SWITCH SETTINGS		
	ON	OFF
1	PNP OUTPUTS	NPN OUTPUTS
2	INVERTED OUTPUTS	NORMAL OUTPUTS
3	STD RANGE (B)	REDUCED RANGE (B)
4	STD RANGE (A)	REDUCED RANGE (A)

NOTES: WHEN COMPLETE ENSURE COMPLIANCE TO ALL APPLICABLE SAFETY/ANSI STANDARDS FOR PERFORMANCE.

Wizard II Default Settings

Rain Mode 2	Relay Hold Time 0	IR Curtain 3	Auto Learn 1	Setup 0
Sensitivity 7	Re-Direction 0	Radar Detection Mode 3	Immunity 3	Door Control Function 1

PRELIMINARY

 We open up New Horizons HALMA GROUP COMPANY	B.E.A., Inc. 100 Enterprise Drive Pittsburgh, PA 15275 PH: (412) 249-4100 FAX: (412) 249-4101 www.beasensors.com				
	TITLE: Dorma ESA, Wizard II MICROCELL 3D				
SIZE: A	CAGE CODE:	DWG NO:	FILE OF: Tech Support	DRAWN BY:	REV:
SCALE: NTS	DATE: 18 April, 2005	SHEET: 1 OF 1			