

NOTE: 1) DPS MUST BE CLOSED WHEN DOOR IS CLOSED  
 2) EAGLE USED ONLY AS SECONDARY ACTIVATION

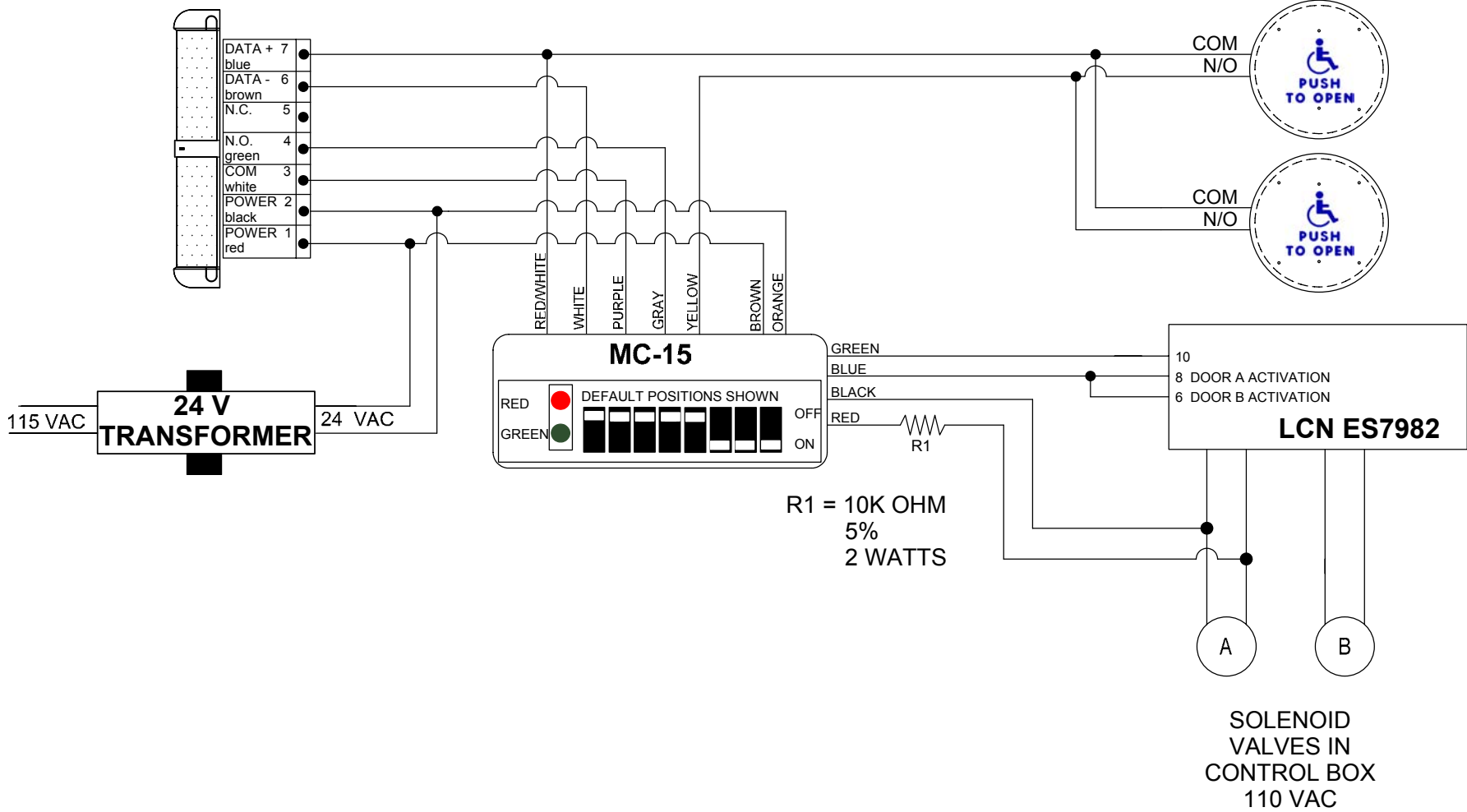
IF AFTER TROUBLESHOOTING A PROBLEM, A SATISFACTORY SOLUTION CANNOT BE ACHIEVED, PLEASE CALL B.E.A., INC. FOR FURTHER ASSISTANCE DURING EASTERN STANDARD TIME AT 1-800-523-2462 FROM 8AM - 5PM. FOR AFTER-HOURS, CALL EAST COAST: 1-866-836-1863 OR 1-800-407-4545 / MID-WEST: 1-888-308-8843 / WEST COAST: 1-888-419-2564. DO NOT LEAVE ANY PROBLEM UNRESOLVED. IF YOU MUST WAIT FOR THE FOLLOWING WORKDAY TO CALL B.E.A., LEAVE THE DOOR INOPERABLE UNTIL SATISFACTORY REPAIRS CAN BE MADE. NEVER SACRIFICE THE SAFE OPERATION OF THE AUTOMATIC DOOR OR GATE FOR AN INCOMPLETE SOLUTION. WEB: WWW.BEASENSORS.COM

**BEA**  
 We open up New Horizons  
 HALMA GROUP COMPANY  
 100 ENTERPRISE DRIVE  
 PITTSBURGH, PA 15275  
 PHONE: (412) 249-4100  
 FAX: (412) 249-4101  
 EMAIL: www.beasensors.com

**TITLE: LCN LOW ENERGY 4630/4640 WITH MC-15, BODYGUARD, EAGLE & SUPERSCANS**

SIZE: <b>A</b>	DRAWN BY: KJG	REV BY: WJR	PART NO: <b>80.0037.03</b>
	SCALE: NONE	DATE: 20 MAY 2008	SHEET 1 OF 1

**BODYGUARD**



R1 = 10K OHM  
5%  
2 WATTS

SOLENOID  
VALVES IN  
CONTROL BOX  
110 VAC

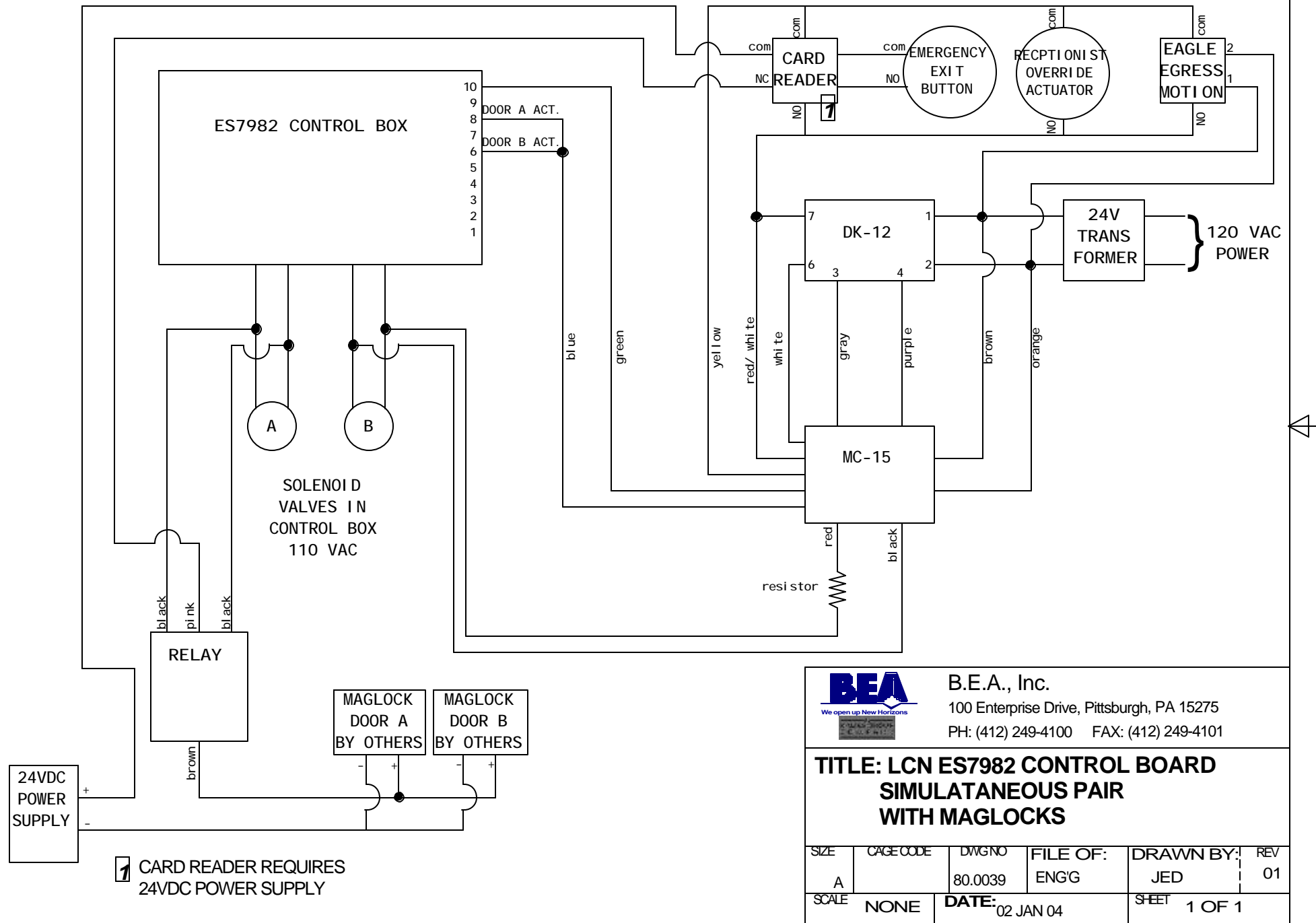
**BEA**  
We open up New Horizons  
A HALMA GROUP COMPANY  
100 ENTERPRISE DRIVE  
PITTSBURGH, PA 15275  
PHONE: (412) 249-4100  
FAX: (412) 249-4101  
EMAIL: www.beasensors.com

**TITLE: LCN ES7982 LOW ENERGY CONTROL BOARD SIMULTANEOUS PAIR**

SIZE: <b>A</b>	DRAWN BY: KJG	REV BY: KJG	PART NO: <b>80.0038.02</b>
	SCALE: NONE	DATE: 24 MAY 2005	SHEET 1 OF 1

IF AFTER TROUBLESHOOTING A PROBLEM, A SATISFACTORY SOLUTION CANNOT BE ACHIEVED, PLEASE CALL B.E.A., INC. FOR FURTHER ASSISTANCE DURING EASTERN STANDARD TIME AT 1-800-523-2462 FROM 8AM - 5PM. FOR AFTER-HOURS, CALL EAST COAST: 1-866-836-1863 OR 1-800-407-4545 / MID-WEST: 1-888-308-8843 / WEST COAST: 1-888-419-2564. DO NOT LEAVE ANY PROBLEM UNRESOLVED. IF YOU MUST WAIT FOR THE FOLLOWING WORKDAY TO CALL B.E.A., LEAVE THE DOOR INOPERABLE UNTIL SATISFACTORY REPAIRS CAN BE MADE. NEVER SACRIFICE THE SAFE OPERATION OF THE AUTOMATIC DOOR OR GATE FOR AN INCOMPLETE SOLUTION. WEB: WWW.BEASENSORS.COM

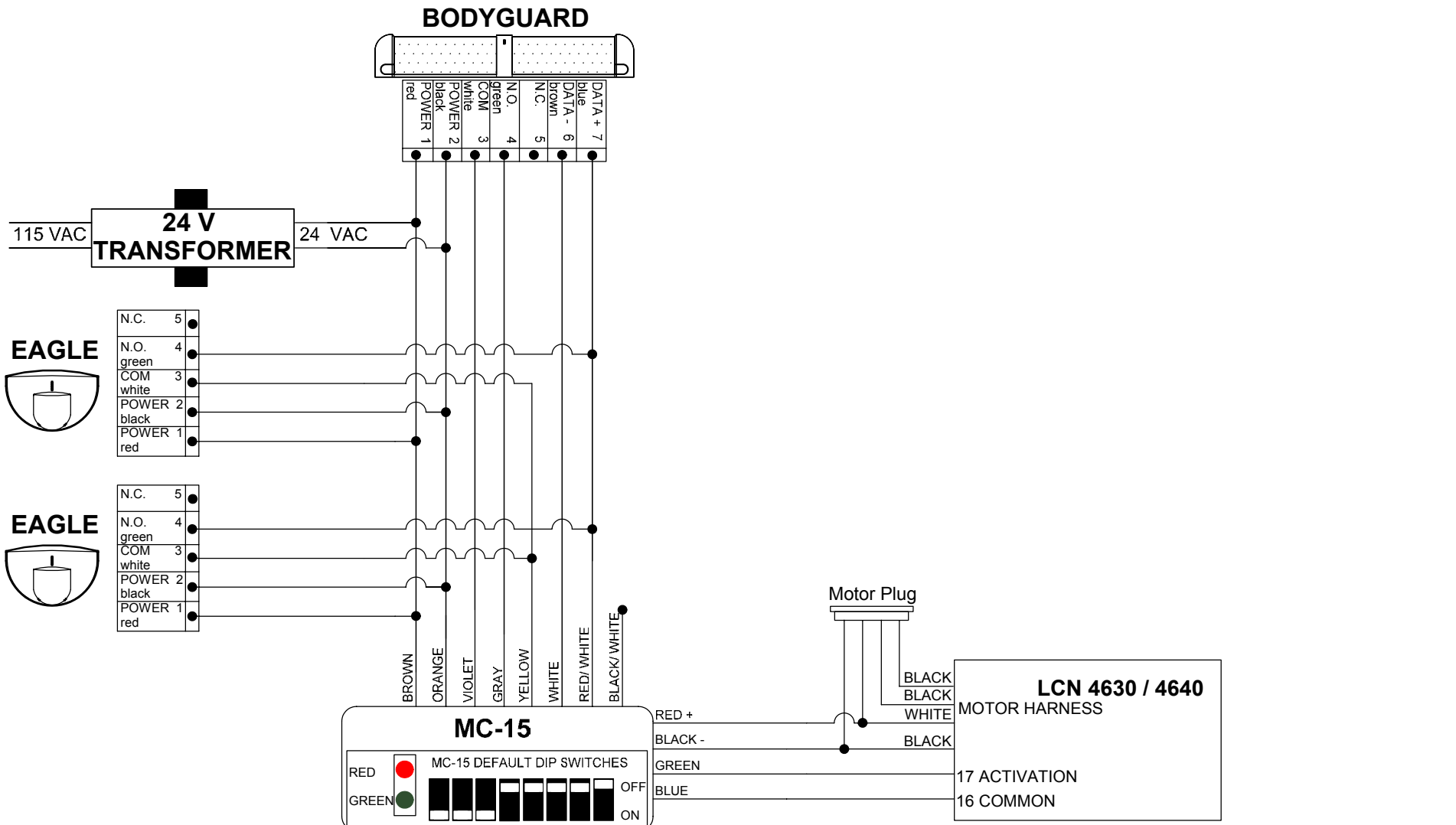
# LCN ES7982 CONTROL BOARD SIMULTANEOUS PAIR WITH MAGLOCKS



**B.E.A., Inc.**  
 100 Enterprise Drive, Pittsburgh, PA 15275  
 PH: (412) 249-4100 FAX: (412) 249-4101

**TITLE: LCN ES7982 CONTROL BOARD  
 SIMULATANEUS PAIR  
 WITH MAGLOCKS**

SIZE A	CAGE CODE NONE	DWG NO 80.0039	FILE OF: ENG'G	DRAWN BY: JED	REV 01
DATE: 02 JAN 04			SHEET 1 OF 1		



NOTES: 1 ) MC15 DIP SWITCHES 6,7,8 NOT USED

IF AFTER TROUBLESHOOTING A PROBLEM, A SATISFACTORY SOLUTION CANNOT BE ACHIEVED, PLEASE CALL B.E.A., INC. FOR FURTHER ASSISTANCE DURING EASTERN STANDARD TIME AT 1-800-523-2462 FROM 8AM - 5PM. FOR AFTER-HOURS, CALL EAST COAST: 1-866-836-1863 OR 1-800-407-4545 / MID-WEST: 1-888-308-8843 / WEST COAST: 1-888-419-2564. DO NOT LEAVE ANY PROBLEM UNRESOLVED. IF YOU MUST WAIT FOR THE FOLLOWING WORKDAY TO CALL B.E.A., LEAVE THE DOOR INOPERABLE UNTIL SATISFACTORY REPAIRS CAN BE MADE. NEVER SACRIFICE THE SAFE OPERATION OF THE AUTOMATIC DOOR OR GATE FOR AN INCOMPLETE SOLUTION. WEB: WWW.BEASENSORS.COM

**BEA**  
 We open up New Horizons  
 HALMA GROUP COMPANY  
 100 ENTERPRISE DRIVE  
 PITTSBURGH, PA 15275  
 PHONE: (412) 249-4100  
 FAX: (412) 249-4101  
 EMAIL: www.beasensors.com

**TITLE: LCN 4630/4640 WITH MC-15, BODYGUARD AND EAGLES**

SIZE: <b>A</b>	DRAWN BY: KJG	REV BY: KJG	PART NO: <b>80.0189.02</b>
	SCALE: NONE	DATE: 27 NOV 2005	SHEET 1 OF 1