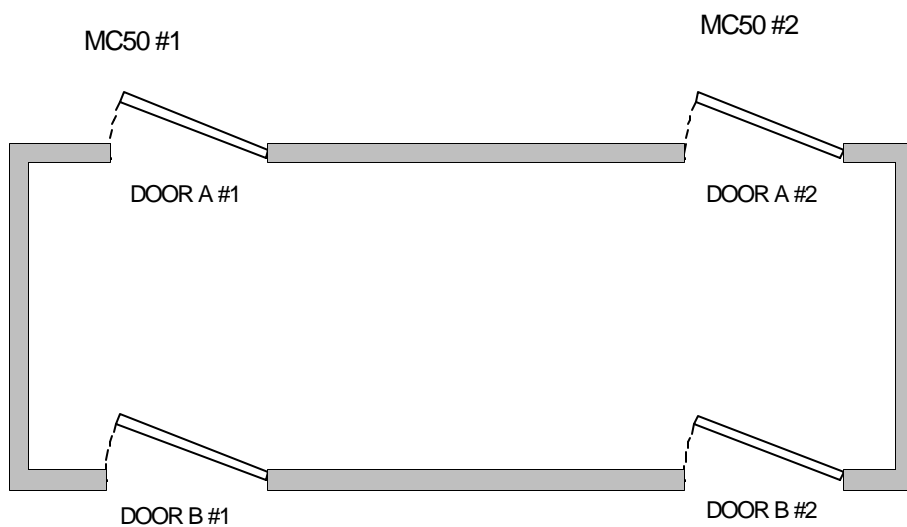


NOTE: WIRE OUTPUTS ON CONNECTOR 1 TO CORRESPONDING DOOR CONTROL.
DPS = DOOR POSITION SWITCH

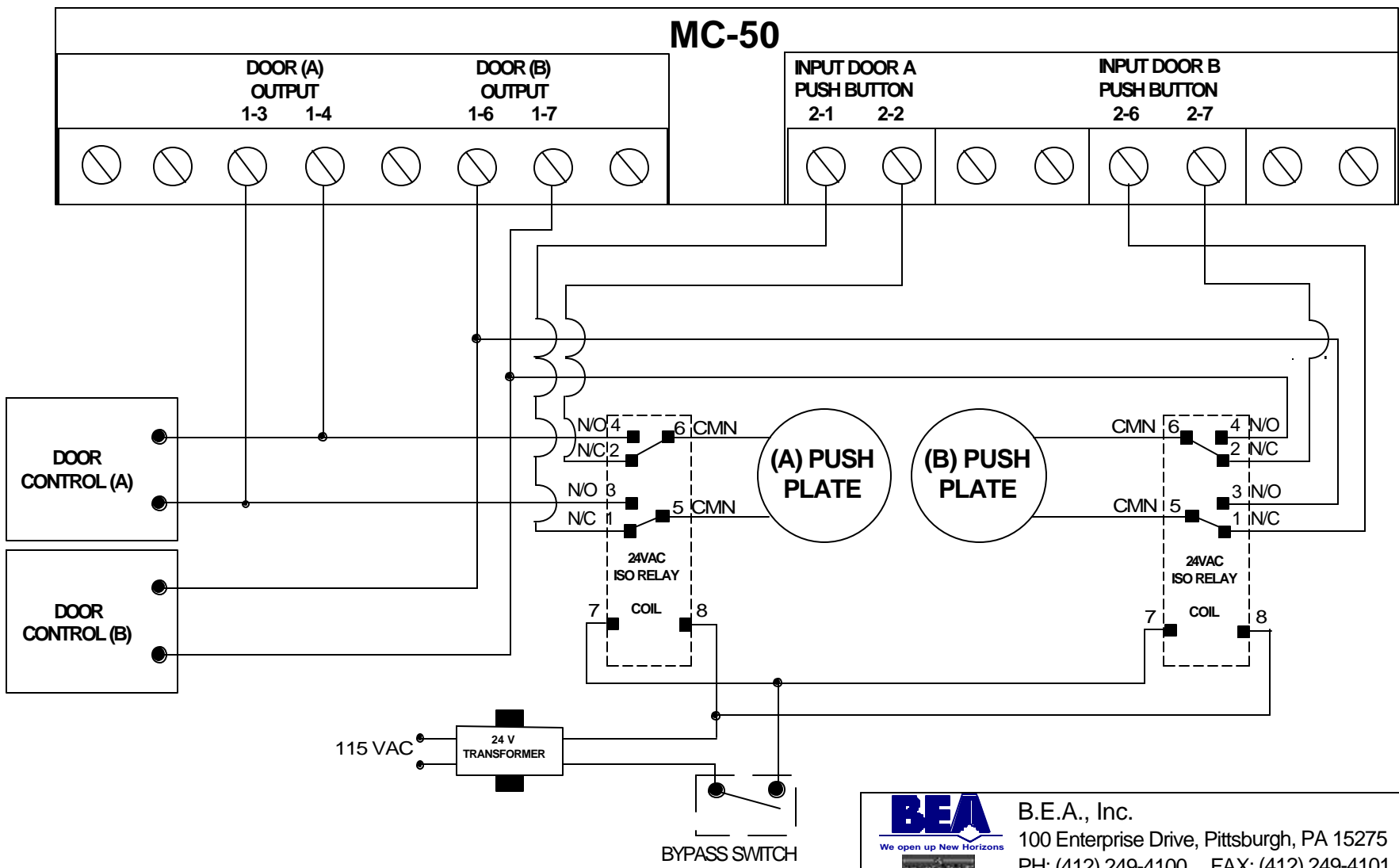


BEA B.E.A., Inc.
We open up New Horizons
100 Enterprise Drive, Pittsburgh, PA 15275
PH: (412) 249-4100 FAX: (412) 249-4101

TITLE: TWO MC50s INTERLOCKING 4 DOORS

SIZE: A	CAGE CODE:	DWGNO: 80.0008	FILE OF: ENG'G	DRAWN BY: JED	REV: 01
SCALE: NONE	DATE: 02 JAN 04	SHEET: 1 OF 1			

MC-50



NOTES: 1) WIRE PUSH PLATES COMMON AND NORMALLY OPEN.
 2) SYSTEM OPERATES IN THE INTERLOCK MODE WHEN BYPASS SWITCH IS OPEN.

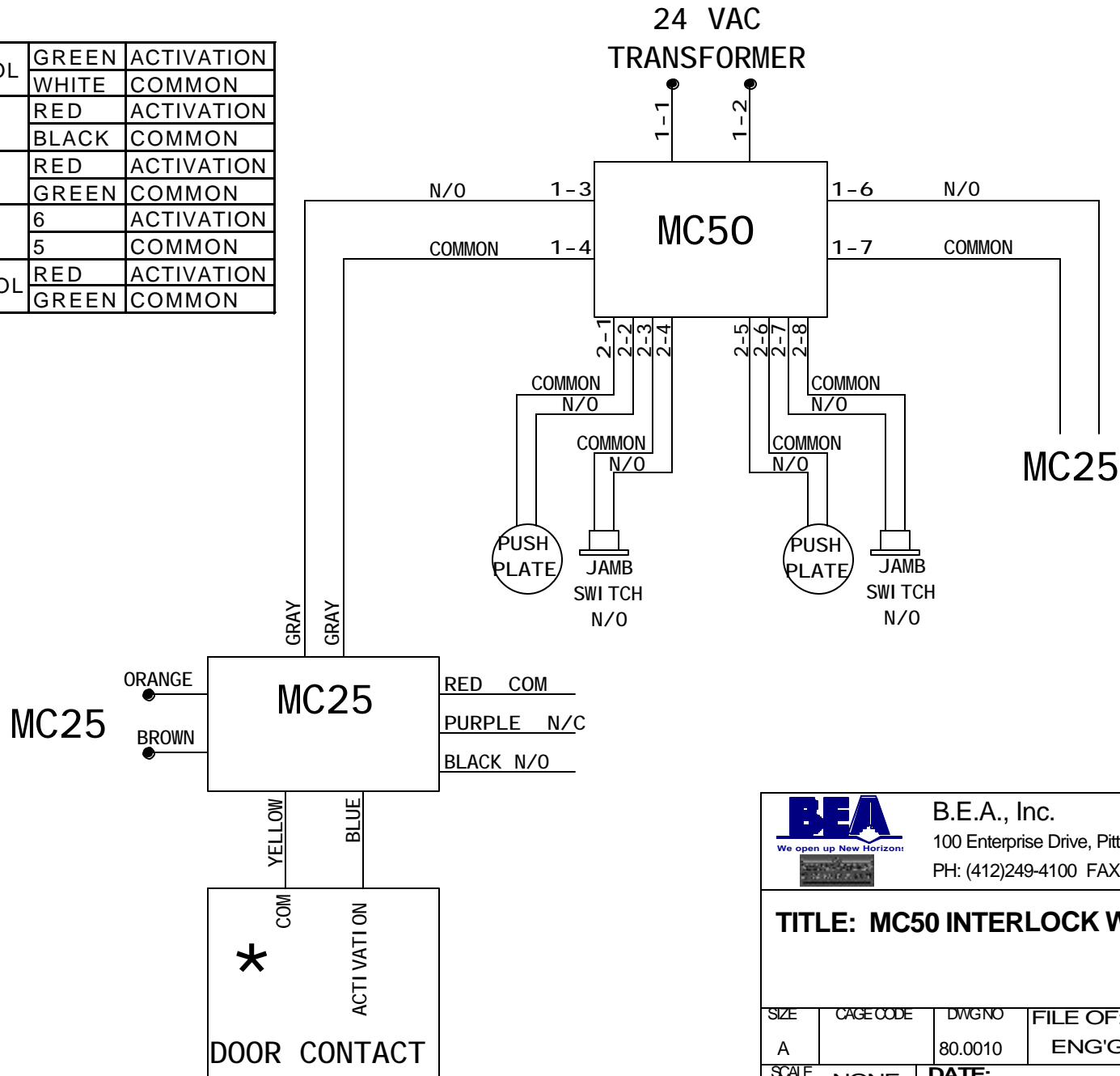
BEA B.E.A., Inc.
 We open up New Horizons
 100 Enterprise Drive, Pittsburgh, PA 15275
 PH: (412) 249-4100 FAX: (412) 249-4101

**TITLE: MC-50 WITH BYPASS SWITCH
 (NORMALLY BYPASSED)**

SIZE: A	CAGE CODE:	DWG NO: 80.0009	FILE OF: ENGG	DRAWN BY: JED	REV: 01
SCALE: NONE	DATE: 02 JAN 04		SHEET: 1 OF 1		

*

1	K CONTROL	GREEN	ACTIVATION
		WHITE	COMMON
5	AMR100	RED	ACTIVATION
		BLACK	COMMON
2	3100	RED	ACTIVATION
		GREEN	COMMON
4	3500	6	ACTIVATION
		5	COMMON
3	B' CONTROL	RED	ACTIVATION
		GREEN	COMMON

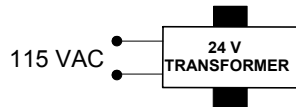
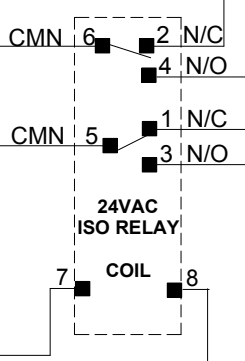
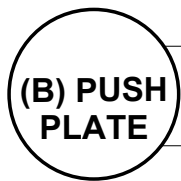
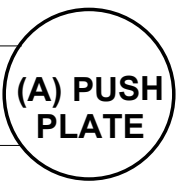
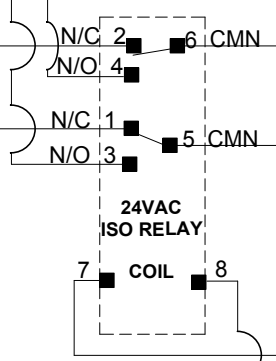
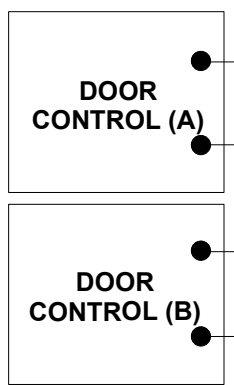
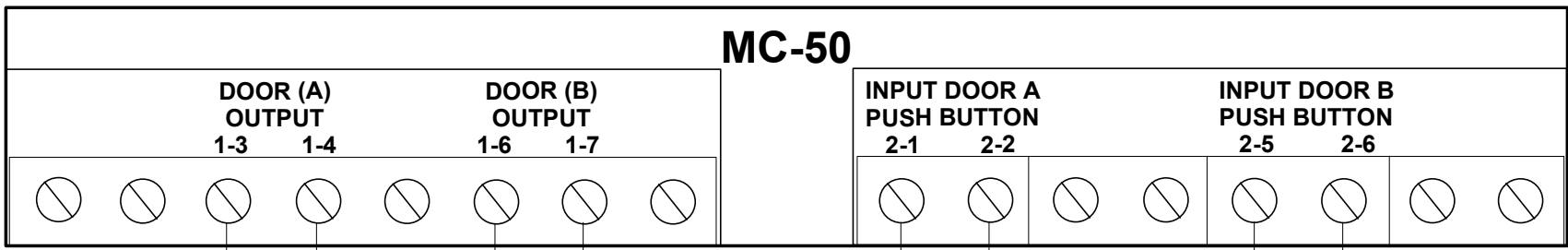


B.E.A., Inc.
 100 Enterprise Drive, Pittsburgh, PA 15275
 PH: (412)249-4100 FAX: (412)249-4101

TITLE: MC50 INTERLOCK W/ MC25

SIZE	CAGE CODE	DMGNO	FILE OF:	DRAWN BY:	REV
A		80.0010	ENG'G	JED	01
SCALE	NONE	DATE:	02 JAN 04	SHEET	1 OF 1

MC-50



BYPASS SWITCH

NOTES: 1) WIRE PUSH PLATES COMMON AND NORMALLY OPEN.
 2) SYSTEM WORKS INDEPENDENT MODE WHEN BYPASS SWITCH IS OPEN.

BEA
 We open up New Horizons
 HALMA GROUP COMPANY

B.E.A., Inc.
 100 Enterprise Drive Pittsburgh, PA 15275
 PH: (412) 249-4100 FAX: (412) 249-4101
www.beasensors.com

TITLE: MC-50 WITH BYPASS SWITCH

SIZE: A	CAGE CODE:	DWG NO: 80.0150	FILE OF: ENG'G	DRAWN BY: JED	REV: 01
SCALE: NONE	DATE: 05 JAN 04	SHEET: 1 OF 1			