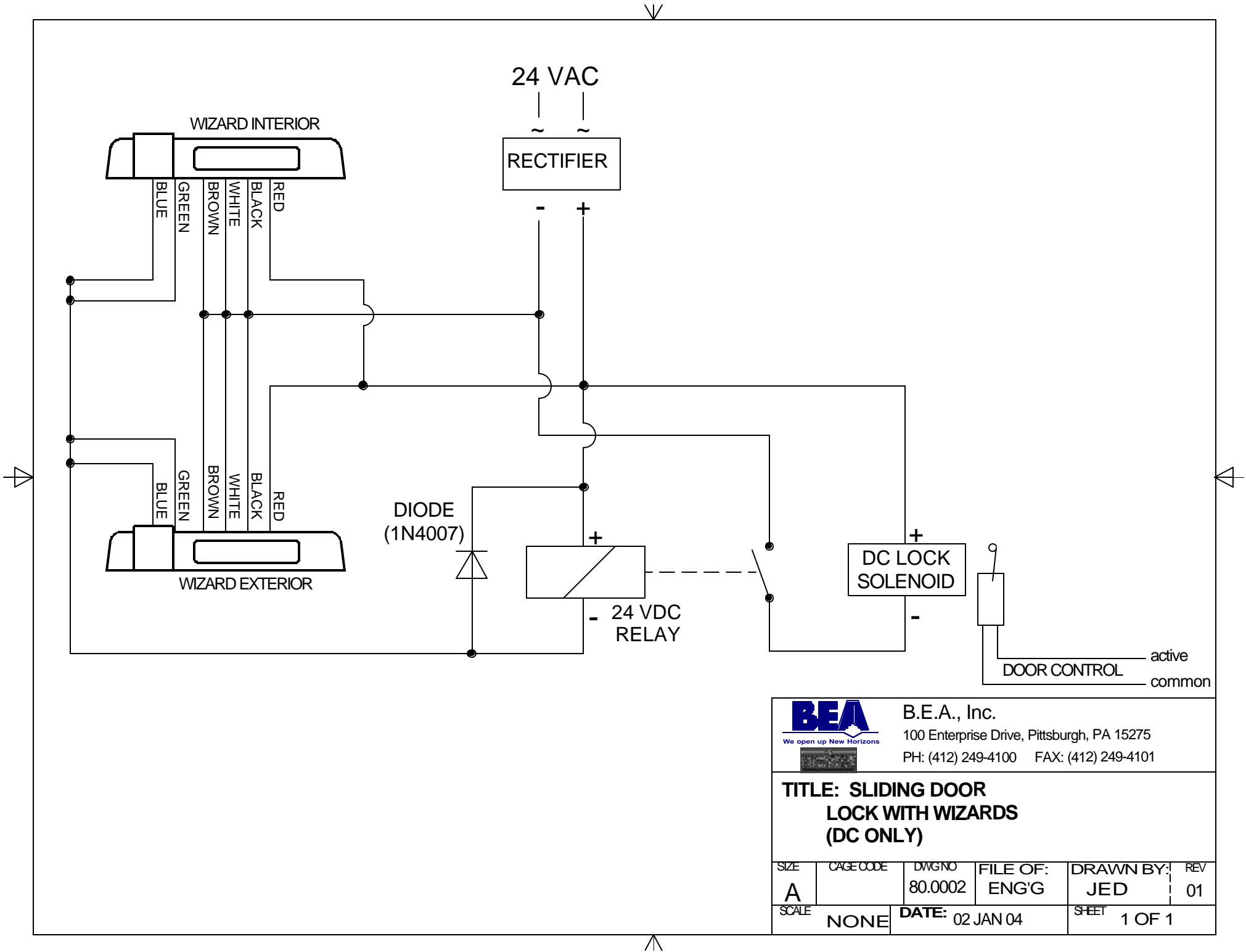


B.E.A., Inc.
 100 Enterprise Drive, Pittsburgh, PA 15275
 PH: (412) 249-4100 FAX: (412) 249-4101

**TITLE: SLIDING DOOR
 LOCK WITH WIZARDS
 (AC ONLY)**

SIZE A	CAGE CODE	DWG NO 80.0001	FILE OF: ENG'G	DRAWN BY: JED	REV 01
SCALE NONE	DATE: 02 JAN 04		SHEET 1 OF 1		

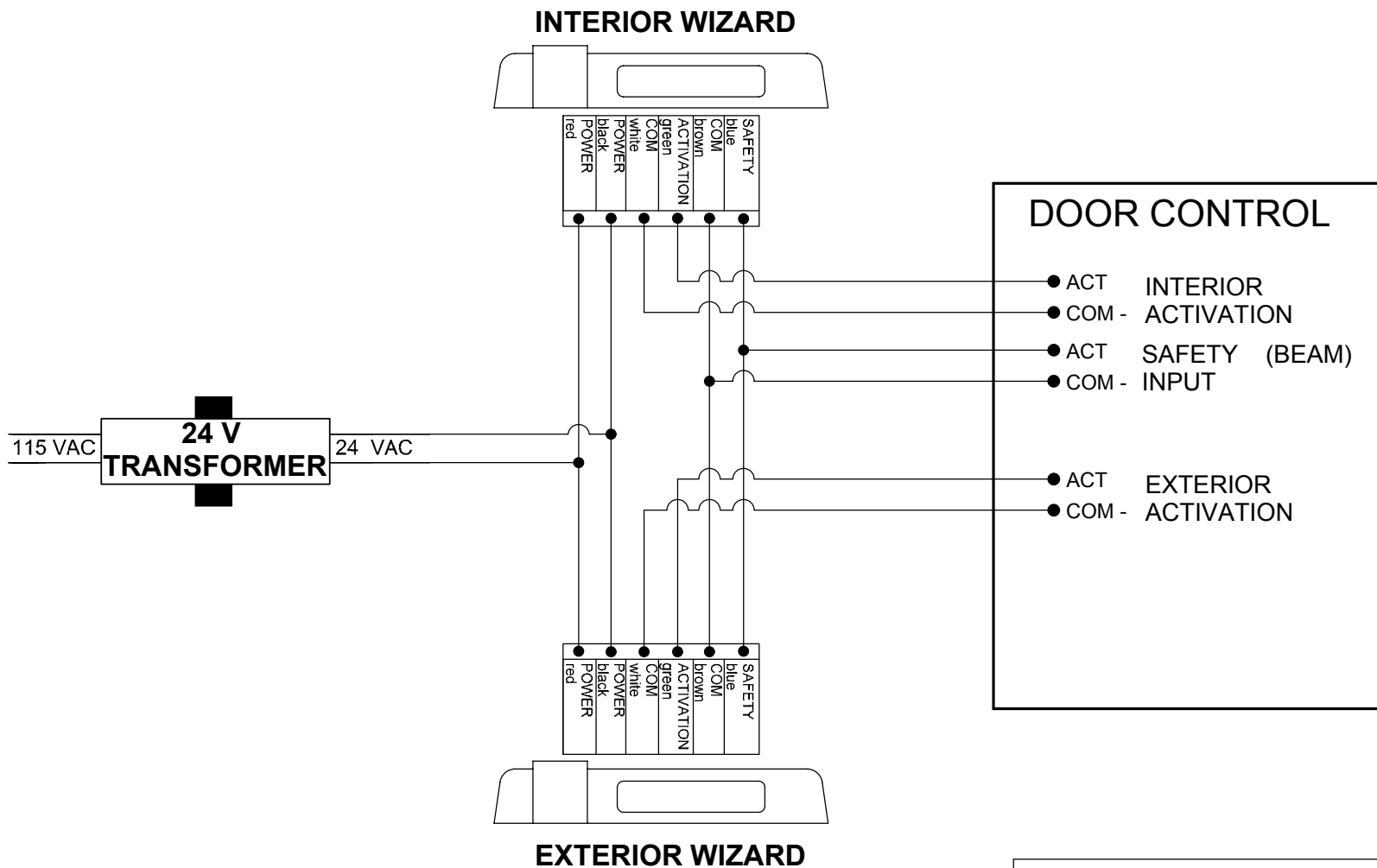


BEA
We open up New Horizons

B.E.A., Inc.
100 Enterprise Drive, Pittsburgh, PA 15275
PH: (412) 249-4100 FAX: (412) 249-4101

**TITLE: SLIDING DOOR
LOCK WITH WIZARDS
(DC ONLY)**

SIZE A	CAGE CODE	DWG NO 80.0002	FILE OF: ENG'G	DRAWN BY: JED	REV 01
SCALE NONE	DATE: 02 JAN 04		SHEET 1 OF 1		



NOTES: BROWN WIRE MUST BE CONNECTED TO GROUND OR COMMON

IF AFTER TROUBLESHOOTING A PROBLEM, A SATISFACTORY SOLUTION CANNOT BE ACHIEVED, PLEASE CALL B.E.A., INC. FOR FURTHER ASSISTANCE DURING EASTERN STANDARD TIME AT 1-800-523-2462 FROM 8AM - 5PM. FOR AFTER-HOURS, CALL EAST COAST: 1-866-836-1863 OR 1-800-407-4545 / MID-WEST: 1-888-308-8843 / WEST COAST: 1-888-419-2564. DO NOT LEAVE ANY PROBLEM UNRESOLVED. IF YOU MUST WAIT FOR THE FOLLOWING WORKDAY TO CALL B.E.A., LEAVE THE DOOR INOPERABLE UNTIL SATISFACTORY REPAIRS CAN BE MADE. NEVER SACRIFICE THE SAFE OPERATION OF THE AUTOMATIC DOOR OR GATE FOR AN INCOMPLETE SOLUTION. WEB: WWW.BEASENSORS.COM

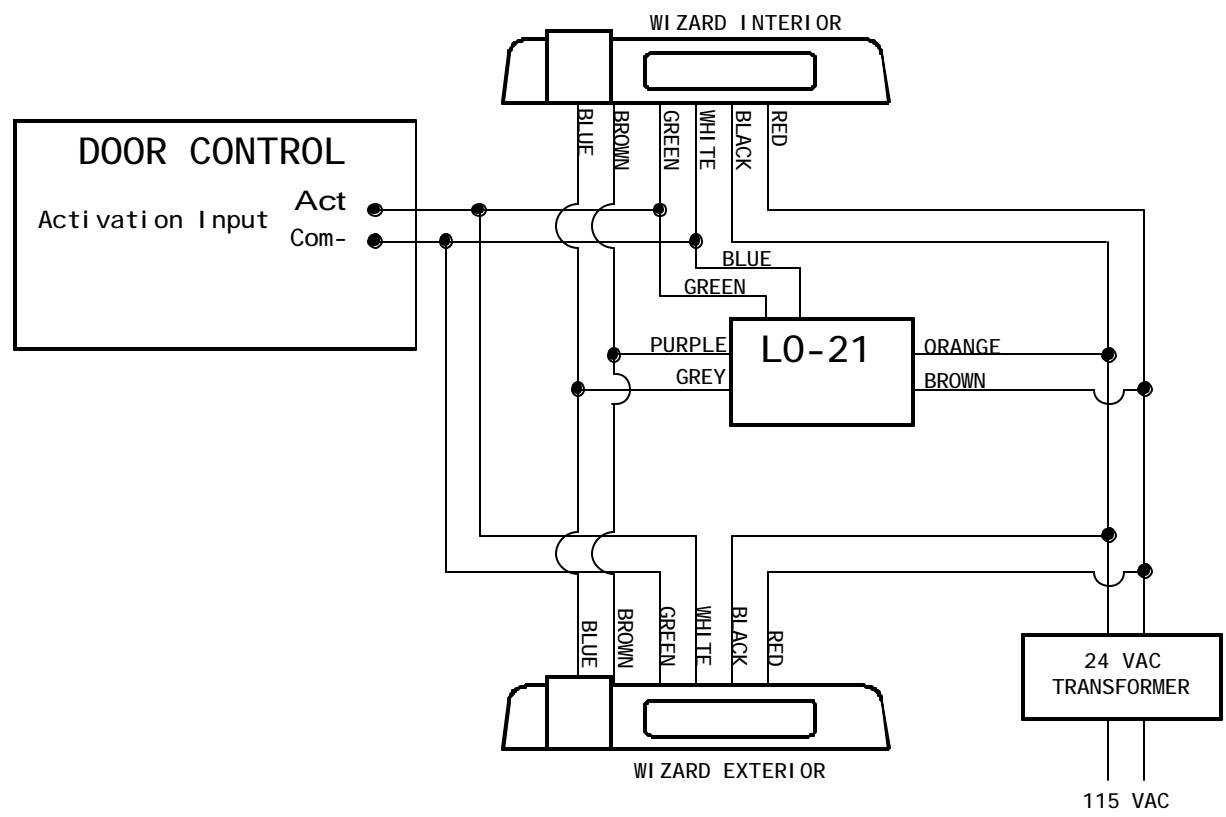


100 ENTERPRISE DRIVE
 PITTSBURGH, PA 15275
 PHONE: (412) 249-4100
 FAX: (412) 249-4101
 EMAIL: www.beasensors.com

**TITLE: WIZARD SYSTEM WITH
 MOTION & PRESENCE
 SEPARATED**

SIZE: A	DRAWN BY: KJG	REV BY: JEG	PART NO: 80.0003.02
	SCALE: NONE	DATE: 17 APR 2005	SHEET 1 OF 1

MOTION AND PRESENCE PARALLELED



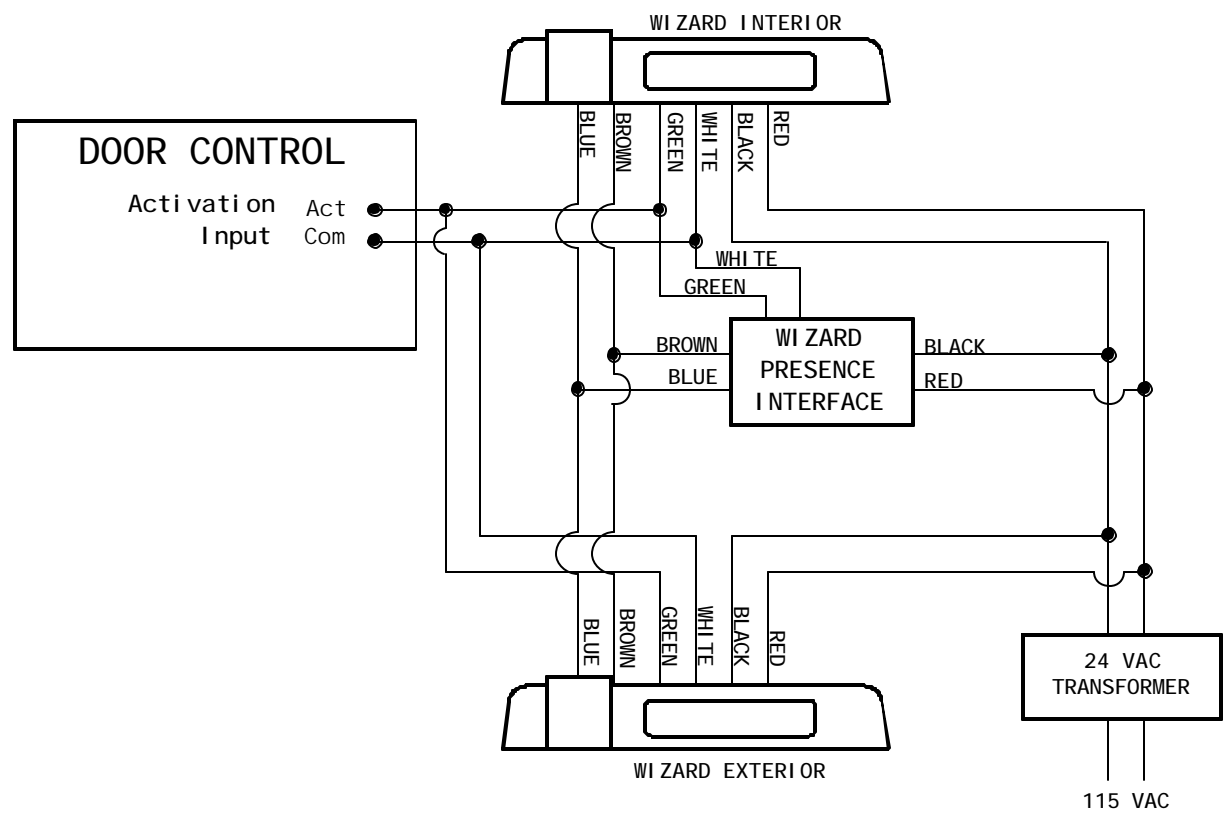
BEA
We open up New Horizons

B.E.A., Inc.
100 Enterprise Drive, Pittsburgh, PA 15275
PH: (412) 249-4100 FAX: (412) 249-4101

TITLE: WIZARD SYSTEM WITH OLD STYLE ANALOG CONTROL BOXES HORTON 2160/ GYRO-TECH/ KM SYSTEMS

SIZE	CAGE CODE	DMGNO	FILE OF:	DRAWN BY:	REV
A		80.0004	ENG'G	JED	01
SCALE	DATE		SHEET		
NONE	02 JAN 04		1 OF 1		

MOTION AND PRESENCE PARALLELED



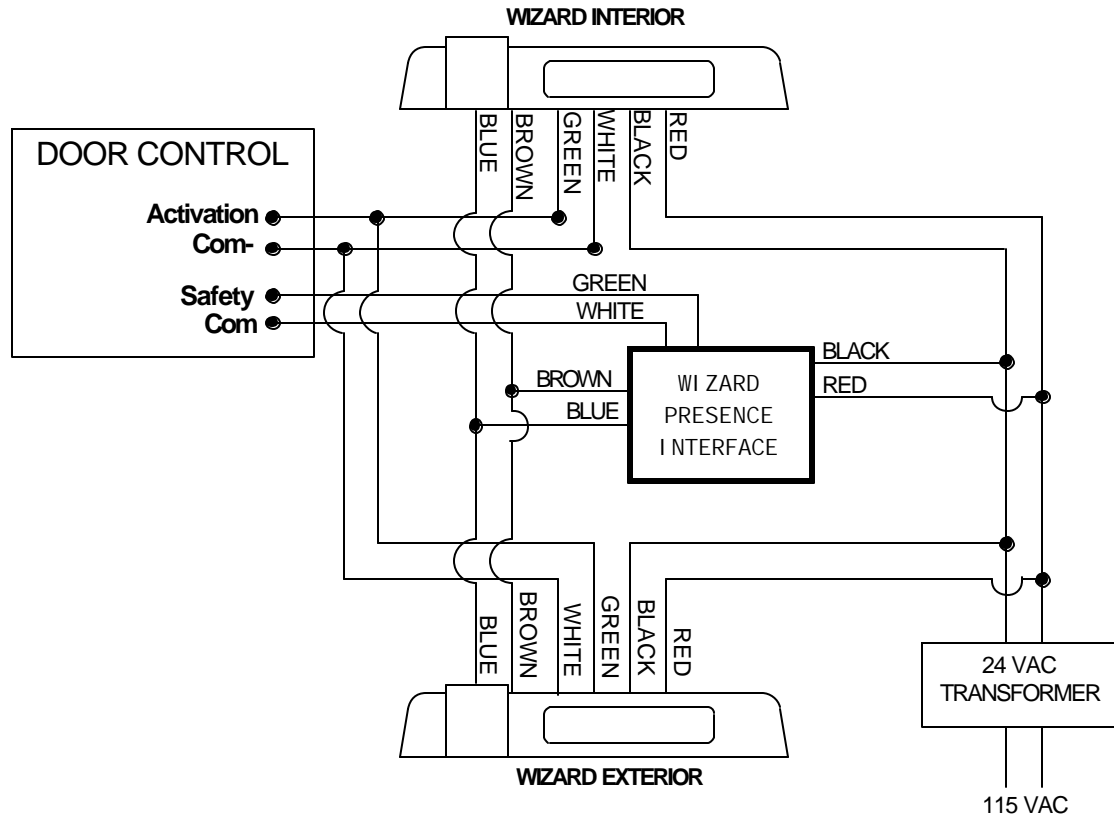
BEA
We open up New Horizons

B.E.A., Inc.
100 Enterprise Drive, Pittsburgh, PA 15275
PH: (412) 249-4100 FAX: (412) 249-4101

**TITLE: RETROFIT WIZARD SYSTEM
W/INTERFACE FOR ANALOG DOOR CONTROLS**

SIZE	CAGE CODE	DMGNO	FILE OF:	DRAWN BY:	REV
A		80.0005	ENG'G	JED	01
SCALE	DATE:		SHEET:		
NONE	02 JAN 04		1 OF 1		

MOTION AND PRESENCE SEPARATED



B.E.A., Inc.
 100 Enterprise Drive, Pittsburgh, PA 15275
 PH: (412) 249-4100 FAX: (412) 249-4101

**TITLE: WIZARD SYSTEM WITH
 INTERFACE FOR ANALOG DOOR CONTROLS
 MOTION & PRESENCE SEPERATED**

SIZE	CAGE CODE	DWGNO	FILE OF:	DRAWN BY:	REV
A		80.0006	ENG'G	JED	01
SCALE	DATE: 02 JAN 04		SHEET 1 OF 1		