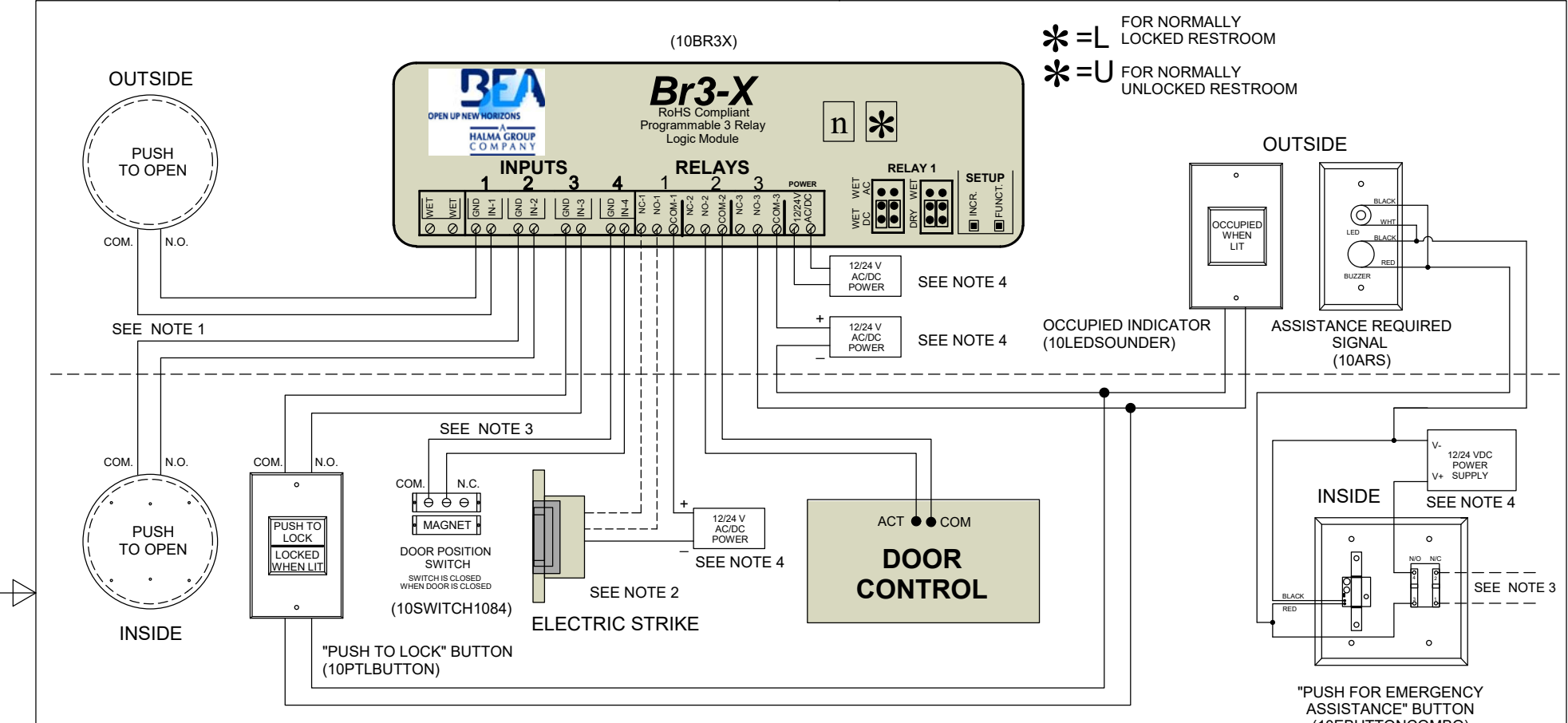


(10BR3X)

* = L FOR NORMALLY LOCKED RESTROOM
* = U FOR NORMALLY UNLOCKED RESTROOM



- 1) FOR INPUTS 1 & 2 ANY "DRY" CONTACT ACTIVATION DEVICE MAY BE USED.
- 2) FAIL SAFE FOR NORMALLY UNLOCKED (WIRE N.O.)
FAIL SECURE FOR NORMALLY LOCKED (WIRE N.C.)
- 3) CONNECT IN SERIES WITH DOOR POSITION SWITCH WHEN USED WITH BR3-X RESTROOM CONTROL MODULE
- 4) ONE POWER SUPPLY CAN BE USED TO POWER ALL DEVICES.
- 5) KIT DOES NOT INCLUDE POWER SUPPLY, PUSH PLATES, ELECTRIC STRIKE OR DOOR CONTROL

NOTES:

Upon completion of the installation or service work, at a minimum, perform a daily safety check in accordance with the minimum inspection guidelines provided by AAADM. Provide each equipment owner with an owner's manual that includes a daily safety checklist and contains, at a minimum, the information recommended by AAADM. Offer an information session with the equipment owner explaining how to perform daily inspections and point out the location of power/operation switches to disable the equipment if a compliance issue is noted. The equipment should be inspected annually in accordance with the minimum inspection guidelines. A safety check that includes, at a minimum, the items listed on the safety information label must be performed during each service call. If you are not an AAADM certified inspector, BEA strongly recommends you have an AAADM certified inspector perform an AAADM inspection and place a valid inspection sticker below the safety information label prior to putting the equipment into operation.

**IN THE EVENT OF AN EMERGENCY
PUSH EMERGENCY BUTTON
AND AUDIBLE AND VISUAL SIGNAL
WILL ACTIVATE**

EMERGENCY SIGNAGE (70.5675)

BEA
OPEN UP NEW HORIZONS
A HALMA GROUP COMPANY

100 ENTERPRISE DRIVE
PITTSBURGH, PA 15275
PHONE: (412) 249-4100
FAX: (412) 249-4101
EMAIL: www.beasensors.com

**TITLE: Br3-X RESTROOM KIT/
EMERGENCY ADD ON KIT
(NORMALLY LOCKED & UNLOCKED)**

SIZE:	DRAWN BY:	REV BY:	PART NO:
A	WJR		80.0397.00
	SCALE:	DATE:	SHEET
	NONE	14 MARCH 2017	1 OF 1

24/7 Tech Support: 1-800-407-4545 | Customer Service: 1-800-523-2462 |
General Tech Questions: Tech_Services@beainc.com | Tech Docs: www.beasensors.com