

## BEA Architectural Specification Sheet Automatic and Industrial Door Solutions: LZR-i30

### Product Specifications

LZR-i30 - Time of Flight Laser Range Finding Door Safety Sensor designed to detect people and equipment. Sensor Mounted near the upper corner of the door to provide full door protection up to 30ft. x 30ft. (360 in. X 360 in.) (914.4 cm x 914.4 cm). Contains four adjustable detection fields that can be set by the inch. Fields can be set as low as 2 in. (5.08 cm) above the floor if needed. Sensor has the ability to detect objects as small as 2 in. (5.08 cm) (Cat 2 Safety) and is monitoring ready. Sensor has separate relay outputs for detection fields and visual set up assistance. Programming uses remote for set up. Housed in NEMA 4 Enclosure and utilizes 12-35V DC Power.

### Product Image and Application Photo



BEA Inc.  
RIDC Park West  
100 Enterprise Drive  
Pittsburgh, PA 15275-1213

Phone: 1.800.523.2462  
Fax: 1.888.523.2462



Member  
AAADM American Association of  
Automatic Door Manufacturers

A HALMA COMPANY



### Technical Specs:

<b>Technology</b>	LASER scanner, time-of-flight measurement
<b>Detection Mode</b>	Presence (EN 12453 Typ. E)
<b>Max. Detection Range</b>	30 ft. x 30ft. 360 in. x 360 in. (914.4 cm x 914.4 cm)
<b>Remission Factor</b>	> 2%
<b>Emission Characteristics</b> IR LASER Red Visible LASER	Wavelength 905nm; maximum output pulse power 75W Wavelength 650nm; maximum output CW power 3mW
<b>Supply Voltage</b>	12 – 35 VDC @ Sensor Terminal
<b>Peak Current at Power-On</b>	1.8 A (Max. 80 ms @ 35 V)
<b>Power Consumption</b>	< 5W
<b>Response Time</b>	Min 20ms; Max 80ms
<b>Output</b> Max. Switching Voltage Max. Switching Current	2 electronic relays (galvanic isolated – polarity free) 35V DC / 24V AC 80 mA ( resistive )
<b>LED-Signal</b>	1 Blue LED:

<b>Material</b>	PC/ASA
<b>Color</b>	Black
<b>Rotation Angle on Bracket</b>	±5° (Lockable)
<b>Tilt Angle on Bracket</b>	±3°
<b>Degree of Protection</b>	IP65 / NEMA 4
<b>Temperature Range</b>	-22°F to 140°F if powered (-30°C to 60°C)
<b>Humidity</b>	0–95% non-condensing
<b>Vibrations</b>	< 2G
<b>Pollution on Front Screens</b>	Max. 30% ; Homogenous
<b>Norm</b>	2006/95/EC: LVD;

BEA Inc.  
RIDC Park West  
100 Enterprise Drive  
Pittsburgh, PA 15275-1213

Phone: 1.800.523.2462  
Fax: 1.888.523.2462



Member  
American Association of  
Automatic Door Manufacturers

A HALMA COMPANY



	Status « Power-on » 1 Orange LED: Status « Error » 2 Bi-colored LEDs: Status « Detection / Output »	<b>Conformity</b> 2002/95/EC : RoHS; EN 60825-1; EN 61000-6-1: EMC-Commercial Level; EN 61000-6-2: EMC - Industrial level; 9.9 < 1999/5/EC: R&TTE; 2004/108/EEC: EMC; 2006/42/EC: MD EN 60950-1; EN 60529; IEC 60825; EN ISO 13849-1 Performance Level “c”, CAT 2; EN 12445; EN 12453 Typ E
<b>Dimensions (WxLxH)</b>	4.92 in x 3.66 in x 2.76 in (12.5 cm x 9.3 cm x 7 cm) Mounting Bracket (10LBA) adds ½”	
<b>Cable Length</b>	360 in. (914.4 cm) (30 ft.)	

**BEA Inc.**  
 RIDC Park West  
 100 Enterprise Drive  
 Pittsburgh, PA 15275-1213

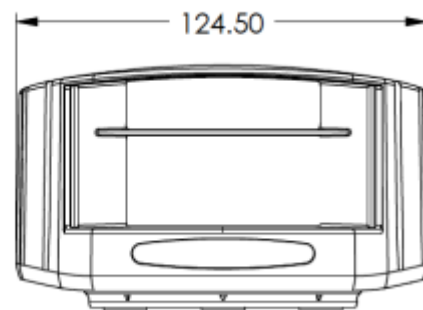
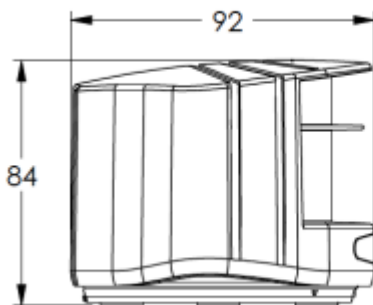
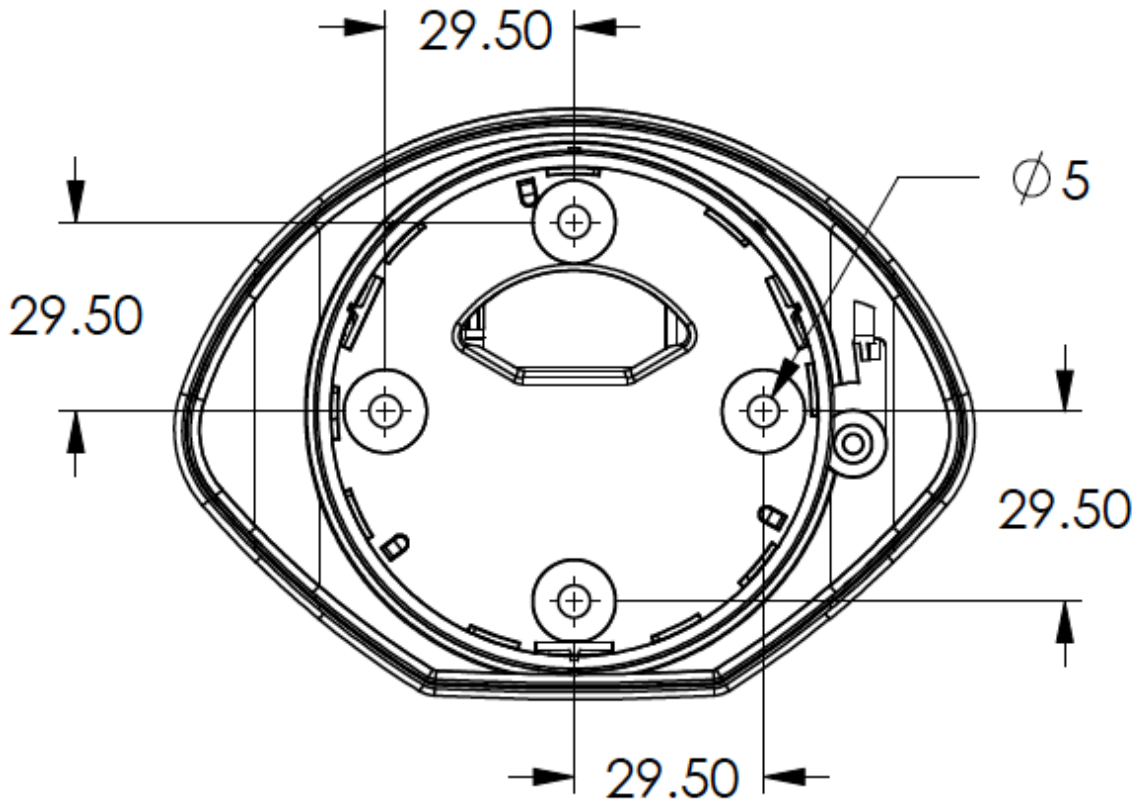
Phone: 1.800.523.2462  
 Fax: 1.888.523.2462



Member  
**AAADM** American Association of  
 Automatic Door Manufacturers

A HALMA COMPANY

**Dimensions:**



**BEA Inc.**  
 RIDC Park West  
 100 Enterprise Drive  
 Pittsburgh, PA 15275-1213

Phone: 1.800.523.2462  
 Fax: 1.888.523.2462



**AAADM** Member  
 American Association of  
 Automatic Door Manufacturers

A HALMA COMPANY