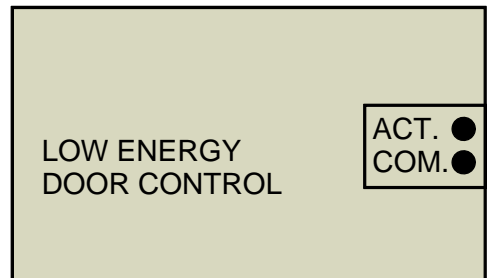
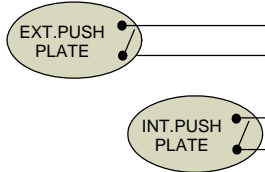
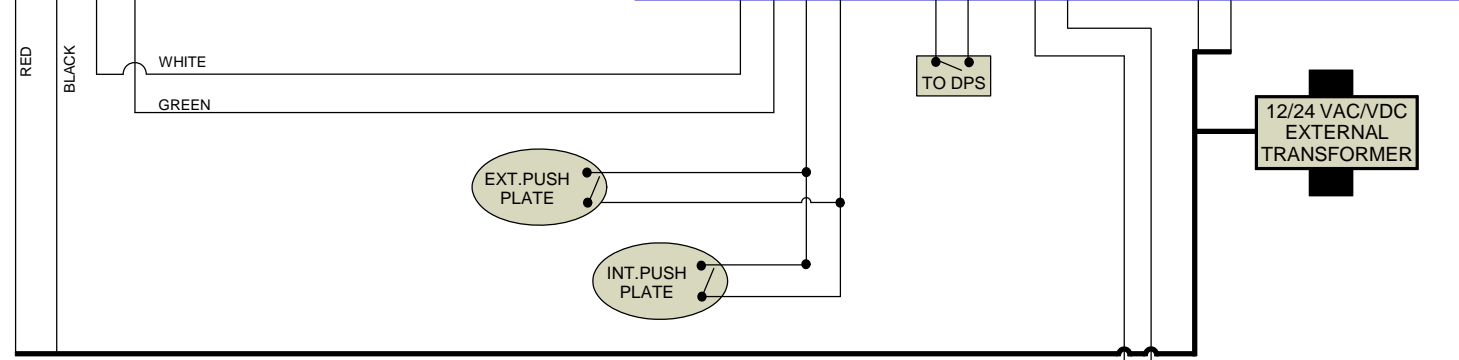


Input 1 is for Superscan Com/N.O. Output.
Input 2 is for push plate Com/N.O. Output

Inputs 4 is for the door position switch.
Switch is closed when door is closed.


MC-LINX1

2 1



- NOTES:**
- 1) POWER MCLINX, SUPERSCAN VIA EXTERNAL POWER SOURCE. OR CONSULT BEA INC. TECHNICAL SUPPORT.
 - 2) DPS (door position switch), SHALL CLOSE WHEN DOOR CLOSSES.
 - 3) ENSURE COMPLIANCE WITH THE CURRENT ANSI 156.19 STANDARD.

IF AFTER TROUBLESHOOTING A PROBLEM, A SATISFACTORY SOLUTION CANNOT BE ACHIEVED, PLEASE CALL B.E.A., INC. FOR FURTHER ASSISTANCE DURING EASTERN STANDARD TIME AT 1-800-523-2462 FROM 8AM - 5PM. FOR AFTER-HOURS, CALL EAST COAST: 1-866-836-1863 OR 1-800-407-4545 / MID-WEST: 1-888-308-8843 / WEST COAST: 1-888-419-2564. DO NOT LEAVE ANY PROBLEM UNRESOLVED. IF YOU MUST WAIT FOR THE FOLLOWING WORKDAY TO CALL B.E.A., LEAVE THE DOOR INOPERABLE UNTIL SATISFACTORY REPAIRS CAN BE MADE. NEVER SACRIFICE THE SAFE OPERATION OF THE AUTOMATIC DOOR OR GATE FOR AN INCOMPLETE SOLUTION. WEB: WWW.BEASENSORS.COM



100 ENTERPRISE DRIVE
PITTSBURGH, PA 15275
PHONE: (412) 249-4100
FAX: (412) 249-4101
EMAIL: www.beasensors.com

**LOW ENERGY APPLICATION
KNOWING ACT, MCLINX1,
SUPERSCAN, DPS**

SIZE:	DRAWN BY:	REV BY:	PART NO:
A	JED	EOF	80.0276.01
	SCALE:	DATE:	SHEET
	NONE	06 AUG, 2007	1 OF 1